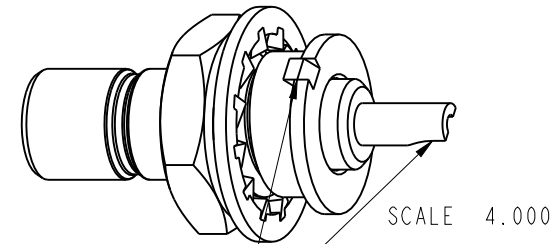


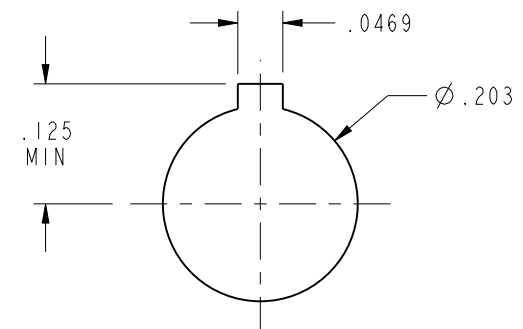
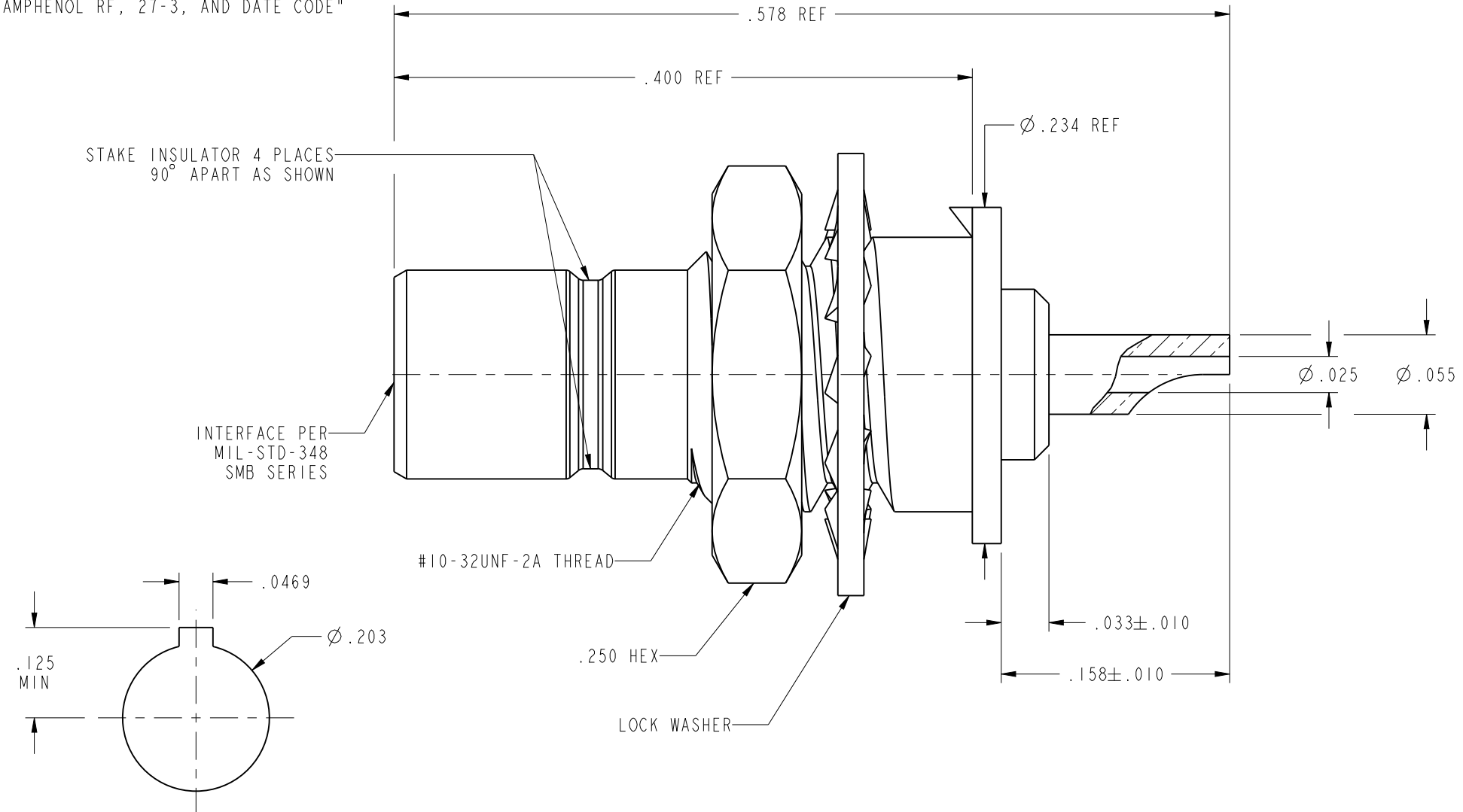
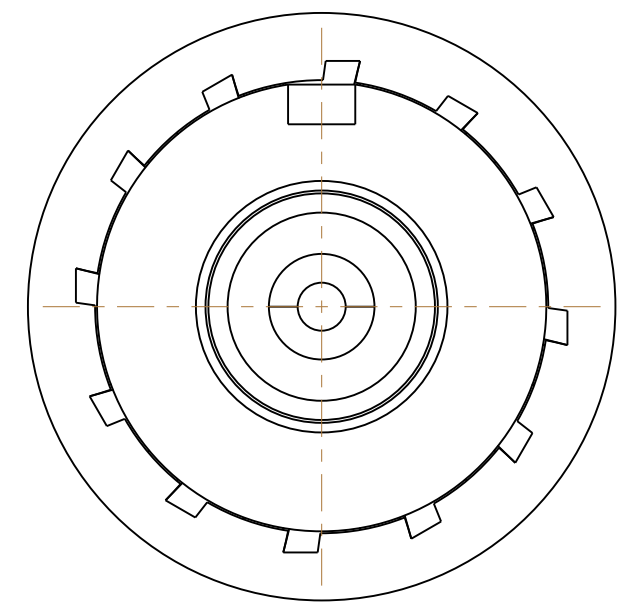
NOTES:

1. MATERIALS AND FINISHES:
 BODY - BRASS, GOLD PLATING
 CONTACT - BRASS, GOLD PLATING
 LOCKWASHER = PHOSPHOR BRONZE, GOLD PLATED
 INSULATOR - PTFE
2. ELECTRICAL:
 A. IMPEDANCE: 50 OHM
 B. FREQUENCY RANGE: DC - 6 GHz
 C. DIELECTRIC WITHSTANDING VOLTAGE: 1000 VRMS, MIN.
3. MECHANICAL:
 A. DURABILITY: 500 CYCLES MIN.
 B. TEMPERATURE RANGE: -65° C TO +165° C
4. PACKAGING:
 A. QUANTITY: SINGLE PACK
 B. MARKING: BAG TO BE MARKED
 "AMPHENOL RF, 27-3, AND DATE CODE"

27-3		REVISIONS			
DRAWING NO.	REV	DESCRIPTION	DATE	ECO	APPR
THIRD ANGLE PROJ.	--	RELEASE TO MFG.	3/22/64	3668	
	T	SEE SHEET I	10/31/90	43528	CPM
	U	REFER SHEET I	8/19/2009	47670	NMV
	V	SEE SHEET I	10/27/09	47856	TRC
	W	INSULATOR PTFE WAS TFE	3/21/11	48472	MJN



ORIENT CONTACT TO BODY AS SHOWN ±5°



RECOMMENDED MOUNTING HOLE DIMENSIONS
 SCALE 5.000

CUSTOMER OUTLINE DRAWING
 ALL OTHER SHEETS ARE FOR INTERNAL USE ONLY

UNLESS OTHERWISE SPECIFIED, DIMENSIONS ARE IN INCHES AND TOLERANCES ARE: 2 PLACE DECIMAL ±.015 (0,381 mm) 3 PLACE DECIMAL ±.005 (0,127 mm) ANGLES ± 1°	MATERIAL SEE NOTES	DRAWN C. McGRATH	DATE 04-Oct-00	TITLE SMB JACK RECEPTACLE	Amphenol RF Danbury, CT, USA Tainan, Taiwan Shenzhen, China www.amphenolrf.com	
	REFERENCE GEN# ASSYF14_SMB	ENGINEER P. BRENZEL	DATE 04-Oct-00			
NOTICE - These drawings, specifications, or other data (1) are, and remain the property of Amphenol Corp. (2) must be returned upon request; and (3) are confidential and not to be disclosed to any person other than those to whom they are given by Amphenol Corp. The furnishing of these drawings, specifications, or other data by Amphenol Corp., or to any other person to anyone for any purpose is not to be regarded by implication or otherwise in any manner licensing, granting rights or permitting such holder or any other person to manufacture, use or sell any product, process or design, patented or otherwise, that may in any way be related to or disclosed by said drawings, specifications, or other data.		APPROVED K. CAPOZZI	DATE 8/19/09			
		CAD FILE I:\SMB\27-3	CODE ID 74868	DWG SIZE B	DRAWING NO. 27-3	REV W
					SCALE: 10.0:1	SHEET 2 OF 2