

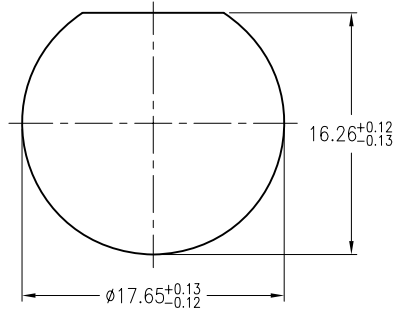
NOTES:

1. MATERIALS AND FINISHES
 BODY - BRASS, NICKEL PLATING
 CONTACT - BERYLLIUM COPPER, SILVER PLATING
 INSULATOR - TEFLON
2. ELECTRICAL:
 A. IMPEDANCE: 50 OHM

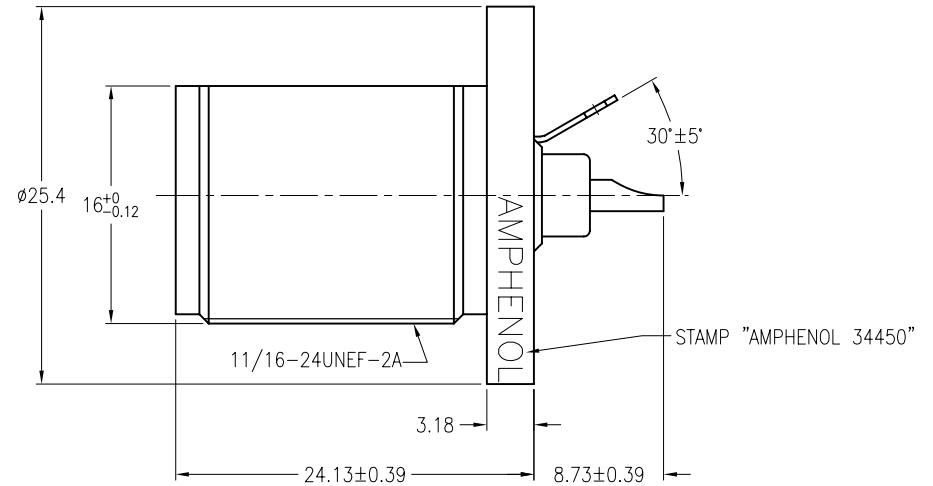
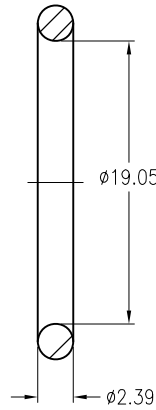
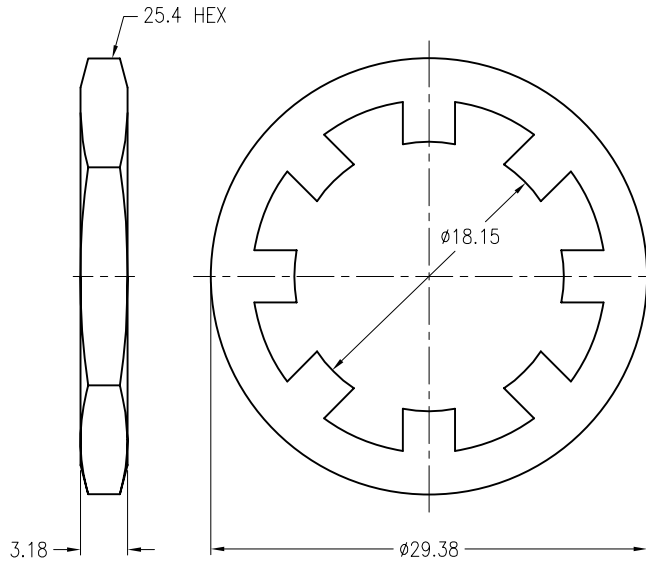
THIRD ANGLE PROJ.

REVISIONS

REV	DESCRIPTION	DATE	ECO	APPR
A1	SEE SHEET 1	18-Apr-03	--	TOM
J	REDRAWN TO UPDATE FORMAT \ RD-DM09071601K	3-Aug-09	47655	SH



RECOMMENDED MOUNTING HOLE



CUSTOMER OUTLINE DRAWING

ALL OTHER SHEETS ARE FOR INTERNAL USE ONLY

UNLESS OTHERWISE SPECIFIED, DIMENSIONS ARE IN METRIC AND TOLERANCES ARE:
 0.5 - 6mm ±0.1mm 6 - 30mm ±0.2mm 30 - 120mm ±0.3mm ANGLES ±1°

NOTICE - These drawings, specifications, or other data (1) are, and remain the property of Amphenol Corp. (2) must be returned upon request; and (3) are confidential and not to be disclosed to any person other than those to whom they are given by Amphenol Corp. The furnishing of these drawings, specifications, or other data by Amphenol Corp., or to any other person to anyone for any purpose is not to be regarded by implication or otherwise in any manner licensing, granting rights or permitting such holder or any other person to manufacture, use or sell any product, process or design, patented or otherwise, that may in any way be related to or disclosed by said drawings, specifications, or other data.

MATERIAL	DRAWN	K.LI	DATE	21-Jul-09	TITLE	Amphenol RF			
	ENGINEER	N.CAO	DATE	22-Apr-03		TRIAXIAL RECEPTACLE	Danbury CT USA, Tainan Taiwan, Shenzhen China www.amphenolrf.com		
	APPROVED	A.CHEN	DATE	21-Jul-09			DRAWING NO.	34450	
	REFERENCE	CAD FILE	F:\DWG\CNPD\34450-JSZ			SCALE: 2/1	SHEET 2 OF 2	ITEM NO.	34450
FINISH				DWG SIZE	CODE ID	REV	PART NO.	34450	
			B	74868	J				