

CombiCard® 5000-7000

Modular Instrumentation Enclosure System



For Finishing Services, Product Support, or to Order

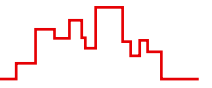
Call 1-301-696-9800

CombiCard® 5000-7000



The modular construction of this innovative enclosure ensures that the demands made of a future-orientated enclosure system are satisfied in the best possible way. Variable widths and depths, ingress protection IP 66 and access protection which can be defined – these are just a few of the excellent facilities provided by this enclosure.

The hinge system design and the possibility of installing prefabricated mounting racks minimize the assembly times. The double clamp area permits easy, clean wiring with a large number of cable entries.



Enclosure material:ABS, polycarbonate (only FD...G).

For technical data see pages 646-651.

Color: Fronts and bases light gray, similar to RAL 7035; front lid in G-version clear; side covers light gray, similar to RAL 7035; rear parts agate gray, similar to RAL 7038. Special colors at minimum order quantities on request.

Ingress protection: IP 66 (IP 30 with ventilation) / DIN EN 60529).

Definable access protection:

The integrated quick-release fastening allows left-hand or right-hand opening between every system part. Each hinged quick-release fastening can be protected against unauthorized access by lock bolts or lead seals. The optimal way to close the front lids is by using a cylinder catch.

Enclosure variants:

Front, base and rear parts can be combined in a basic size in any way required – also without bases. If the units are of sufficient size, the bases can be positioned with ventilation according to the convection requirements.

Accessories (additional charge):

See product pages.

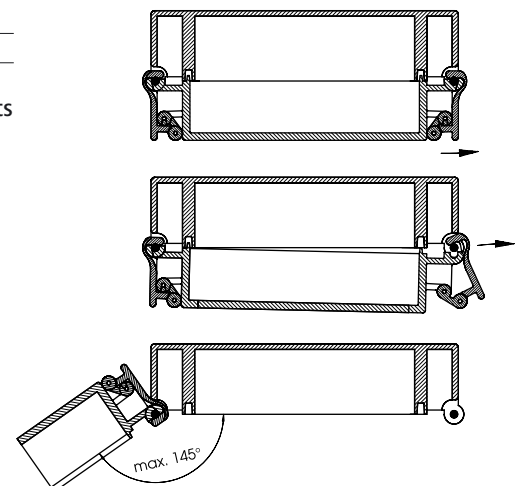


◀ Control panel mounting model for Combicard® 6000 enclosure system consisting of FD 6000 G, BC 6000 NG, BC 6000, FD 6000 and BC 6000 NG-AP.

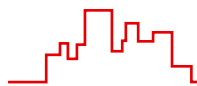
Patented hinged quick-release fastening with a maximum opening angle of 145°.

Dimensions:

Model	Front length	Front height	Depth
5000	175.7	146.7	corresponding to the combined system parts
6000	226.5	146.7	
7000	323.0	146.7	



Z-2101917



CombiCard 5000-7000 system components

Front lids, clear

Order designation

Model	Order no.
FD 5000	79002800
FD 6000	79002900
FD 7000	79003000
FD 5000 G	79003100
FD 6000 G	79003200
FD 7000 G	79003300

G = clear

Accessories (additional charge)

Model	Order no.	Designation
SHLO-302	21008310	Cylinder catch *3
VA 5670	79005300	Lock cover

Scope of delivery:

Front lid with seal,
2 mounted locks,
1 blind plug *1 – to close the lock
opening on the opening side,
1 catch *2 – to close the lock opening and
one-time definition of the hinge side on
the front lid.

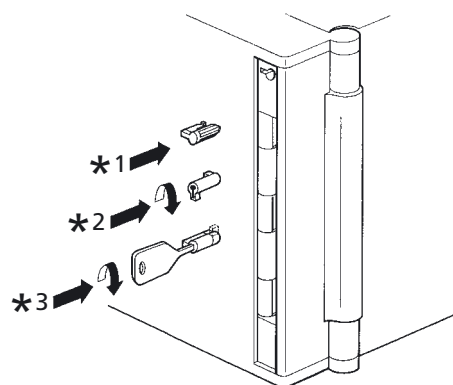


Table of dimensions

Model	B1	B2	B3
FD 5000 (G)	175.7	131.8 ^{+0.5} _{-0.5}	129.1 / 128.6
FD 6000 (G)	226.5	182.6 ^{+0.6} _{-0.3}	179.9 / 179.4
FD 7000 (G)	323.0	279.1 ^{+1.0} _{-0.5}	276.4 / 275.9

Clear or light gray (similar to RAL 7035) front lid with **integrated hinged quick-release fastenings**. There is a 1 mm deep offset area for membrane keypads in the front area.

Front frames, closed

Order designation

Model	Order no.
FR 5000	79003700
FR 6000	79003800
FR 7000	79003900

Accessory (additional charge)

Model	Order no.	Designation
SV 5670	79005400	Hinged fastening

Scope of delivery:

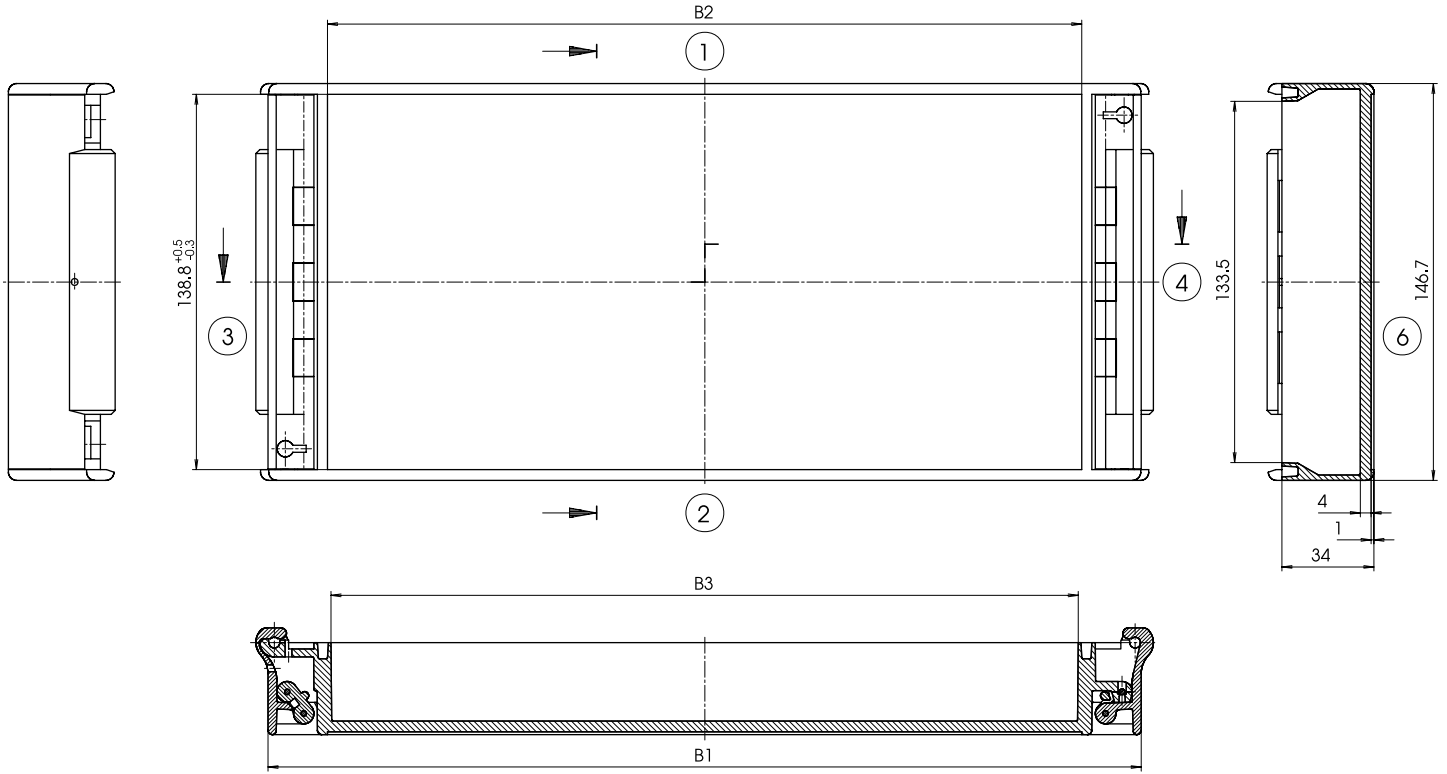
Front frame with seal,
2 snap-on covers,
4 fixing screws

Table of dimensions

Model	B1	B2	B3	B4	B5	N
FR 5000	175.7	113.6 ^{+0.4} _{-0.2}	129.1 / 128.6	122.1	80	1
FR 6000	226.5	164.4 ^{+0.6} _{-0.3}	179.9 / 179.4	172.9	160	2
FR 7000	323.0	260.9 ^{+1.0} _{-0.5}	276.4 / 275.9	269.4	240	3

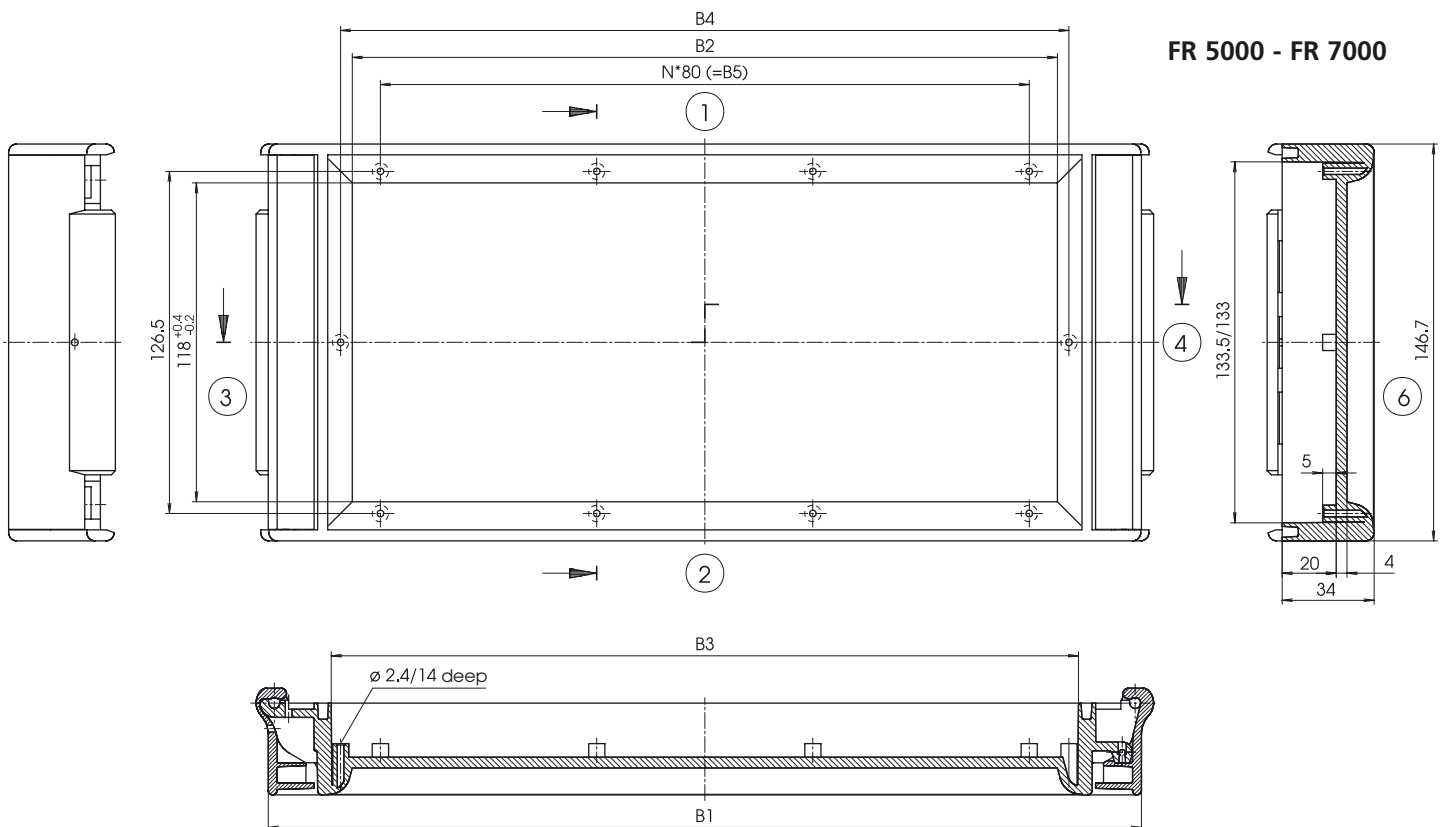
Closed front frame design to hold membranes or membrane keypads. Mounting bosses are moulded on the inside area for the fitting of PCBs, mounting plates or keyboard support plates. The front frame can be fixed with snap-on covers on the base or rear or – to comply with the **VDE regulations – with screws** (included in scope of delivery). If required, upgrading to a hinged quick-release fastening is possible at a later date using accessory SV 5670.

FD 5000 (G) - FD 7000 (G)

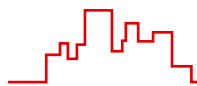


Z-2101294

FR 5000 - FR 7000



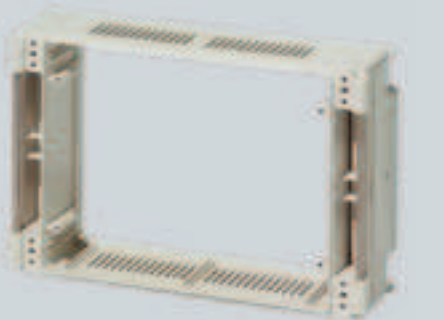
Z-2101296



CombiCard 5000-7000 system components



Open front frame design, for fitting front panels FP...AI with integrated pre-formed moulded seal. Customer-specific panels with comparable quality and stability guarantee IP 66. The front frame can be fixed by means of the snap-on cover on the base or rear or – to comply with the **VDE regulations – with screws** (included in scope of delivery). If required, upgrading to a hinged quick-release fastening can be carried out at a later date using accessory SV 5670.



Base (with/without air vents) with **integrated hinged quick-release fastenings** to increase the installation depth in combination with front, base and rear parts. The base contains mounting bosses for:
 – front panel FP_000 I
 – mounting rack BGT_000...
 – mounting plate M_000
 The hinged quick-release fastenings are to be opened by means of a tool (in accordance with VDE) and also sealable or to be secured by means of catch SR 5670-___. Unlocking is only possible when the front element is open (see page 211).

Front frames, open

Order designation

Model	Order no.
FO 5000	79003400
FO 6000	79003500
FO 7000	79003600

Accessories (additional charge)

Front panels	Order no.
FP 5000 AI	79004300
FP 6000 AI	79004400
FP 7000 AI	79004500

Scope of delivery:

Front frame with seal,
 2 snap-on covers,
 4 fixing screws,
 10 front panel fixing screws

Accessory (additional charge)

Model	Order no.	Designation
SV 5670	79005400	Hinged quick-release fastening

Table of dimensions

Model	B1	B2	B3
FO 5000	175.7	109.6	129.1 / 128.6
FO 6000	226.5	160.4	179.9 / 179.4
FO 7000	323.0	256.9	276.9 / 275.9

Bases -0.5 (51.51 mm construction depth)

Order designation

Model	Order no.
BC 5000 -0.5	79001000
BC 6000 -0.5	79001100
BC 7000 -0.5	79001200
BC 5000 L-0.5	79001300
BC 6000 L-0.5	79001400
BC 7000 L-0.5	79001500

L = with ventilation

Accessories (additional charge)

Front panels	Order no.
FP 5000 I	79004000
FP 6000 I	79004100
FP 7000 I	79004200

Mounting plates

Model	Order no.
M 5000	80050000
M 6000	80060000
M 7000	80070000

Scope of delivery:

BC_000-0.5: base with seal,
 2 mounted locks
BC_000 L-0.5:
 base with air vents without seal,
 2 mounted locks

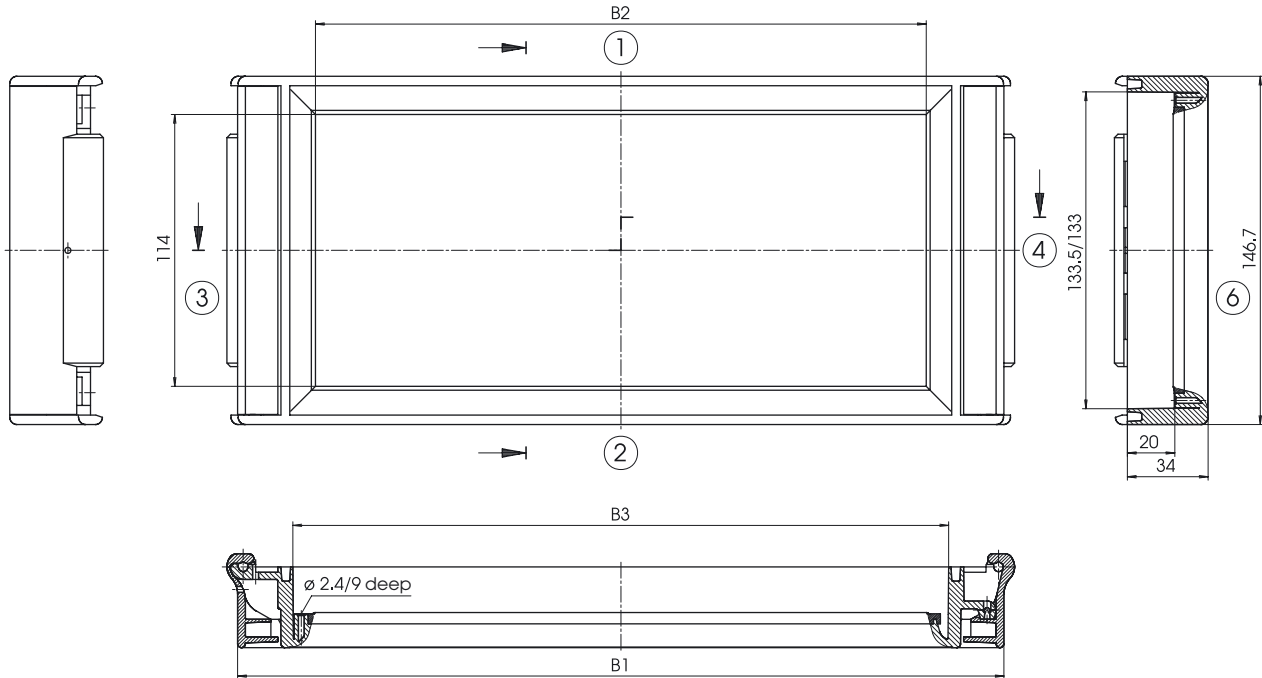
Accessory (additional charge)

Model	Order no.	Designation
SR 5670-0.5	79004900	Set of catches

Table of dimensions

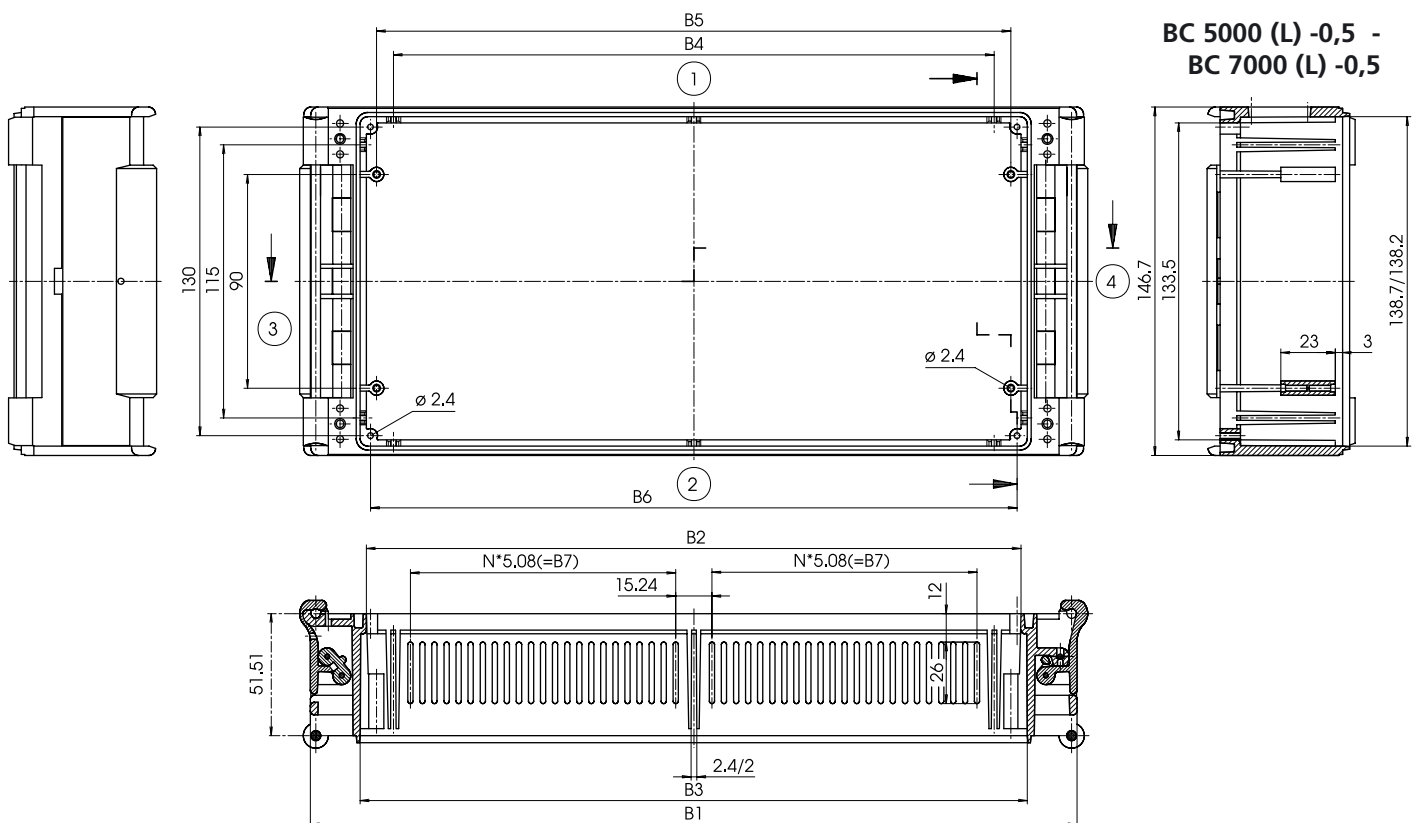
Model	B1	B2	B3	B4	B5	B6	B7	N
BC 5000 (L)-0.5	175.7	128.5/127.1	133.7/133.2	105.78	119.88	125.08	35.56	7
BC 6000 (L)-0.5	226.5	179.3/177.9	184.5/184.0	156.58	170.68	175.88	60.96	12
BC 7000 (L)-0.5	323.0	275.8/274.4	281.0/280.5	253.10	267.20	272.40	111.76	22

FO 5000 - FO 7000



Z-2101295

**BC 5000 (L) -0,5 -
BC 7000 (L) -0,5**



Z-2101291



CombiCard 5000-7000 system components

Bases -1 (88.25 mm construction depth)

Order designation

Model	Order no.
BC 5000 -1	79001600
BC 6000 -1	79001700
BC 7000 -1	79001800
BC 5000 L-1	79001900
BC 6000 L-1	79002000
BC 7000 L-1	79002100

L = with ventilation

Accessories (additional charge)

Front panels	Order no.
FP 5000 I	79004000
FP 6000 I	79004100
FP 7000 I	79004200

Mounting plates

Order no.
M 5000
80050000
M 6000
80060000
M 7000
80070000

Scope of delivery:

BC_000-1: base with seal,
2 mounted locks

BC_000 L-1:
base with air vents without seal,
2 mounted locks

Accessory (additional charge)

Model	Order no.	Designation
SR 5670-1	79005010	Set of catches

Table of dimensions

Model	B1	B2	B3	B4	B5	B6	B7	N
BC 5000 (L)-1	175.7	128.5/127.1	133.7/132.8	105.78	119.88	125.08	35.56	7
BC 6000 (L)-1	226.5	179.3/177.9	184.5/183.6	156.58	170.68	175.88	60.96	12
BC 7000 (L)-1	323.0	275.8/274.4	261.0/280.1	253.10	267.20	272.40	111.76	22

Base (with/without air vents) with integrated hinged quick-release fastenings to increase the installation depth in combination with front, base and rear parts.

The base contains mounting bosses for:

- front panel FP_000 I
- mounting rack BGT_000...
- mounting plate M_000

The hinged quick-release fastenings are to be opened by means of a tool (in accordance with VDE) and also to be sealable or to be secured by means of catch SR 5670-___.

Unlocking is only possible when the front element is open (see page 211).

Bases -1.5 (139.76 mm construction depth)

Order designation

Model	Order no.
BC 5000 -1.5	79002200
BC 6000 -1.5	79002300
BC 7000 -1.5	79002400
BC 5000 L-1.5	79002500
BC 6000 L-1.5	79002600
BC 7000 L-1.5	79002700

L = with ventilation

Accessories (additional charge)

Front panels	Order no.
FP 5000 I	79004000
FP 6000 I	79004100
FP 7000 I	79004200

Mounting plates

Order no.
M 5000
80050000
M 6000
80060000
M 7000
80070000

Scope of delivery:

BC_000-1.5: base with seal,
2 mounted locks

BC_000 L-1.5:
base with air vents without seal,
2 mounted locks

Accessory (additional charge)

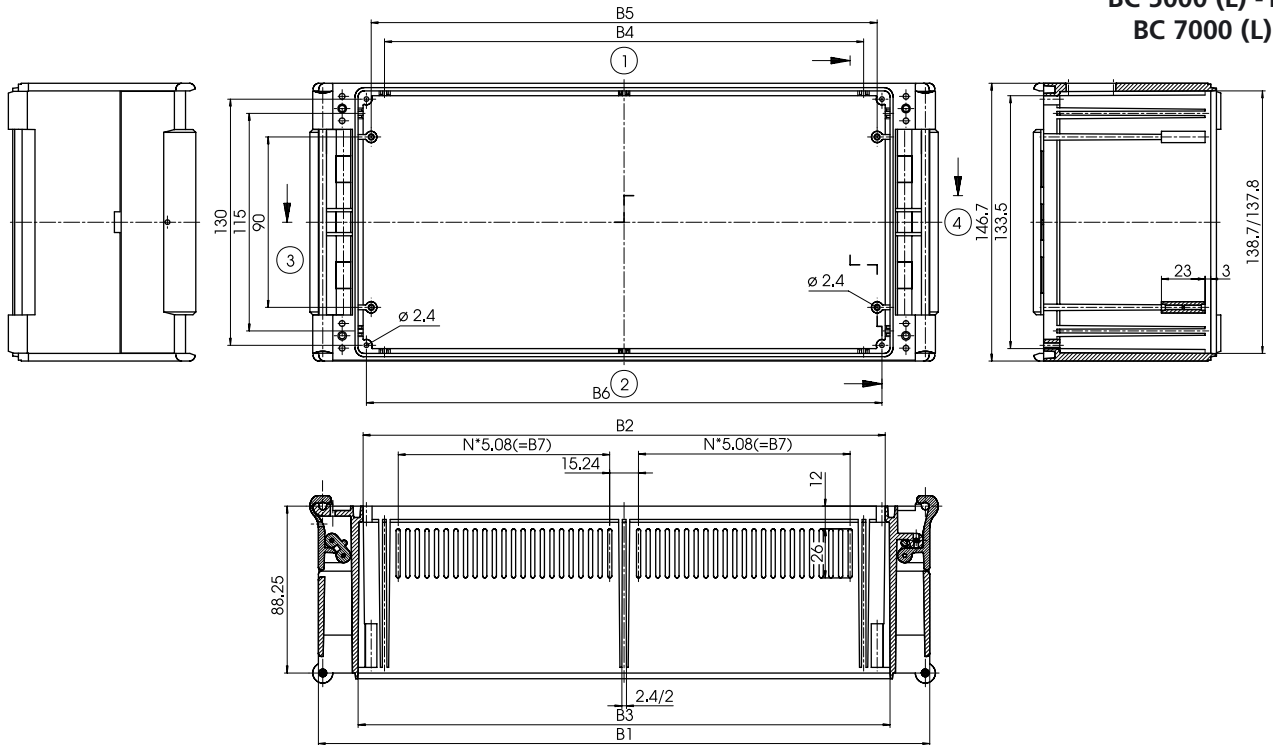
Model	Order no.	Designation
SR 5670-1.5	79005100	Set of catches

Table of dimensions

Model	B1	B2	B3	B4	B5	B6	B7	B7	N
BC 5000 (L)-1.5	175.7	128.5/127.1	133.7/132.3	105.78	119.88	125.08	125.08	35.56	7
BC 6000 (L)-1.5	226.5	179.3/177.9	184.5/183.1	156.58	170.68	175.88	175.88	60.96	12
BC 7000 (L)-1.5	323.0	275.8/274.4	281.0/279.6	253.10	267.20	272.40	272.40	111.76	22

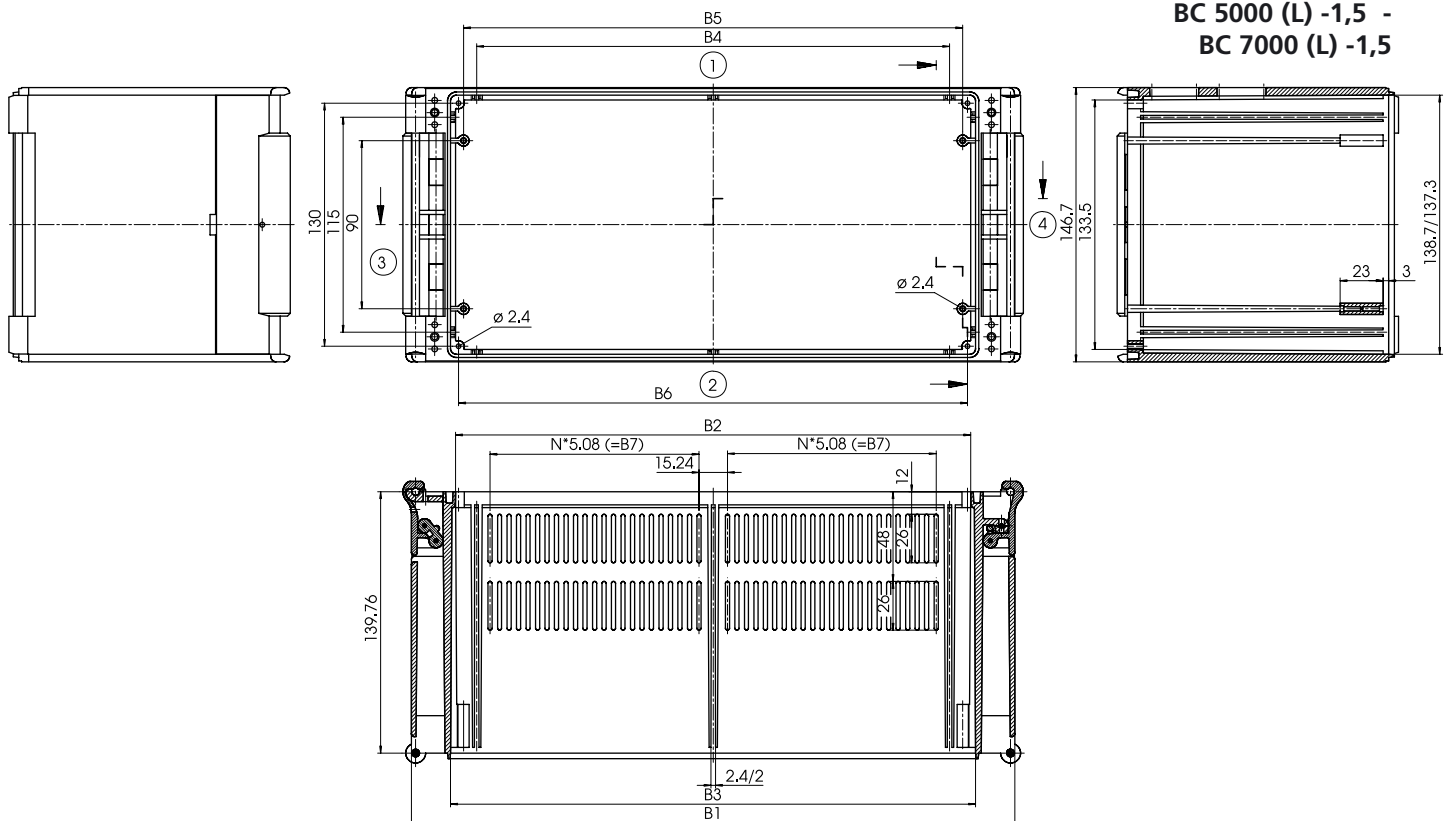


**BC 5000 (L) -1 -
BC 7000 (L) -1**



Z-2101292

**BC 5000 (L) -1,5 -
BC 7000 (L) -1,5**



Z-2101293

CombiCard 5000-7000 system components

Base NG (control panel mounting)

Order designation

Model	Order no.
BC 5000 NG	79001610
BC 5000 NG-L	79001910
BC 6000 NG	79001710
BC 6000 NG-L	79002010
BC 7000 NG	79001810
BC 7000 NG-L	79002110

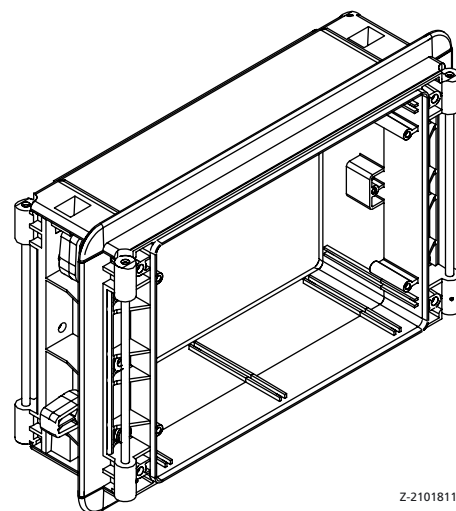
L = with ventilation

Important: When these bases (BC...NG (-L)) are used, **front lids** must be used on both sides to close the enclosure.

Tightening torque for the fixing elements = 80 Ncm.

Scope of delivery:

Base including mounted set of fixing elements for control panel mounting.



Z-2101811

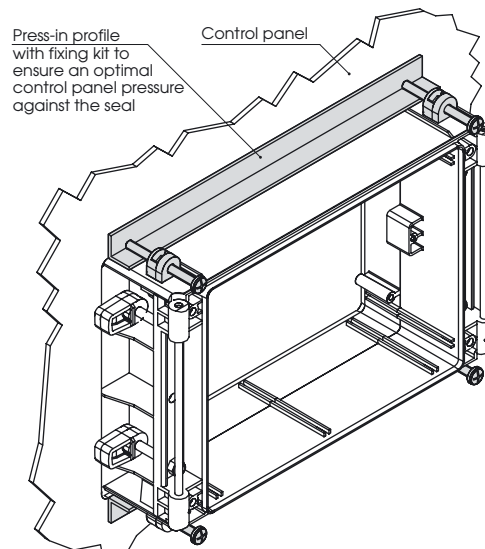
Table of dimensions

Model	B1	B2	B3	B4	B5	B6	B7	N	A1
BC 5000 NG (-L)	203.7	129.1/128.7	133.7/133.3	105.78	119.88	113.7	35.56	7	185.2
BC 6000 NG (-L)	254.5	179.9/179.5	184.5/184.1	156.58	170.68	164.5	60.96	12	236.0
BC 7000 NG (-L)	351.0	276.4/276.0	281.0/280.6	253.10	267.20	261.0	111.76	22	332.5

Accessories (additional charge)

Model	Order no.	Description
BC 5000 NG-DI*	79001630	Self-adhesive seal
BC 5000 NG-AP	79001620	Press-in profile with fixing kit to ensure an optimal control panel pressure against the seal
BC 6000 NG-DI*	79001730	Self-adhesive seal
BC 6000 NG-AP	79001720	Press-in profile with fixing kit to ensure an optimal control panel pressure against the seal
BC 7000 NG-DI*	79001830	Self-adhesive seal
BC 7000 NG-AP	79001820	Press-in profile with fixing kit to ensure an optimal control panel pressure against the seal

* Ingress protection acc. to DIN EN 60529 possible up to max. IP 65, depending on the control panel material and thickness.



Z-2101888



Base (with/without air vents) with integrated **hinge axes** on both **front and back** so that the base and/or **front elements** can be snapped into **both sides**.

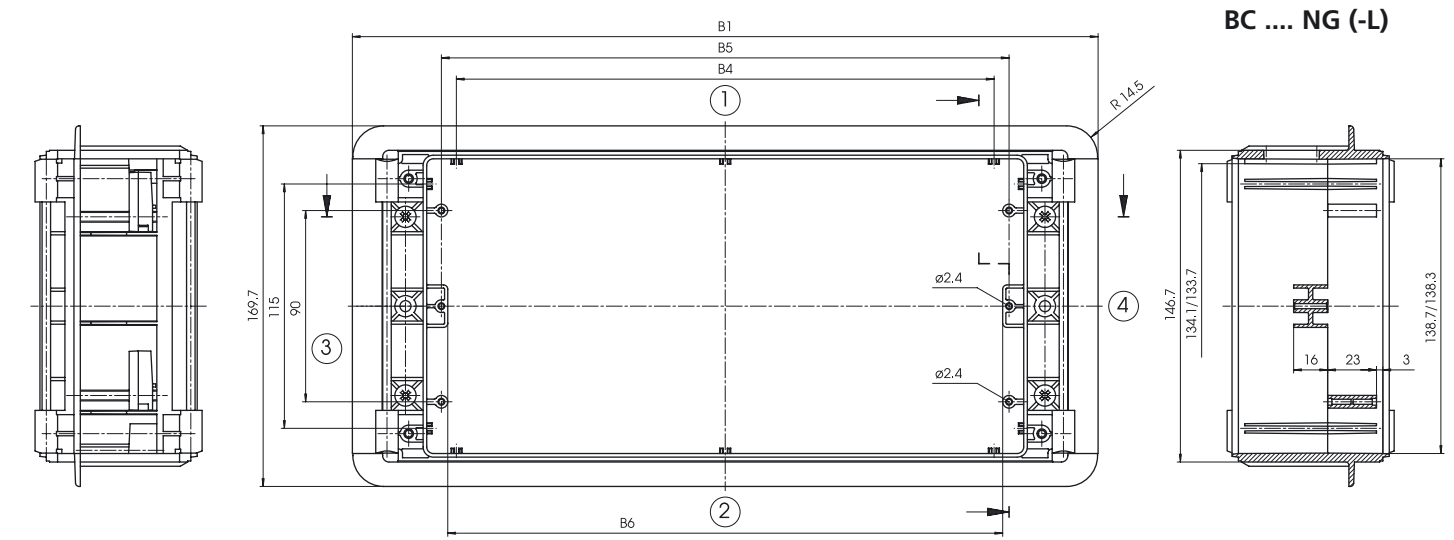
This means that the unit in the control panel is optimally accessible from both sides: from the front for operation, from the rear for connection technology and servicing.

For examples of construction see page 205.

Mounting bosses are provided in the base for:

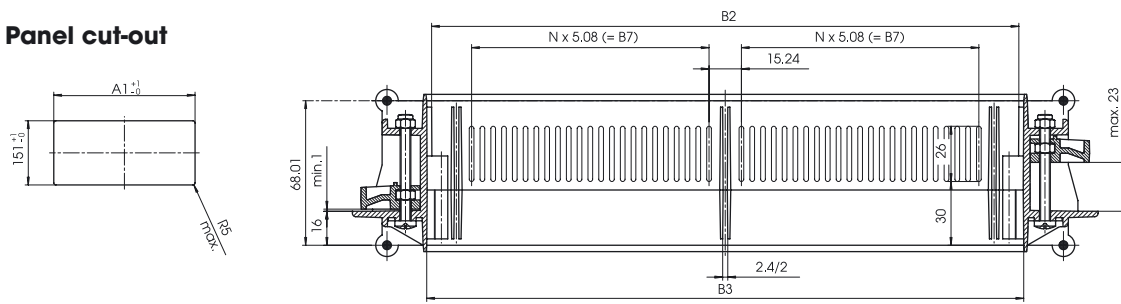
- front panel FP_000 I
- mounting rack BGT_000...
- mounting plate M_000
- DIN rails TS...





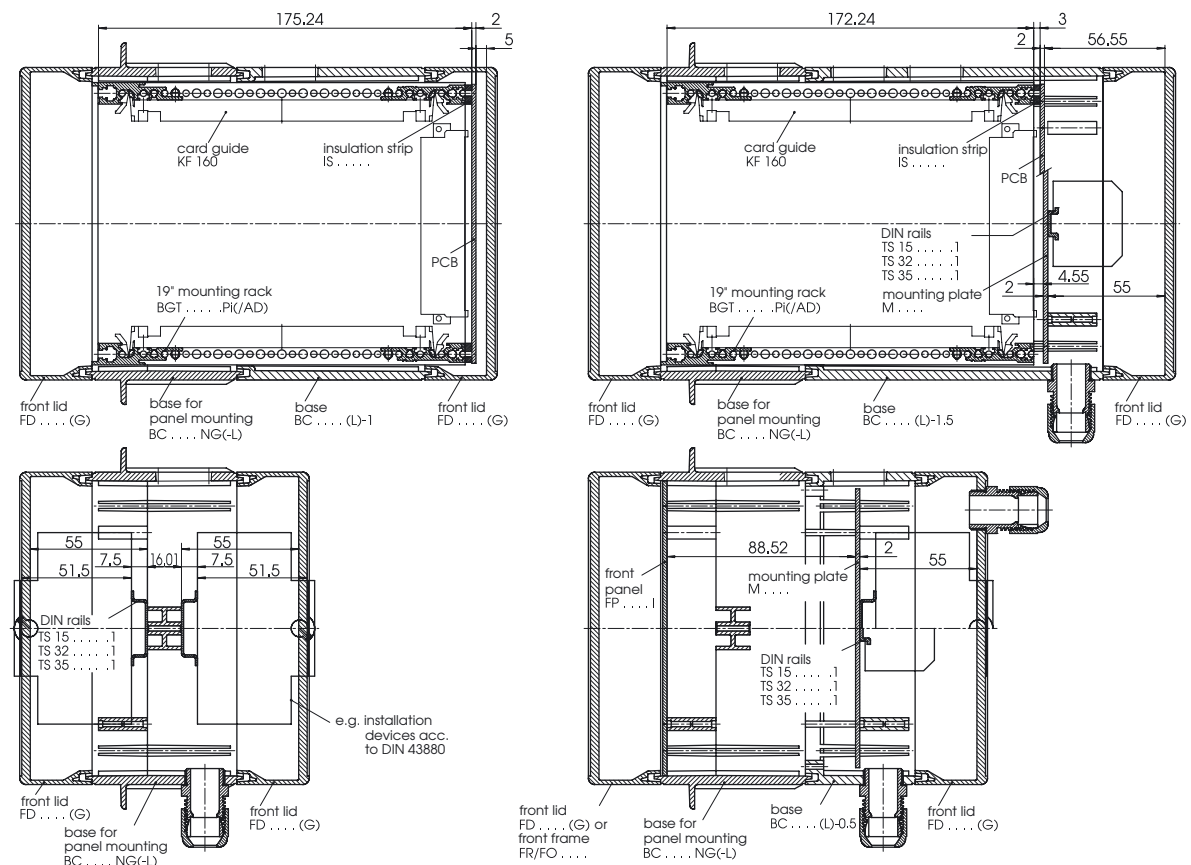
BC ... NG (-L)

Panel cut-out



Z-2101784

Examples of construction



Z-2101893



CombiCard 5000-7000 system components



Rear section (**without terminal compartment**) for combining with base (not BC...NG) or front elements. Mounting bosses are provided in the rear section for the fixing of mounting plates/DIN rails. Wall fixing points or screw fastening points for wall brackets are provided outside the sealed lip.



Rear section (**with terminal compartment on one side**) for combining with base (not BC...NG) or front elements. Mounting bosses are provided in the rear for the fixing of mounting plates/DIN rails. Wall fixing points or screw fastening points for wall brackets are provided outside the sealed lip.

Rear sections without terminal compartment

Order designation	
Model	Order no.
RD 5000	79000100
RD 6000	79000200
RD 7000	79000300

A fixing kit BS 5670 is also required for fitting front panels FP_000 I in the rear section. This elevates the front panel in the rear section.

Scope of delivery:
Rear section

Accessories (additional charge)	
Front panels	Order no.
FP 5000 I	79004000
FP 6000 I	79004100
FP 7000 I	79004200

Mounting plates		Order no.
M 5000		80050000
M 6000		80060000
M 7000		80070000

Accessories (additional charge)		
Model	Order no.	Designation
BS 5670	79005500	Fixing kit for FP...I in RD...
WL 5670	79004600	Wall brackets for DIN rails see page 213.

Table of dimensions

Model	B1	B2	B3	B5	B6	B7	N
RD 5000	175.7	152.7	133.7 / 132.7	119.88	96.52	76.2	3
RD 6000	226.5	203.5	184.5 / 183.5	170.68	147.32	127.0	5
RD 7000	323.0	300.0	281.0 / 280.0	267.20	243.84	228.6	9

Rear sections with terminal compartment

Order designation	
Model	Order no.
RD 5000 K	79000400
RD 6000 K	79000500
RD 7000 K	79000600

A fixing kit BS 5670 is also required for fitting front panels FP_000 I in the rear section. This elevates the front panel in the rear section.

Scope of delivery:
Rear section, terminal compartment bar, terminal compartment cover including seal and fixing screws

Accessories (additional charge)	
Front panels	Order no.
FP 5000 I	79004000
FP 6000 I	79004100
FP 7000 I	79004200

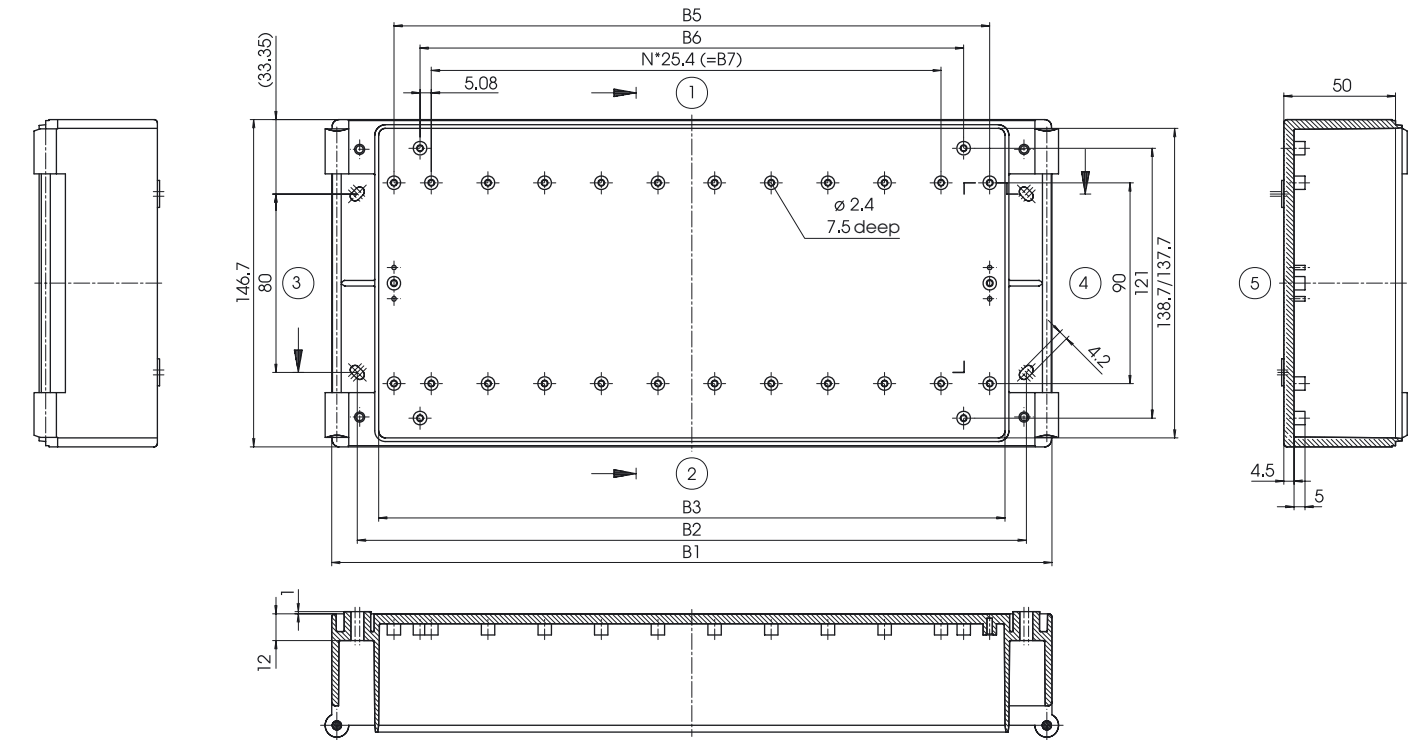
Mounting plates		Order no.
M 5000 K		80050100
M 6000 K		80060100
M 7000 K		80070100

Accessories (additional charge)		
Model	Order no.	Designation
BS 5670	79005500	Fixing kit for FP...I in RD...
WL 5670 K	79004700	Wall brackets for DIN rails see page 213.

Table of dimensions

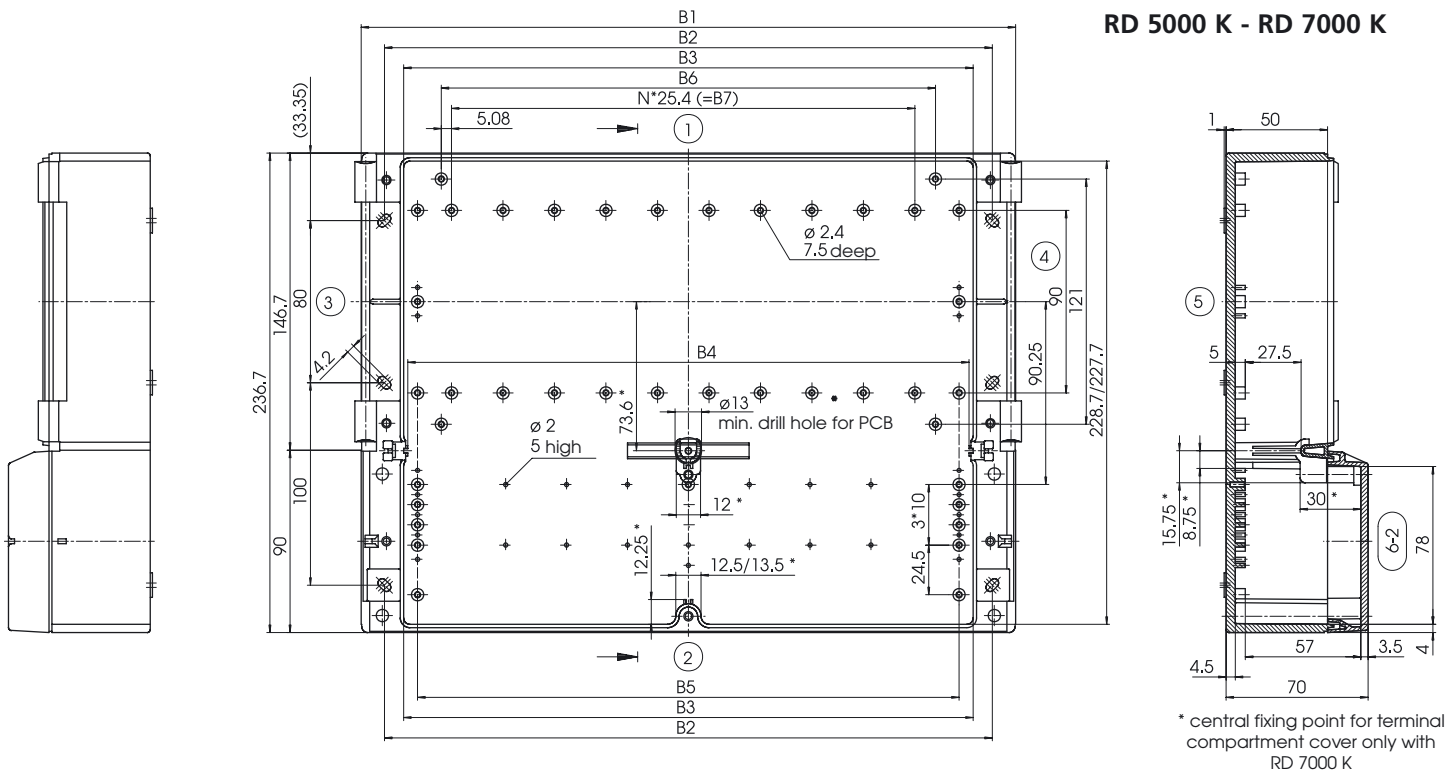
Model	B1	B2	B3	B4	B5	B6	B7	N
RD 5000 K	175.7	152.7	133.7/132.7	129.7/128.7	119.88	96.52	76.2	3
RD 6000 K	226.5	203.5	184.5/183.5	180.5/179.5	170.68	147.32	127.0	5
RD 7000 K	323.0	300.0	281.0/280.0	277.0/276.0	267.20	243.84	228.6	9

RD 5000 - RD 7000



Z-2101288

RD 5000 K - RD 7000 K



* central fixing point for terminal compartment cover only with RD 7000 K

Z-2101289

CombiCard 5000-7000 system components/accessories



Rear section (with terminal compartment on both sides) for combining with base (not BC...NG) or front elements. Mounting bosses are provided in the rear section for the fixing of mounting plates/DIN rails. Wall fixing points or screw fastening points for wall brackets are provided outside the sealed lip.



The wall brackets can be mounted either projecting outwards for a projecting wall fastening or flush with the enclosure edge as a distance piece. In both cases there is an 11 mm clearance for rear ventilation or cable bushing.

Rear sections with terminal compartment on both sides

Order designation

Model	Order no.
RD 5000 BK	79000700
RD 6000 BK	79000800
RD 7000 BK	79000900

A fixing kit BS 5670 is also required for fitting front panels FP_000 I in the rear section. This elevates the front panel in the rear section.

Scope of delivery:

Rear section,
2 terminal compartment bars
2 terminal compartment covers incl. seal and fixing screws

Accessories (additional charge)

Front panels	Order no.
FP 5000 I	79004000
FP 6000 I	79004100
FP 7000 I	79004200

Mounting plates

Order no.
M 5000 BK 80050200
M 6000 BK 80060200
M 7000 BK 80070200

Accessories (additional charge)

Model	Order no.	Designation
BS 5670	79005500	Fixing kit for FP...I in RD...
WL 5670 BK	79004800	Wall brackets for DIN rails see page 213.

Table of dimensions

Model	B1	B2	B3	B4	B5	B6	B7	N
RD 5000 BK	175.7	152.7	133.7/132.7	129.7/128.7	119.88	96.52	76.2	3
RD 6000 BK	226.5	203.5	184.5/183.5	180.5/179.5	170.68	147.32	127.0	5
RD 7000 BK	323.0	323.0	281.0/280.0	277.0/276.0	267.20	243.84	228.6	9

Wall brackets

Order designation

Model	Order no.	Description
WL 5670	79004600	Wall bracket for RD_000
WL 5670 K	79004700	Wall bracket for RD_000 K
WL 5670 BK	79004800	Wall bracket for RD_000 BK

Scope of delivery:

2 wall brackets including fixing material for screwing to the rear section

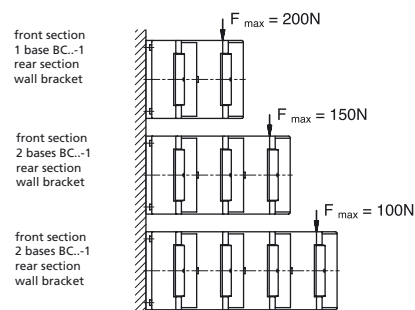
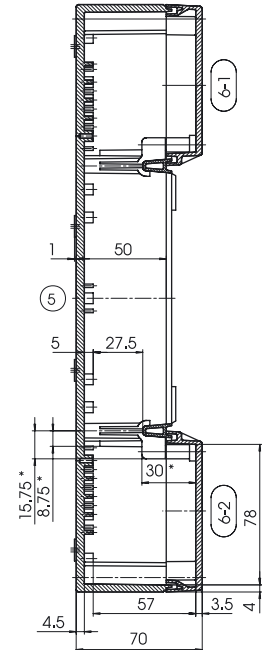
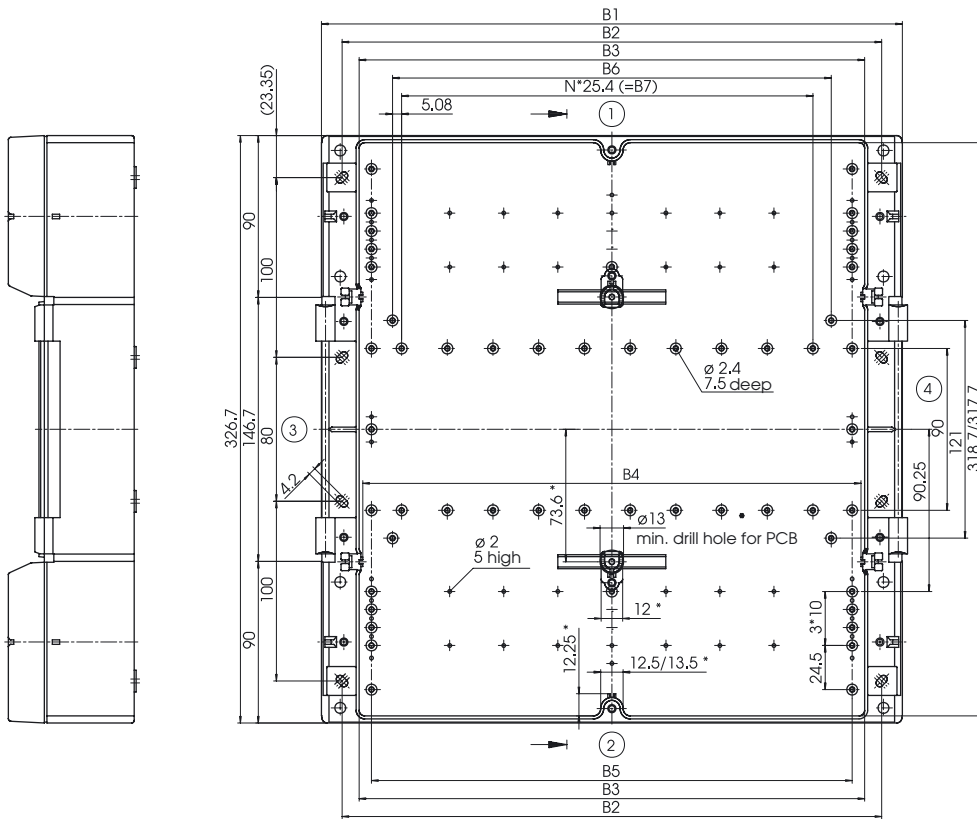


Table of dimensions

Model	B1	B2
RD 5000 (K) (BK)	192.7	152.7
RD 6000 (K) (BK)	243.5	203.5
RD 7000 (K) (BK)	340.0	300.0

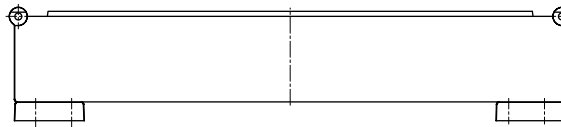
RD 5000 BK - RD 7000 BK



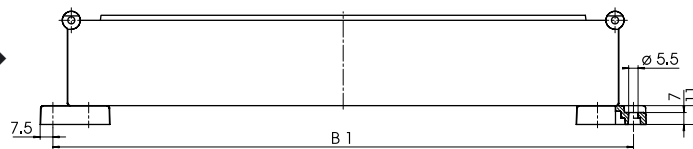
* central fixing point for terminal compartment cover only with RD 7000 BK

Z-2101290

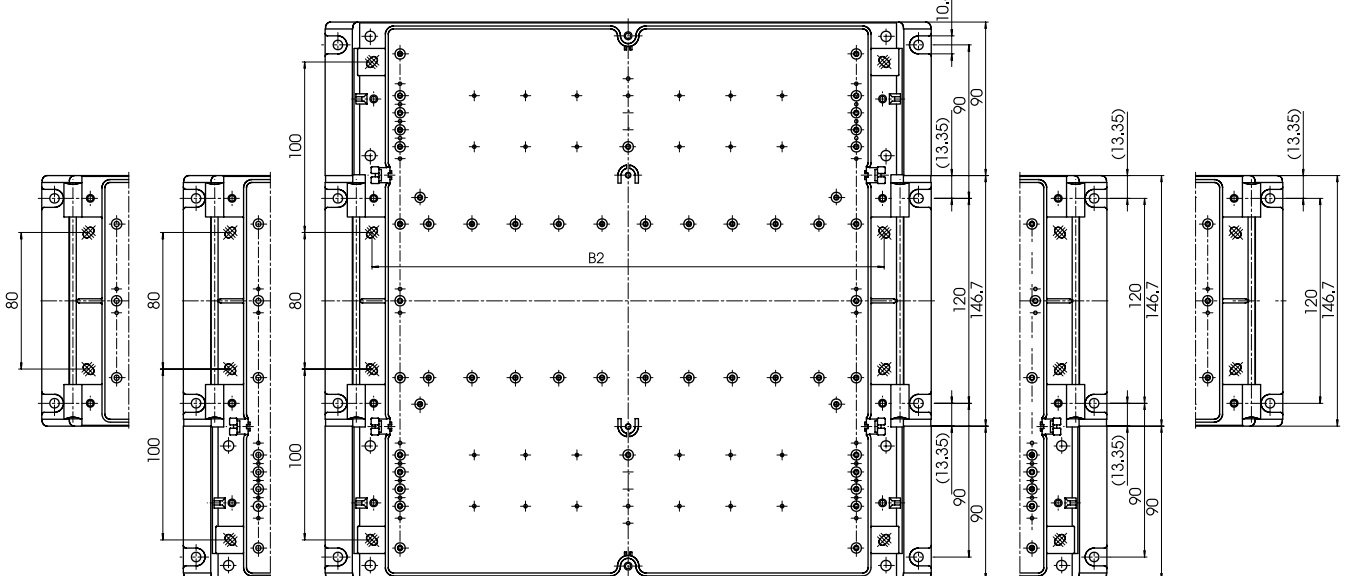
mounted as a distance piece ▶



mounted as a wall bracket ▶



WL 5670



Z-2101299

CombiCard 5000-7000 accessories



Material: anodized aluminium



Material: anodized aluminium



The handle can be fitted to the BC_000 -1, BC_000 -1.5 and to the rear section RD_000. In addition to its standard carrying function, the handle can also be used as a swivelling set-up handle (fixed locking position at 30° intervals).

Front panels, internal for BC.../RD...

Order designation

Model	Order no.
FP 5000 I	79004000
FP 6000 I	79004100
FP 7000 I	79004200
BS 5670	79005500

Table of dimensions

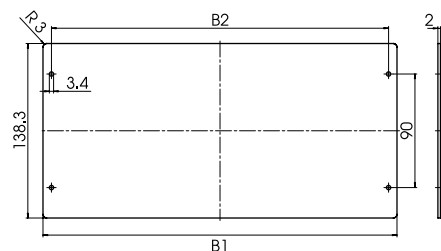
B1	B2
133.3	119.88
184.1	170.68
280.6	267.20

Fixing kit for FP_000 I in RD...

Scope of delivery:

FP_000 I without fixing screws; for fixing screws, see accessories starting on page 576.

A fixing kit BS 5670 is also required for fitting front panels FP_000 I in the rear section. This elevates the front panel in the rear section.



Z-2101298

Front panels for FO...

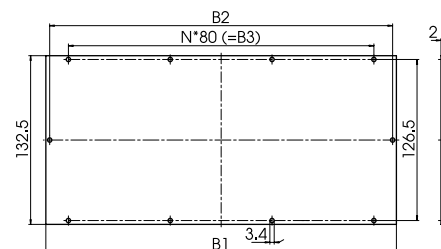
Order designation

Model	Order no.
FP 5000 AI	79004300
FP 6000 AI	79004400
FP 7000 AI	79004500

Table of dimensions

B1	B2	B3	N
128.1	122.1	80	1
178.9	172.9	160	2
275.4	269.4	240	3

The fixing screws are included with the front frame FO_000.

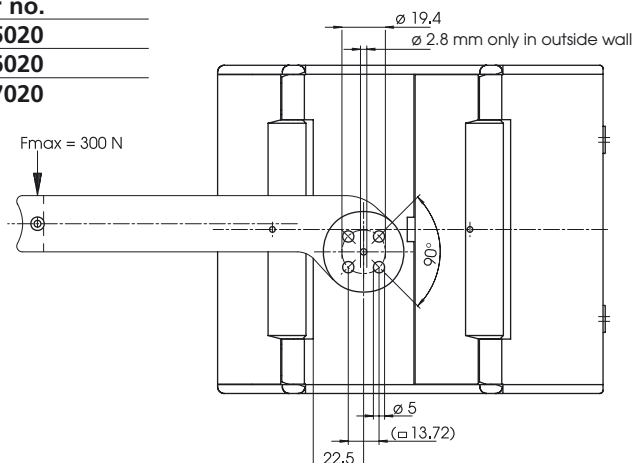


Z-2101297

Handle

Order designation

Model	Order no.
HS 5000	79605020
HS 6000	79606020
HS 7000	79607020



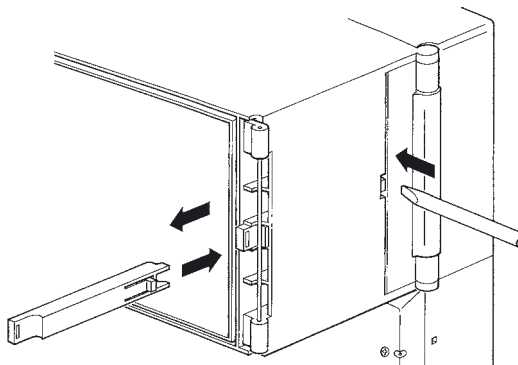
Z-2101630

Lock bolts for bases to lock fastening function

Order designation

Model	Order no.	Application
SR 5670 -0.5	79004900	BC...(L)-0.5
SR 5670 -1	79005010	BC...(L)-1
SR 5670 -1.5	79005100	BC...(L)-1.5

SR: The lock bolts can be used to ensure that the hinged quick-release fastenings cannot be opened when the enclosure is closed. The lock bolt can only be moved and the hinged quick-release fastening opened after this enclosure system part has been removed. This protects a unit against unauthorized access, or restricts the hinged quick-release fastening to the hinge function.



Scope of delivery: 2 pieces

Lock cover / hinged quick-release fastening

Order designation

Model	Order no.	Application
VA 5670	79005300	FD...(G)
SV 5670	79005400	FO/FR

Lock cover VA

for clipping onto the hinge side at the front lid FD... (G)

Scope of delivery: 2 pieces

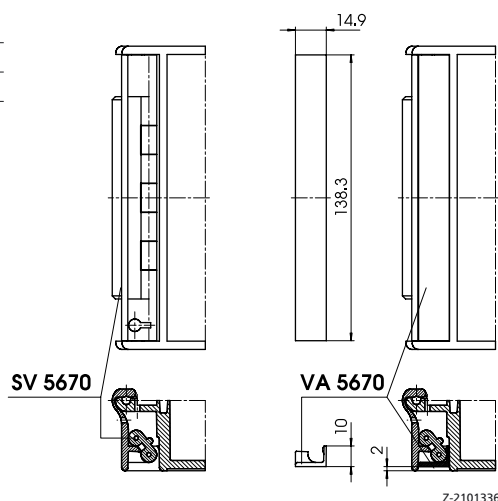
Hinged quick-release fastening SV

for conversion of front frames FR and FO

Scope of delivery: 2 pieces

1 catch*

1 blind plug*



SV 5670

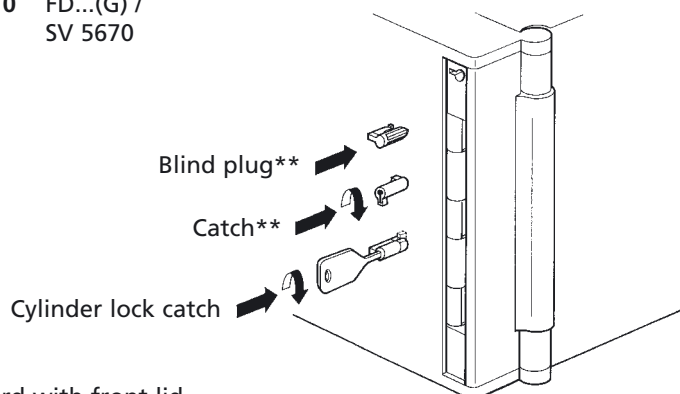


VA 5670

Cylinder catch

Order designation

Model	Order no.	Application
SHLO-302	21008310	FD...(G) / SV 5670



** Supplied as standard with front lid

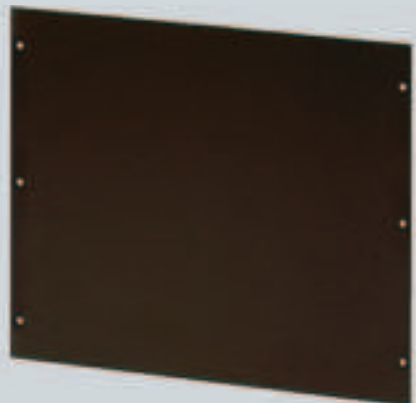


Cylinder catch

CombiCard 5000-7000 accessories



Material: laminated paper 2 mm



Material: laminated paper 2 mm



Material: laminated paper 2 mm

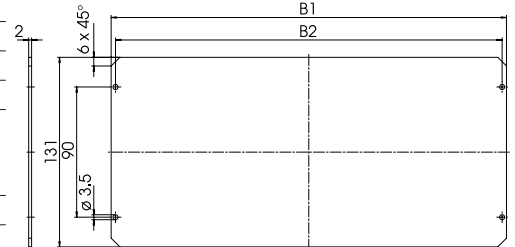
Mounting plates for RD... and BC...(L)-...

Order designation

Model	Order no.
M 5000	80050000
M 6000	80060000
M 7000	80070000

Table of dimensions

Model	B1	B2
M 5000	125.88	119.88
M 6000	176.68	170.68
M 7000	273.20	267.20



For fixing screws, see accessories starting on page 642.

Z-2101328

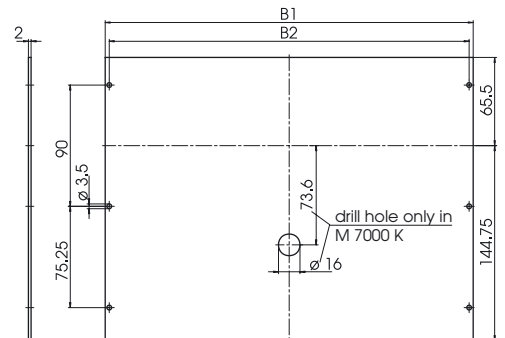
Mounting plates for RD...K

Order designation

Model	Order no.
M 5000 K	80050100
M 6000 K	80060100
M 7000 K	80070100

Table of dimensions

Model	B1	B2
M 5000 K	125.88	119.88
M 6000 K	176.68	170.68
M 7000 K	273.20	267.20



For fixing screws, see accessories starting on page 642.

Z-2101329

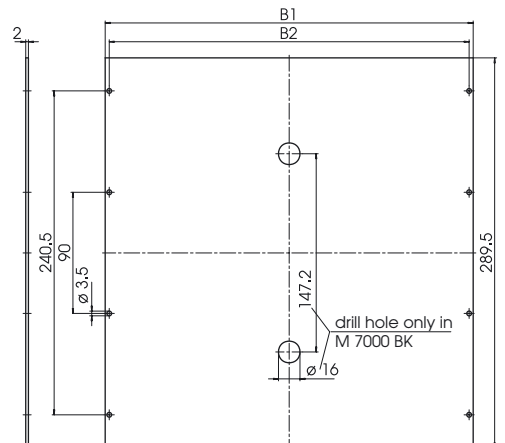
Mounting plates for RD...BK

Order designation

Model	Order no.
M 5000 BK	80050200
M 6000 BK	80060200
M 7000 BK	80070200

Table of dimensions

Model	B1	B2
M 5000 BK	125.88	119.88
M 6000 BK	176.68	170.68
M 7000 BK	273.20	267.20



For fixing screws, see accessories starting on page 642.

Z-2101330

DIN rails

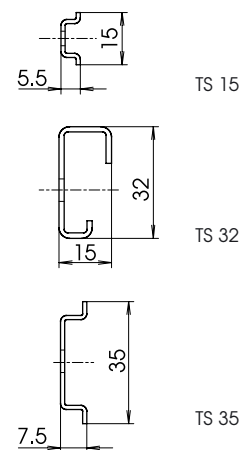
Order designation

Model	5000	6000	7000	Design
	Order no.	Order no.	Order no.	
TS 15...1	22151301	22151801	22152801	Top hat rail DIN EN 60715 TH15
TS 32...1	22321301	22321801	22322801	Top hat rail DIN EN 60715 G 32
TS 35...1	22351301	22351801	22352801	Top hat rail DIN EN 60715 TH35

For fixing screws, see accessories starting on page 642.

Table of dimensions

For model	Length
5000	130
6000	180
7000	280



Z-2001663

Dimensioning acc. to VDE 0611 Part 1 / DIN EN 60947-7-1

Model	Phoenix			Weidmüller	
	MBK 2.5	MBK 5	MBK 10	AKZ 1.5	AKZ 4
V ~	500.0	500.0	500.0	400.0	500.0
A	19.5	35.0	46.0	17.5	32.0
mm ²	1.5	4.0	6.0	1.5	4.0
RD 5000, RD 5000 K	15.0	12.0	10.0	14.0	12.0
RD 5000 BK	30.0	24.0	20.0	28.0	24.0
RD 6000, RD 6000 K	20.0	18.0	14.0	20.0	16.0
RD 6000 BK	40.0	36.0	28.0	40.0	32.0
RD 7000, RD 7000 K	40.0	34.0	28.0	38.0	32.0
RD 7000 BK	80.0	68.0	56.0	76.0	64.0

Terminal accessories

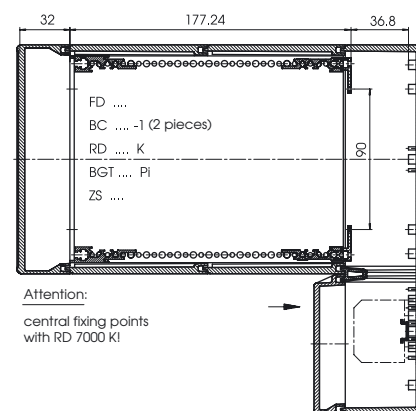
End-angle pieces	2	2	2	2	2
Back plates	-	-	-	1	1

If the terminals are soldered, the following numbers can be achieved:

Soldered terminals with 2.5 or 2.54 pitch

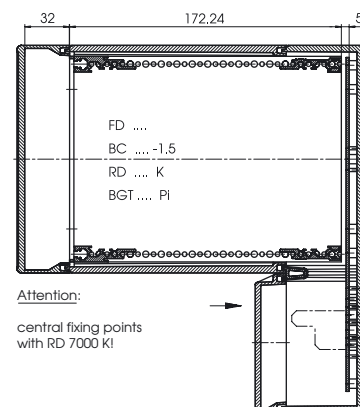
Model	single-row	double-row (double-deck terminals)
RD 5000, RD 5000 K	17	34
RD 5000 BK	34	68
RD 6000, RD 6000 K	26	52
RD 6000 BK	52	104
RD 7000, RD 7000 K	44	88
RD 7000 BK	88	176

Possible terminal assignment



Attention:
central fixing points
with RD 7000 K!

Z-2101486



Attention:
central fixing points
with RD 7000 K!

Z-2101487