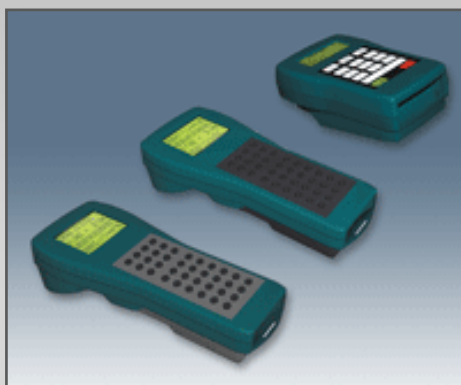


# TG Handheld

## Handheld Enclosure Series



For Finishing Services, Product Support, or to Order

Call 1-301-696-9800



- ABS hand held enclosure for data acquisition and instrumentation
- With integrated battery compartment
- Version with or without display opening
- Prepared for acceptance of keypads
- 2 depth variants
- Optional EMC version with internal coating

#### Included in delivery

5-piece enclosure with top and base, battery compartment, battery compartment cover, head and shaft surround, fixing and enclosure screws. Open version incl. display screen and punched seal.

#### Technical data

##### Material:

ABS

##### Ingress protection:

IP 40 to EN 60529

##### Surface resistance:

$4 \times 10^{14}$  Ohm, IEC 60093

##### Flammability:

HB / UL 94

##### Colour:

upper/lower mould, battery compartment cover, head/shaft surround: RAL 5020, ocean blue  
 keyboard surround, battery compartment/  
 battery pack: RAL 7024, graphite grey

##### Temperature range:

-40°C to +80°C

# Taguan 130

## Programme range

| Enclosure type | Order No.          | Version      | Dimensions                | Weight<br>(kg) |
|----------------|--------------------|--------------|---------------------------|----------------|
|                |                    |              | W x L x H (mm)            |                |
| Taguan 130 FO  | <b>27.01 02 00</b> | flat, open   | 80/70 x 125 x 36.7 / 28.5 | 0,08           |
| Taguan 130 FG  | <b>27.01 02 01</b> | flat, closed | 80/70 x 125 x 36.7 / 28.5 | 0,085          |
| Taguan 130 TO  | <b>27.01 02 10</b> | deep, open   | 80/70 x 125 x 46.7 / 28.5 | 0,085          |
| Taguan 130 TG  | <b>27.01 02 11</b> | deep, closed | 80/70 x 125 x 46.7 / 28.5 | 0,09           |



## Accessories

|   |                    |
|---|--------------------|
| Battery holder 4 micro-cells (AAA)                | <b>27.01 02 80</b> |
| Battery holder 9 V monoblock                      | <b>27.01 02 81</b> |
| Clip  | <b>27.01 02 82</b> |
| Keypad FT 130b, 12 printed keys common connection | <b>82.10 00 01</b> |
| Keypad FT 130e, 12 keys with insert (matrix)      | <b>82.10 00 02</b> |
| FFC connector 13-pole                             | <b>82.20 00 13</b> |
| Shaft cover in enclosure colour                   | <b>27.01 02 85</b> |
| Shaft cover transparent                           | <b>27.01 02 86</b> |
| Shaft cover for infrared                          | <b>27.01 02 87</b> |
| Spare display screen set                          | <b>27.01 02 88</b> |
| Spare screw set                                   | <b>27.01 00 90</b> |
| Scratch resistant display screen                  | on request         |
| Push-button and switches see page 53 - 58         | on request         |

## Electromechanical and electronic components

Upon request we can supply enclosures ready equipped with electromechanical and electronic components such as display, chipcard-acceptor, interface modules etc.

## Component mounting options

| Component options  | Type T130 FO | Type T130 FG | Type T130 TO | Type T130 TG |
|--|--------------|--------------|--------------|--------------|
| Display max. view area 45 x 17,4 mm<br>max. mounting dimensions 65 x 29 mm | •            |              | •            |              |
| Chipcard reader in head section  | •            | •            | •            | •            |
| Scanner  | •            | •            | •            | •            |
| PCMCIA slot  | •            | •            | •            | •            |
| D-Sub interface 9-pin  | •            | •            | •            | •            |
| D-Sub interface 15-pin   | •            | •            | •            | •            |
| 9V battery   | •            | •            | •            | •            |
| 4 R3 micro-cells (AAA)   | •            | •            | •            | •            |
| 1. PCB (main board)  | •            | •            | •            | •            |
| 2. PCB (adapter board)   |              |              | •            | •            |
| Membrane keypad  | •            | •            | •            | •            |

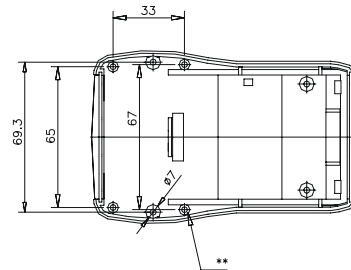
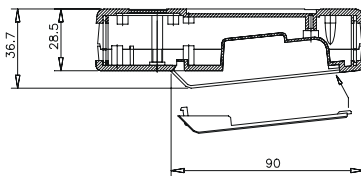
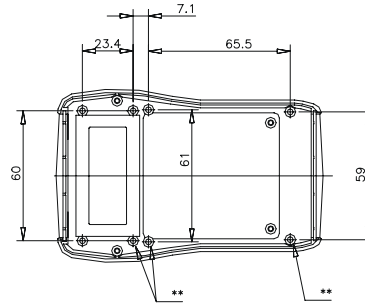
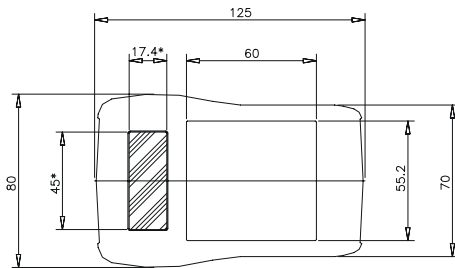
Dimensions



| Type          | Version      | Order No.   |
|---------------|--------------|-------------|
| Taguan 130 FO | flat, open   | 27.01 02 00 |
| Taguan 130 FG | flat, closed | 27.01 02 01 |

(max. PCB size of displays ca. 65 x 29 mm)

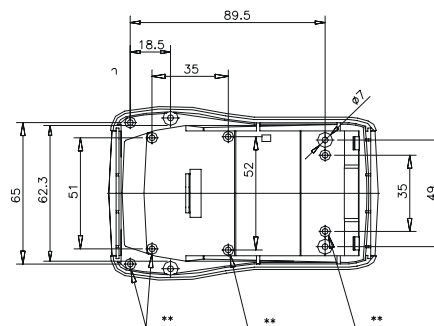
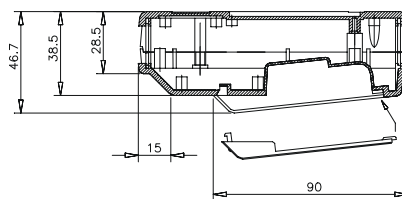
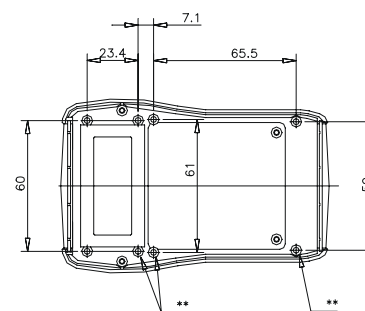
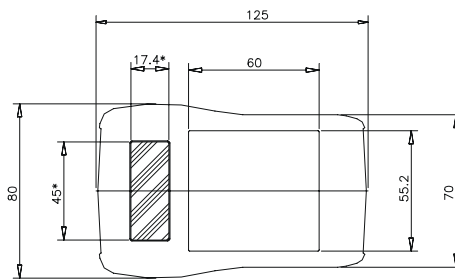
\* = Open version  
 \*\* = PCB mounting boss (screw 2.5 x 5)



| Type          | Version      | Order No.   |
|---------------|--------------|-------------|
| Taguan 130 TO | deep, open   | 27.01 02 10 |
| Taguan 130 TG | deep, closed | 27.01 02 11 |

(max. PCB size of displays ca. 65 x 29 mm)

\* = Open version  
 \*\* = PCB mounting boss (screw 2.5 x 5)



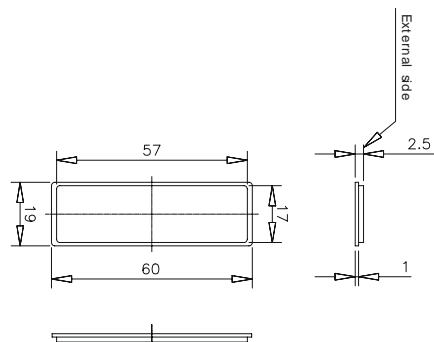
## Accessories



**Cover**  
for use as head or shaft cover

| Version             | Order No.          |
|---------------------|--------------------|
| in enclosure colour | <b>27.01 02 85</b> |
| transparent         | <b>27.01 02 86</b> |
| for infrared        | <b>27.01 02 87</b> |

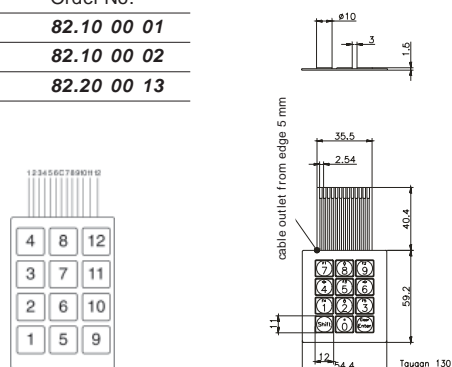
Units per pack: 1 pc



**Membrane keypads**  
12 keys, printed version or plain with insertion facility for custom inscription

| Type     | Version                   | Order No.          |
|----------|---------------------------|--------------------|
| FT T130b | printed common connection | <b>82.10 00 01</b> |
| FT T130e | with plug-in-unit         | <b>82.10 00 02</b> |
| FT 130   | Connector 13-pole         | <b>82.20 00 13</b> |

Customized membrane keypads on request.



**Clip**  
Metal dip to snap onto battery compartment lid  
Order No. **27.01 02 82**



**Battery holder**  
for mounting in the bottom part, for 4 micro-cells (AAA) side by side or connection contact for 9 V battery

| Version                 | Order No.          |
|-------------------------|--------------------|
| for 4 micro-cells (AAA) | <b>27.01 02 80</b> |
| for 9 V monoblock       | <b>27.01 02 81</b> |



- ABS hand held enclosure for data acquisition and instrumentation
- With integrated battery compartment
- Version with or without display openings
- Prepared for acceptance of keypads/silicone switch mats
- 2 depth variants
- Optional EMC version with internal coating

#### Included in delivery

Enclosure with top and base, keyboard surround, head and shaft surround, fastening and enclosure screws. Open version incl. display screen and punched seal.

Please order battery compartment separately.

#### Technical data

##### Material:

ABS

##### Ingress protection:

IP 40 to EN 60529

##### Surface resistance:

$4 \times 10^{14}$  Ohm, IEC 60093

##### Flammability:

HB / UL 94

##### Colour:

upper/lower mould, battery compartment cover, head/shaft surround: RAL 5020, ocean blue  
keyboard surround, battery compartment/  
battery pack: RAL 7024, graphite grey

##### Temperature range:

-40°C to +80°C

# Taguan 180/230

## Programme range

| Enclosure type | Order No.   | Version | Dimensions              | Weight<br>(kg) |
|----------------|-------------|---------|-------------------------|----------------|
|                |             |         | W x L x H (mm)          |                |
| Taguan 180 O   | 27.01 04 00 | open    | 84/70 x 180 x 52.5/37.5 | 0.17           |
| Taguan 180 G   | 27.01 04 01 | closed  | 84/70 x 180 x 52.5/37.5 | 0.12           |
| Taguan 230 O   | 27.01 06 00 | open    | 97/70 x 229 x 52.5/37.5 | 0.15           |
| Taguan 230 G   | 27.01 06 01 | closed  | 97/70 x 229 x 52.5/37.5 | 0.16           |



### Electromechanical and electronic components

Upon request we can supply enclosures ready equipped with electromechanical and electronic components such as display, chipcard-acceptor, interface modules etc.

## Accessories

|                                    |             |   |             |
|------------------------------------|-------------|---|-------------|
| Battery holder for 9 V monoblock   | 27.01 00 94 | Hand strap (T 180)                        | 27.01 04 84 |
| Shaft cover in enclosure colour    | 27.01 02 85 | Hand strap (T 230)                        | 27.01 06 84 |
| Shaft cover transparent            | 27.01 02 86 | Spare display screen set (T 180)          | 27.01 04 88 |
| Shaft cover for infrared           | 27.01 02 87 | Spare display screen set (T 230)          | 27.01 06 88 |
| Battery compartment empty, 0.03 kg | 27.01 00 80 | Spare screws                              | 27.01 00 90 |
| Battery pack NiMH 4.8 V / 2100 mAh | 27.20 00 03 | Head cover, stepped, in enclosure colour  | 27.01 00 85 |
| Connector charger                  | 27.20 00 02 | Head cover, stepped, for infrared         | 27.01 00 87 |
| Battery charging station           | 27.20 00 01 | Head cover, stepped, transparent          | 27.01 00 89 |
| Spring contact, 2-pole             | 27.01 00 82 | Head cover, straight, in enclosure colour | 27.01 00 91 |
| Wrist strap                        | 27.01 00 83 | Head cover, straight, transparent         | 27.01 00 92 |
| Display fixing set (T 180)         | 27.01 04 80 | Head cover, straight, for infrared        | 27.01 00 93 |
| Display fixing set (T 230)         | 27.01 06 80 | Scratch resistant display screen          | on request  |
| Switch mat set 12 keys             | 27.01 00 95 | Push-button and switches see page 53 - 58 | on request  |
| Switch mat set 24 keys             | 27.01 04 81 |   |             |
| Switch mat set 36 keys (T 230)     | 27.01 06 81 |   |             |

## Component mounting options

| Component options  | Type   | Type   | Type   | Type   |
|--|--------|--------|--------|--------|
|  | T180 O | T180 G | T230 O | T230 G |
| Display (max. view area 56 x 33 mm; max. mounting dimensions 66 x 46 mm) | •      |        |        |        |
| Display (max. view area 66 x 43 mm; max. mounting dimensions 78 x 56 mm) |        |        | •      |        |
| Chipcard reader in head section  | •      | •      | •      | •      |
| Chipcard reader in shaft section   | •      | •      | •      | •      |
| Magnetic card reader   | •      | •      | •      | •      |
| Scanner  | •      | •      | •      | •      |
| PCMCIA slot  | •      | •      | •      | •      |
| D-Sub interface 9-pin  | •      | •      | •      | •      |
| D-Sub interface 15-pin   | •      | •      | •      | •      |
| D-Sub interface 25-pin   | •      | •      | •      | •      |
| Battery pack   | •      | •      | •      | •      |
| 4 micro-cells R6 (AA)  | •      | •      | •      | •      |
| 9 V battery  | •      | •      | •      | •      |
| 1st board (main board)   | •      | •      | •      | •      |
| 2nd board (adapter board)  | •      | •      | •      | •      |
| Membrane keypad  | •      | •      | •      | •      |
| Switching mat, 12 keys, in combination with keypad plate                 | •      | •      | •      | •      |
| Switching mat, 24 keys   | •      | •      |        |        |
| Switching mat, 36 keys   |        |        | •      | •      |

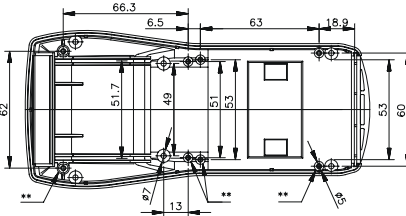
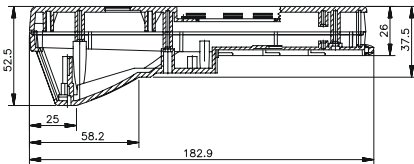
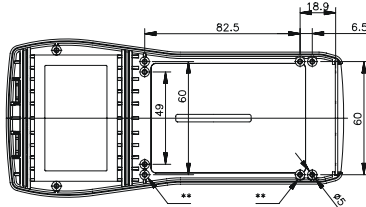
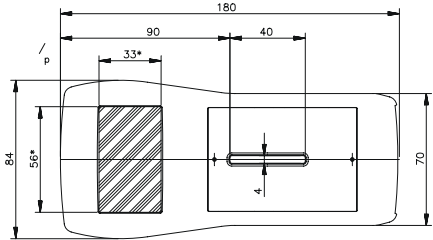
Dimensions



| Type         | Version | Order No.   |
|--------------|---------|-------------|
| Taguan 180 O | open    | 27.01 04 00 |
| Taguan 180 G | closed  | 27.01 04 01 |

(max. PCB size of displays ca. 66 x 46 mm)

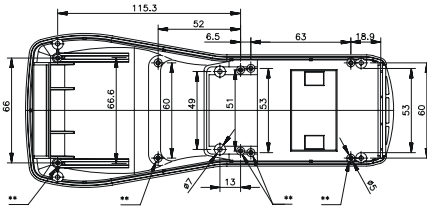
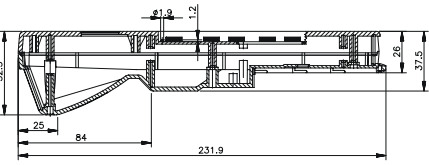
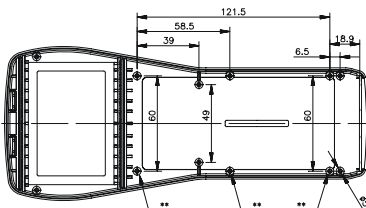
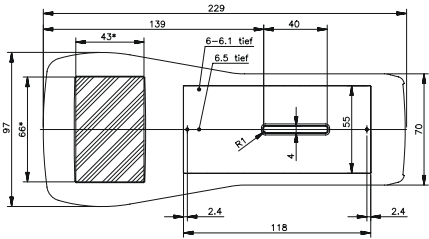
\* = Open version  
 \*\* = PCB mounting boss (screw 2.5 x 5)



| Type         | Version | Order No.   |
|--------------|---------|-------------|
| Taguan 230 O | open    | 27.01 06 00 |
| Taguan 230 G | closed  | 27.01 06 01 |

(max. PCB size of displays ca. 78 x 56 mm)

\* = Open version  
 \*\* = PCB mounting boss (screw 2.5 x 5)





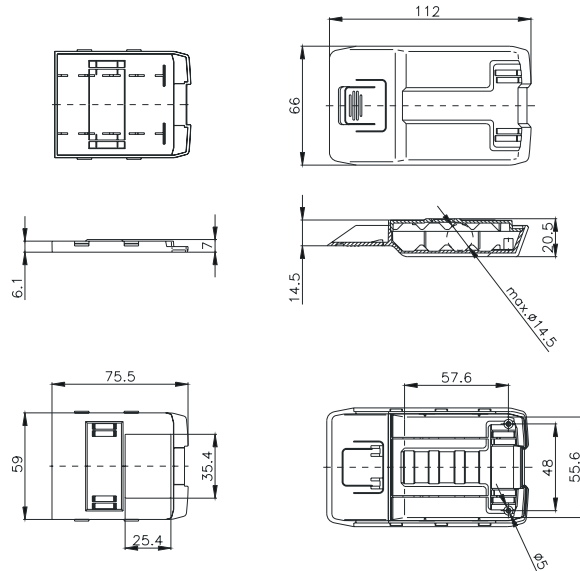
## Accessories



### Battery compartment empty

consisting of battery compartment and lid space for 4 micro-cells R6 (AA) side by side

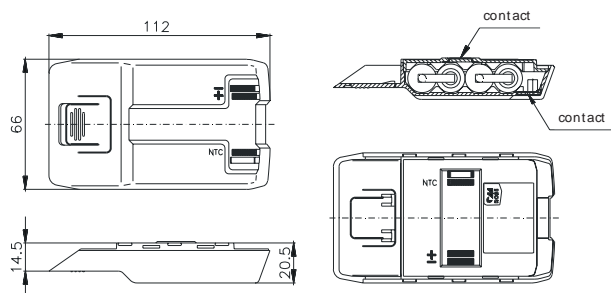
Order No. 27.01 00 80



### Battery pack

NiMH 4.8 V / 2100 mAh

Order No. 27.20 00 03



### Battery holder

for mounting in the bottom part for 9V monobloc.

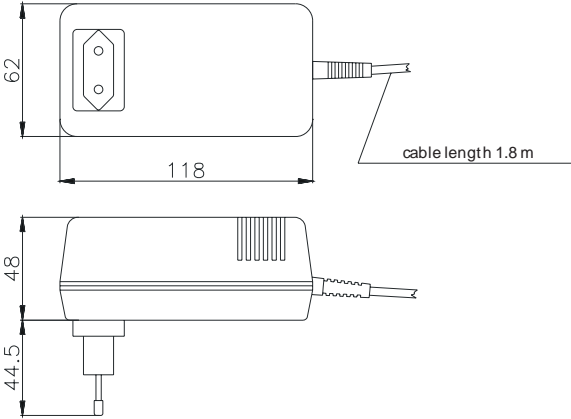
Order No. 27.01 00 94

Accessories



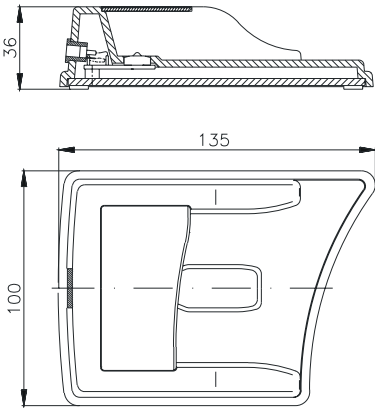
**Connector charger**  
with primary adapter

Order No. 27.20 00 02



**Battery charging station**

Order No. 27.20 00 01



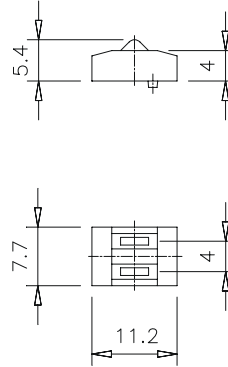
## Accessories



### Spring contact 2-pol.

Counter-contacts for the battery pack (Company Bourns, type 70ADJ002ML1), for mounting in enclosure bottom part

Order No. **27.01 00 82**

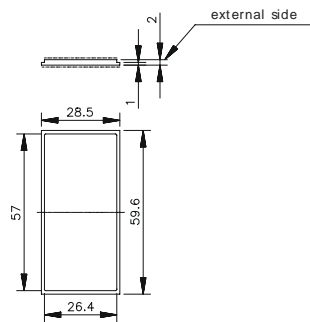


### Head cover

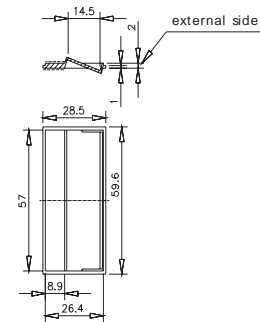
| Version                     | Order No.          |
|-----------------------------|--------------------|
| stepped in enclosure colour | <b>27.01 00 85</b> |
| stepped transparent         | <b>27.01 00 89</b> |
| stepped for infrared        | <b>27.01 00 87</b> |
| even in enclosure colour    | <b>27.01 00 91</b> |
| even transparent            | <b>27.01 00 92</b> |
| even for infrared           | <b>27.01 00 93</b> |

units per pack: 1 pc

even



stepped



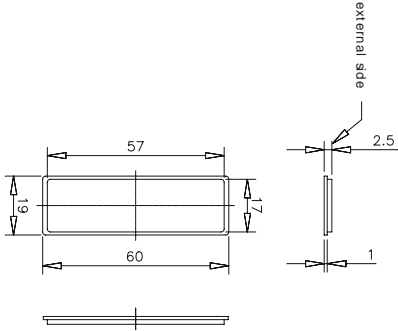
Accessories



**Shaft cover**

| Version             | Order No.          |
|---------------------|--------------------|
| in enclosure colour | <b>27.01 02 85</b> |
| transparent         | <b>27.01 02 86</b> |
| for infrared        | <b>27.01 02 87</b> |

units per pack: 1 pc

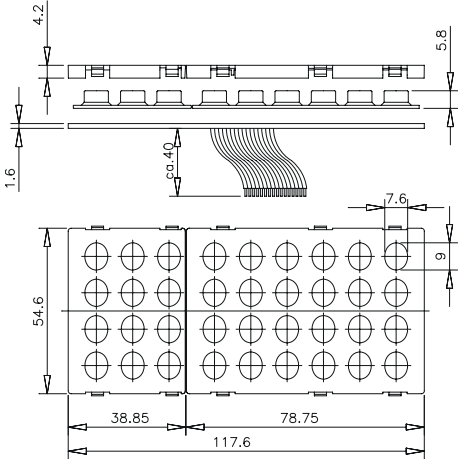


**Switching mat set**

consisting of keypad plate, silicone switching mat and keypad circuit board with connecting cable

| for type       | No. of keys | Order No.          |
|----------------|-------------|--------------------|
| Taguan 180/230 | 12* / **    | <b>27.01 00 95</b> |
| Taguan 180     | 24**        | <b>27.01 04 81</b> |
| Taguan 230     | 36          | <b>27.01 06 81</b> |

\* Please remember the modification of the toppart for the flat cable  
 \*\* Please not different heights by combination with closed cover



## Accessories



**Display fixing set**  
for variable display mounting



**Hand strap**  
with Velcro fastener for adjustment, consisting of holding strap, adapter and screws



**Wrist strap**  
to prevent falling down, or as carrying aid

Order No. **27.01 00 83**

| Version for | Order No.          |
|-------------|--------------------|
| Taguan 180  | <b>27.01 04 80</b> |
| Taguan 230  | <b>27.01 06 80</b> |

| Version for | Order No.          |
|-------------|--------------------|
| Taguan 180  | <b>27.01 04 84</b> |
| Taguan 230  | <b>27.01 06 84</b> |