

# Mobile Control Units 2911 / 2912 / 2913

## Industrial Handheld Enclosure Series



For Finishing Services, Product Support, or to Order

Call 1-301-696-9800



- Polyamide / PVC hand held enclosure for MCR and automation engineering
- Large fitting space
- Variable length using profile technology
- Optional EMC version with internal enclosure in aluminium

#### Included in delivery

Enclosure system consisting of Polyamide internal enclosure with end covers, two side PVC cover profiles, Alucobond composite front panel, rear panel, 2 external end covers, with M 25 x 1,5 threaded hole for cable gland

#### Technical data

##### Material:

polyamide / PVC

##### Ingress protection:

IP 65 to EN 60529

##### Impact resistance:

5 Joule to EN 60079-0

##### Flammability:

end covers: HB / UL 94

##### Color:

end covers: RAL 1003, yellow

PVC-profile: RAL 9005, jet black

##### Temperature range:

-20°C to +70°C

# Pilot 50

## Program Range

Ext. encl. dimensions W x L x H (mm)	Standard complete	EMCcomplete	Standard enclosure body without front panel	Standard rear panel seperate	Standard front panel separate	Standard rear panel recessed
191 x 280 x 76	29.11 10 00*	29.14 10 00	29.11 00 00	29.11 00 01	29.11 00 02	-
191 x 330 x 76	29.12 10 00	29.15 10 00	29.12 00 00	29.12 00 01	29.12 00 02	-
191 x 440 x 76	29.13 10 00	29.16 10 00	29.13 00 00	29.13 00 01	29.13 00 02	29.13 00 03
Special length	29.19 10 00	29.17 10 00	29.19 00 00	29.19 00 01	29.19 00 02	-

\* Modification for fitting of Siemens OP7 on request (ingress protection IP 54)

## Accessories

Cable gland with bending protection M 25 x 1,5	08.10 01 25
Cable gland reduction M 25 / M 12	08.01 25 12
Cable gland reduction M 25 / M 16	08.01 25 16
Cable gland reduction M 25 / M 20	08.01 25 20
Spring nuts M4 for internal fixing, set of 4 pcs	29.00 00 50
PCB fixings, set of 4 pcs incl. spring nuts	29.00 00 60
Wall holder (set single)	29.00 00 70
Magnetic wall fixing, 1 pc	29.00 00 80
Wall fixing incl. enclosure modification	29.00 10 00
Push button and switches see page 53 - 58	on request



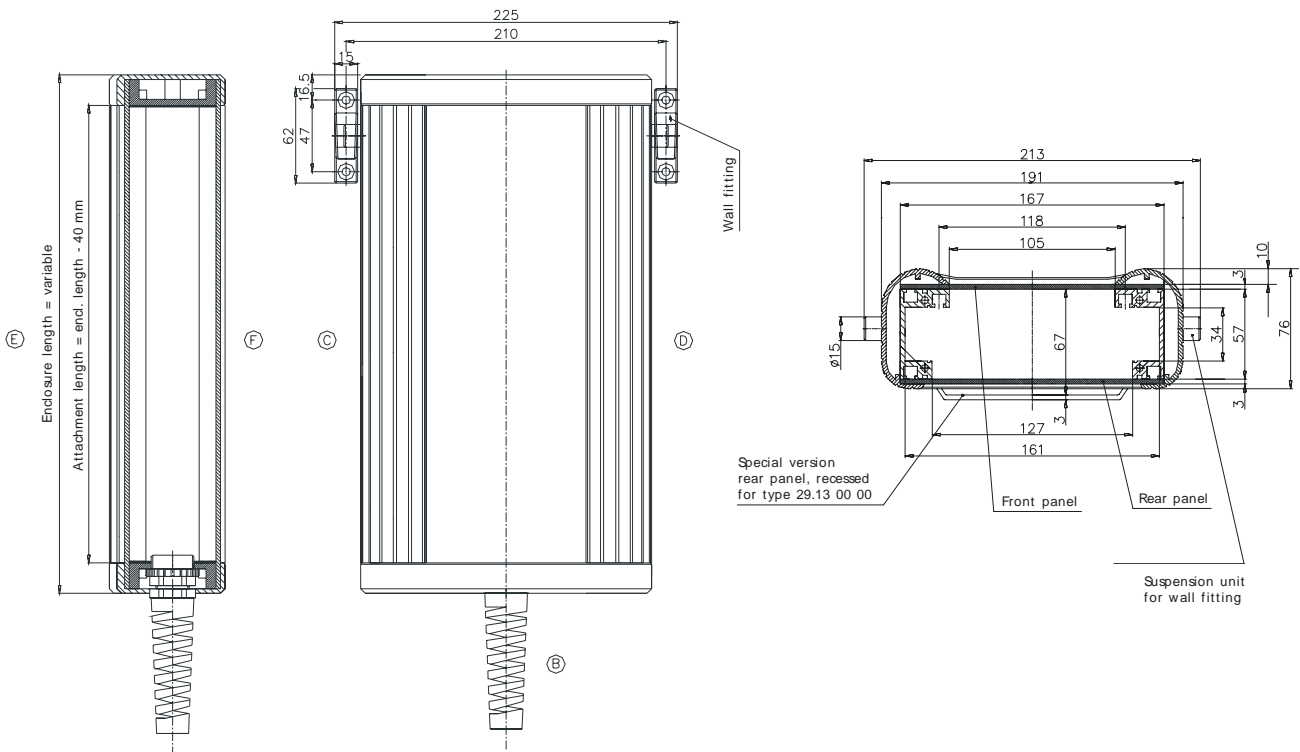
### Electromechanical components

On request, we can supply equipment fitted with electro-mechanical components such as emergency stop button, acknowledge keys, hand wheel, switches, display

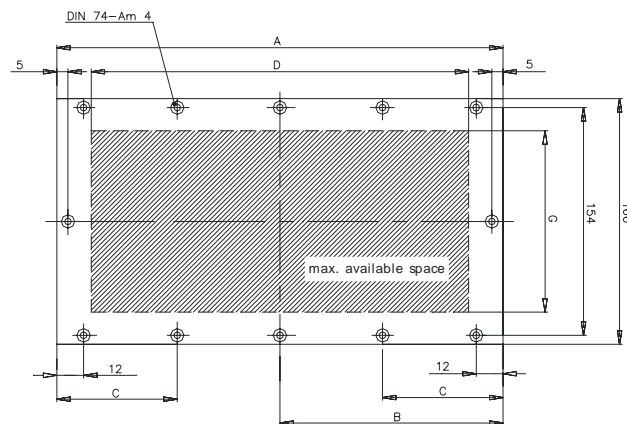
Dimensions



Standard	EMC	Dimensions	Weight (kg)
<b>29.11 10 00</b>	<b>29.14 10 00</b>	280 x 191 x 76	1.660
<b>29.12 10 00</b>	<b>29.15 10 00</b>	330 x 191 x 76	1.900
<b>29.13 10 00</b>	<b>29.16 10 00</b>	440 x 191 x 76	2.200
<b>29.19 10 00</b>	<b>29.17 10 00</b>	Special length	



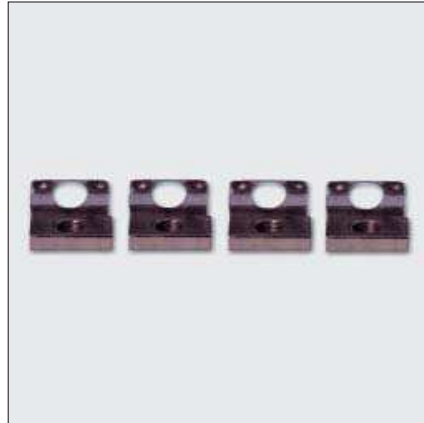
Type	A	B	C	D	G
<b>29.11 10 00</b>	274	-	92	240	105/127
<b>29.12 10 00</b>	324	162	81	290	105/127
<b>29.13 10 00</b>	434	217	109	400	105/127
Special size, $A \leq 300$ mm	enclosure length - 6	-	A/3	A - 34	105/127
Special size, $A \geq 300$ mm	enclosure length - 6	A/2	A/4	A - 34	105/127



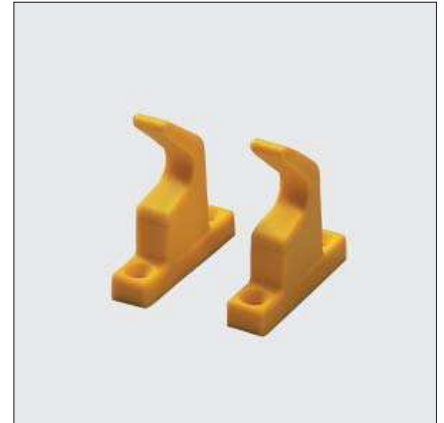
## Accessories



**Circuit board fitting**  
Set = 4 pcs with spring nuts  
Order No. 29.00 00 60



**Set of spring nuts**  
Spring nuts for internal mounting; set = 4 pcs  
Order No. 29.00 00 50



**Wall fitting**  
Order No. 29.00 00 70



Pilot with small control device



Inner T-slots offer mounting facilities on all sides



EMC version



Variable fittings