

# EuroLite

Polycarbonate Watertight Enclosure



For Finishing Services, Product Support, or to Order

Call 1-301-696-9800



**Four new flat versions** round off this innovative and successful IP65 enclosure line.

Made of high-quality polycarbonate, this enclosure line offers a wide range of benefits due to its easy-to-use screw mounting system and the additional mounting bosses in the enclosure base.

The versions with a recessed membrane keypad area (-F) and/or PCB

## The Euroflat line

In addition to the mounting bosses, a PCB can be clamp-fitted between the upper and lower sections.

More space is available because there are no bosses for terminal blocks.

Some come with mounting bosses for Eurocard 100 x 160 mm and 100 x 220 mm in the lower section.

plug-in slots (-LP/FLP are ideal for use as electronic enclosures.

This enclosure is especially easy to recycle because there are no molded-in metal parts, and in each case only one type of plastic is used.

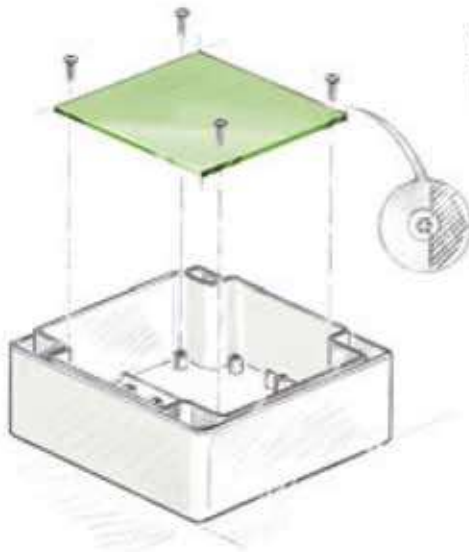
**Enclosure material:** Polycarbonate  
**Color:** Light grey, similar to RAL 7035.  
**Scope of delivery:** Upper and lower section; self-tapping coarse thread lid screws made of V2A; max. unscrewing force 45 Ncm.  
**Ingress protection:** IP 65/DIN EN 60529; increased protection on request.  
**Lid seal:** Sponge cord (neoprene) in lid groove.

**Accessories (additional charge):**  
**M:** Mounting plate, laminated paper (Pertinax)  
**SA:** Screw covers, 1 set = 6 pcs  
**GF:** Set of rubber feet = 4 pcs  
**WL:** Set of wall brackets = 4 pcs  
**TS 15:** Top hat rail DIN EN 60715 TH15  
**TS 32:** G-rail DIN EN 60715 G 32  
**TS 35:** Top hat rail DIN EN 60715 TH35

**Notes:**

- **F-version** with recessed area in upper section for flush-fitting of membrane keypads
- **LP-version** in lower section with plug-in slots for PCBs
- We recommend fitting the mounting plate or the DIN-rails with self-tapping screws, see page 642
- Cable glands, see page page 614 ff.
- Terminal assignment, see page 387

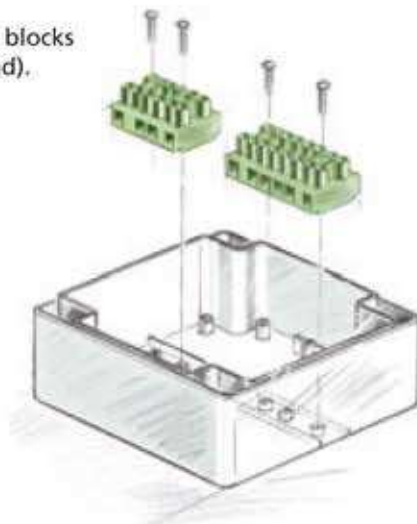
**Off-set bosses** for clamping rectangular PCBs or mounting plates (not included in BOPLA range).



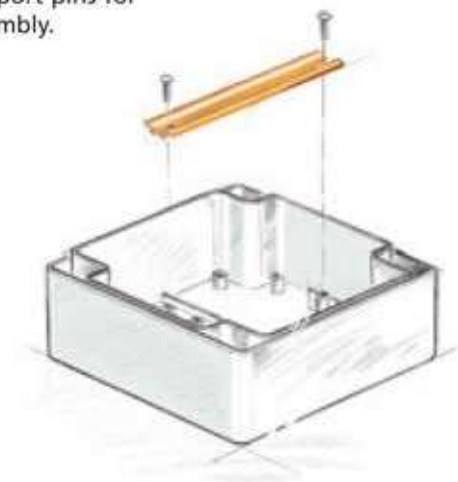
**Standard mounting plate fixing**, incl. some which can be fitted in the lid.

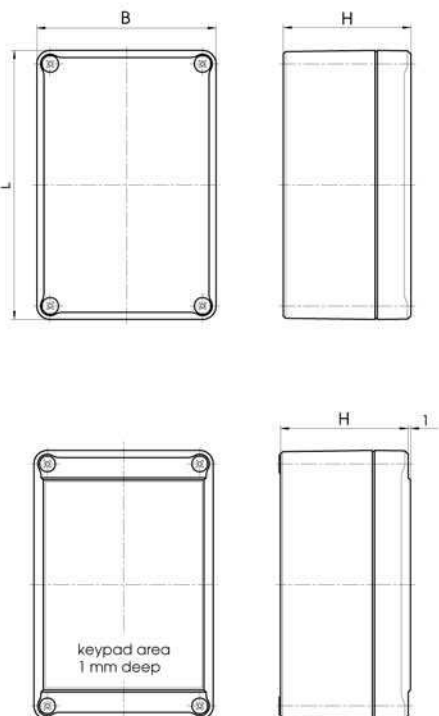


**Bosses for terminal blocks** (Type KL 16, Wieland).



**Bosses with side support pins** for non-tilt DIN-rail assembly.





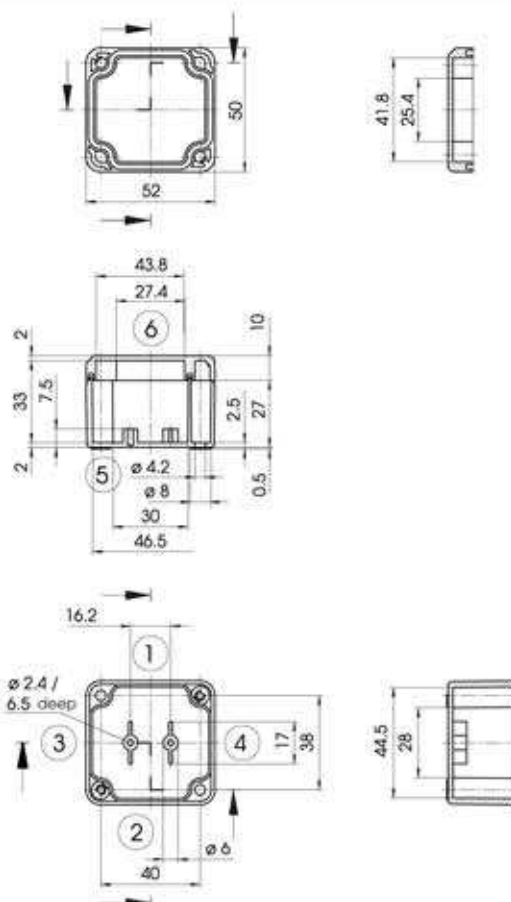
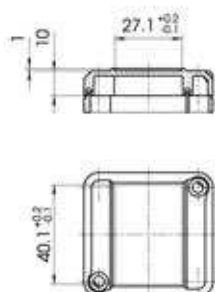
Polycarbonate enclosures		Size		
Model	Order no.	L	W	H
EM 205	62205000	52	50	37
▶ EM 205 F	62205200	52	50	37
EM 206	62206000	65	50	37
▶ EM 206 F	62206200	65	50	37
▶ EM 207 LP	62207300	82	60	57
▶ EM 207 F-LP	62207400	82	60	57
EM 208	62208000	98	64	38
EM 208 F	62208200	98	64	38
EM 210	62210000	82	80	57
▶ EM 210 F	62210200	82	80	57
EM 212	62212000	100	100	57
▶ EM 212 F	62212200	100	100	57
▶ EM 213	62213000	122	120	37
▶ EM 213 F	62213200	122	120	37
▶ EM 214 LP	62214300	200	120	57
▶ EM 214 F-LP	62214400	200	120	57
EM 215	62215000	120	80	57
EM 215 F	62215200	120	80	57
▶ EM 217	62217000	122	120	57
▶ EM 217 F	62217200	122	120	57
▶ EM 218 LP	62218300	150	150	57
▶ EM 218 F-LP	62218400	150	150	57
EM 220	62220000	160	80	57
EM 220 F	62220200	160	80	57
EM 221	62221000	200	120	77
▶ EM 221 F	62221200	200	120	77
▶ EM 223	62223000	200	150	77
EM 223 F	62223200	200	150	77
▶ EM 224 LP	62224300	240	80	60
▶ EM 224 F-LP	62224400	240	80	60
▶ EM 225	62225000	82	80	87
▶ EM 225 F	62225200	82	80	87
EM 227	62227000	122	120	87
EM 227 F	62227200	122	120	87
▶ EM 229	62229000	160	80	37
▶ EM 229 F	62229200	160	80	37
▶ EM 231	62231000	160	80	87
▶ EM 231 F	62231200	160	80	87
▶ EM 232	62232000	200	150	37
▶ EM 232 F	62232200	200	150	37
▶ EM 233	62233000	250	160	37
▶ EM 233 F	62233200	250	160	37
▶ EM 236 LP	62236300	240	80	80
▶ EM 236 F-LP	62236400	240	80	80
EM 237	62237000	200	120	92
▶ EM 237 F	62237200	200	120	92
EM 238	62238000	160	120	92
EM 238 F	62238200	160	120	92
EM 239	62239000	250	160	57
▶ EM 239 F	62239200	250	160	57
▶ EM 240	62240000	250	160	92
▶ EM 240 F	62240200	250	160	92
▶ EM 241	62241000	250	160	122
▶ EM 241 F	62241200	250	160	122
▶ EM 242	62242000	240	120	102
▶ EM 242 F	62242200	240	120	102
▶ EM 247 LP	62247300	300	160	120
▶ EM 247 F-LP	62247400	300	160	120

**Order designation**

Model	Material	Order no.
EM 205	PC	62205000

Model	Material	Order no.
EM 205 F	PC	62205200

(F = with membrane keypad area)



EM 205 (F)

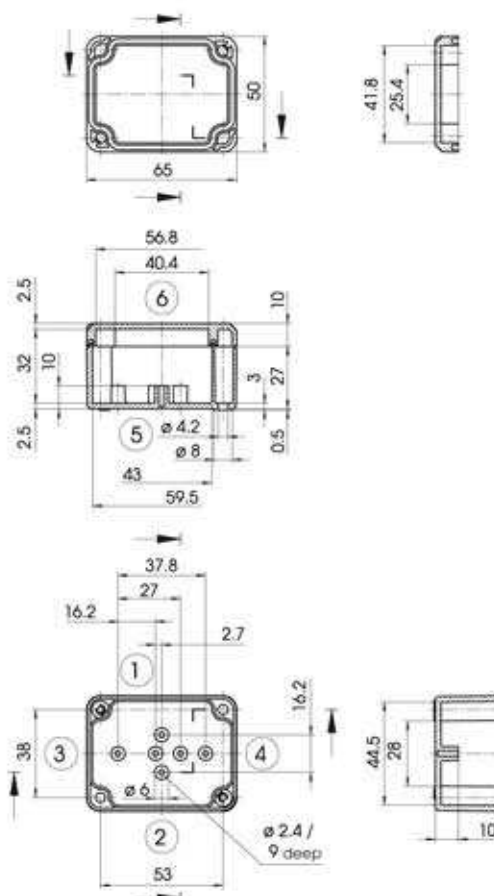
2-2500872

**Order designation**

Model	Material	Order no.
EM 206	PC	62206000

Model	Material	Order no.
EM 206 F	PC	62206200

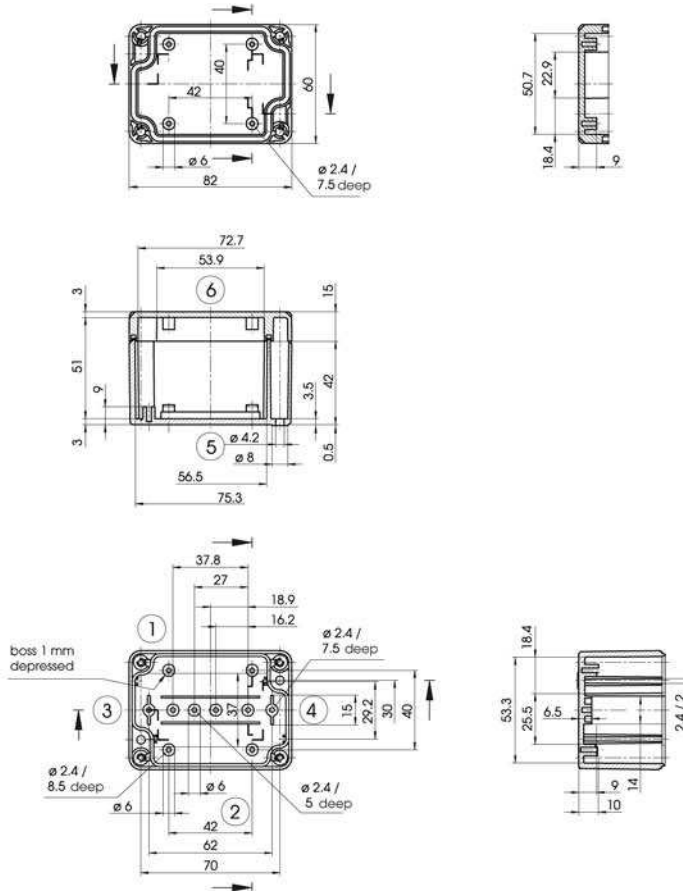
(F = with membrane keypad area)



EM 206 (F)

2-2500873

## EM 207 (F) LP



### Order designation

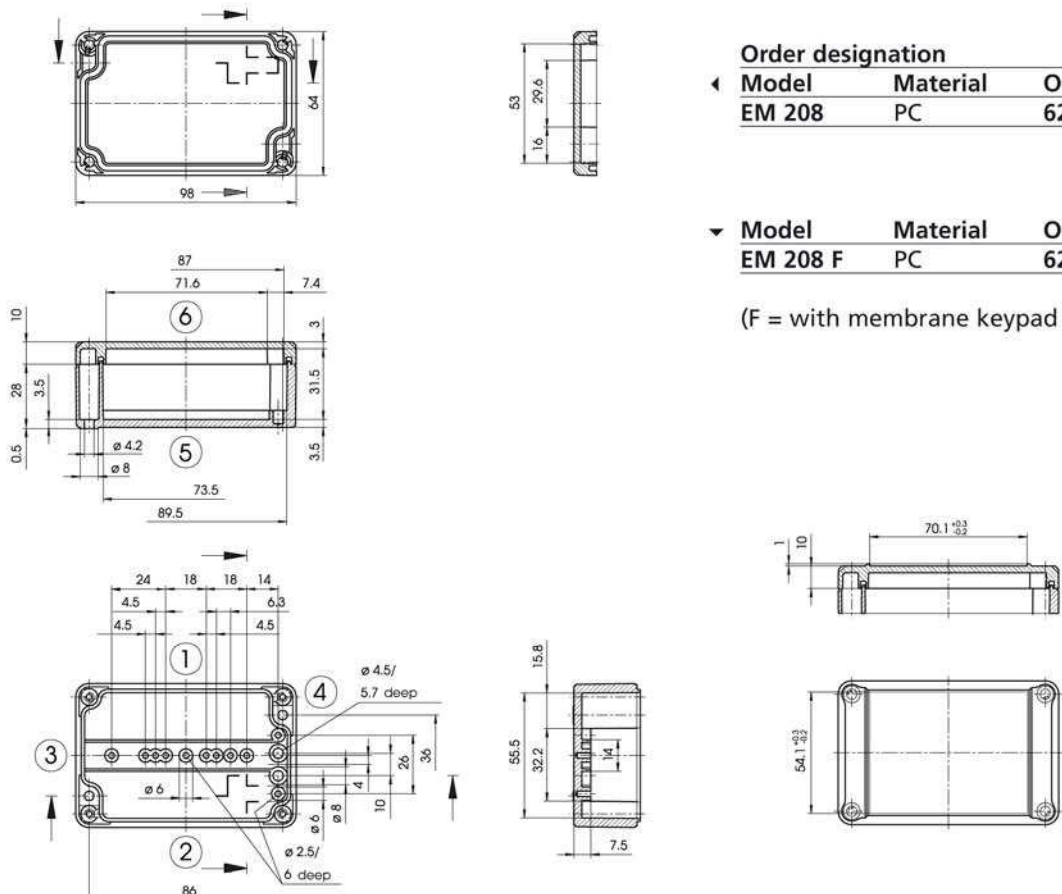
Model	Material	Order no.
EM 207 LP	PC	62207300

Model	Material	Order no.
EM 207 F-LP	PC	62207400

(F = with membrane keypad area, LP = with PCB plug-in slots)

Z-2500874

## EM 208 (F)



### Order designation

Model	Material	Order no.
EM 208	PC	62208000

Model	Material	Order no.
EM 208 F	PC	62208200

(F = with membrane keypad area)

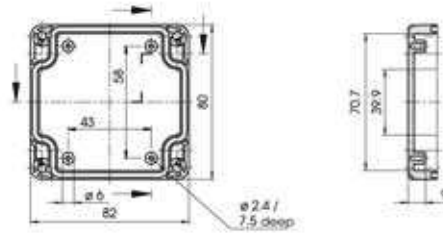
Z-2500875

**Order designation**

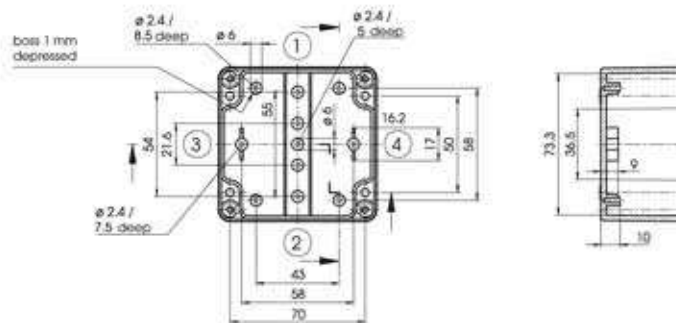
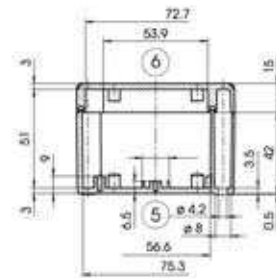
Model	Material	Order no.
EM 210	PC	62210000

Model	Material	Order no.
EM 210 F	PC	62210200

(F = with membrane keypad area)



EM 210 (F)



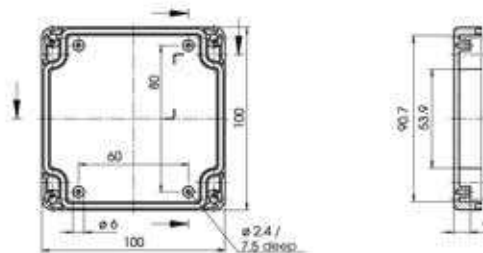
2-2500876

**Order designation**

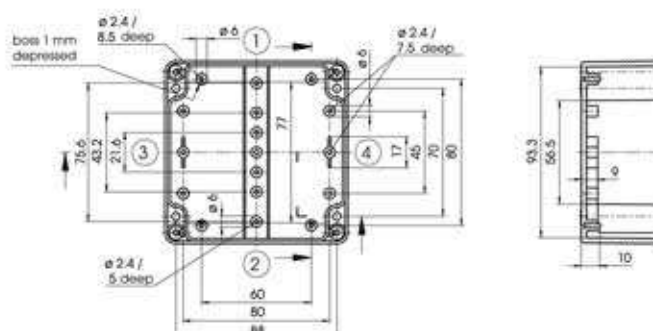
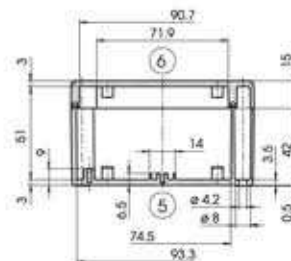
Model	Material	Order no.
EM 212	PC	62212000

Model	Material	Order no.
EM 212 F	PC	62212200

(F = with membrane keypad area)



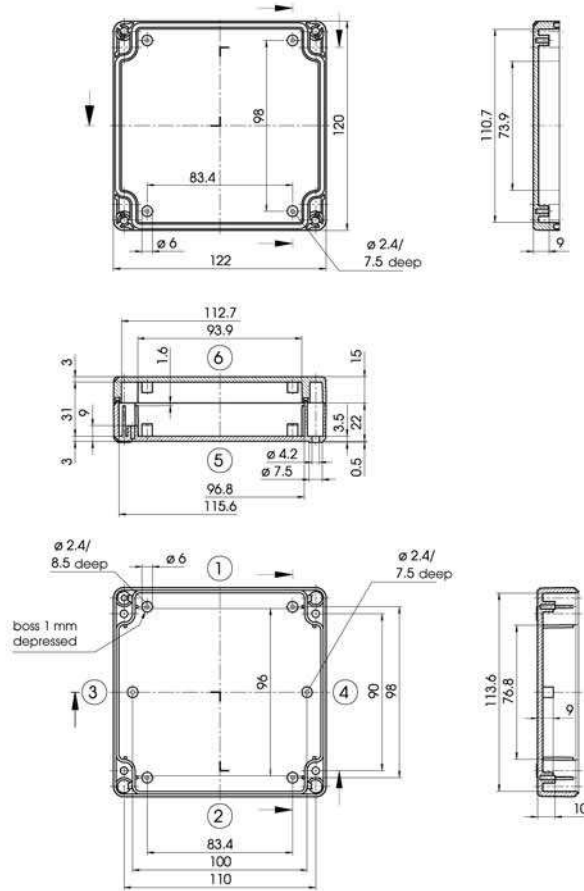
EM 212 (F)



2-2500877

## EM 213 (F)

In addition to the mounting bosses, a PCB can be clamp-fitted between the upper and lower sections. More space is available because there are no bosses for terminal blocks.



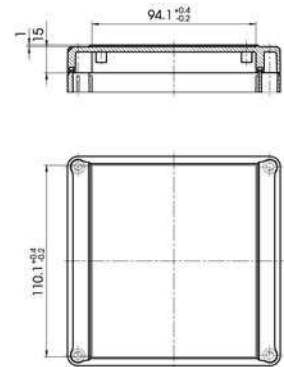
### Order designation

Model	Material	Order no.
EM 213*	PC	62213000

Model	Material	Order no.
EM 213 F*	PC	62213200

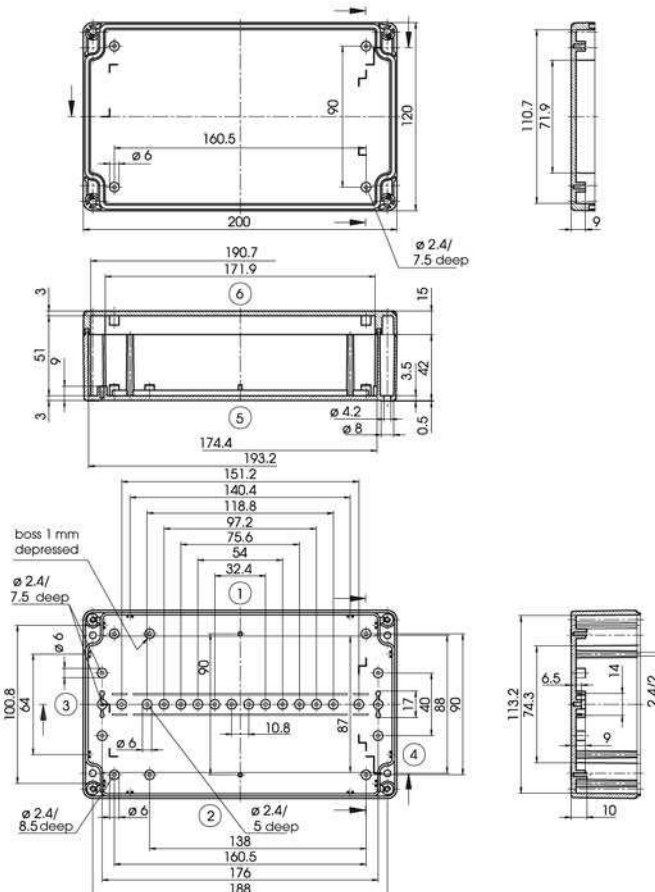
(F = with membrane keypad area)

\* available on request



Z-2501705

## EM 214 (F) LP

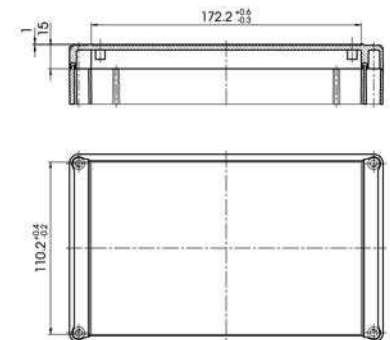


### Order designation

Model	Material	Order no.
EM 214 LP	PC	62214300

Model	Material	Order no.
EM 214 F-LP	PC	62214400

(F = with membrane keypad area, LP = with PCB plug-in slots)



Z-2501001



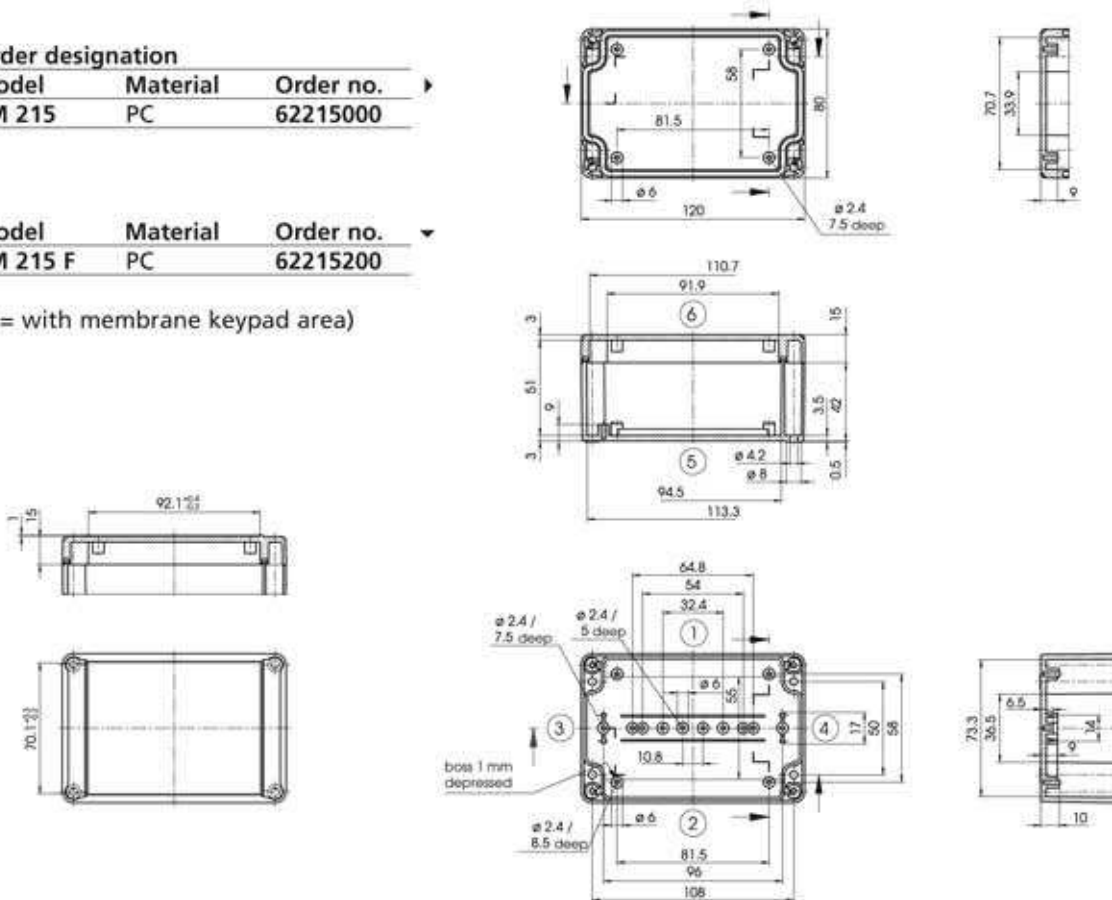
**Order designation**

Model	Material	Order no.
EM 215	PC	62215000

Model	Material	Order no.
EM 215 F	PC	62215200

(F = with membrane keypad area)

EM 215 (F)



Z-2500878

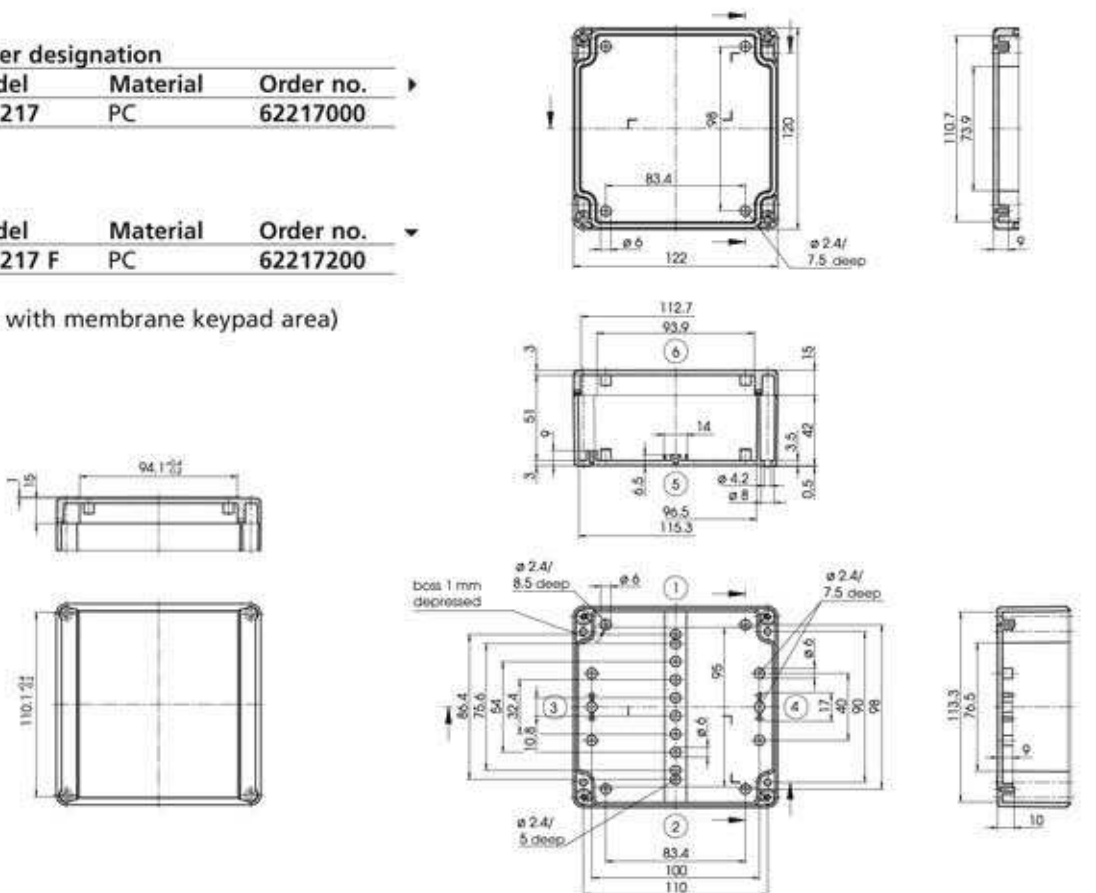
**Order designation**

Model	Material	Order no.
EM 217	PC	62217000

Model	Material	Order no.
EM 217 F	PC	62217200

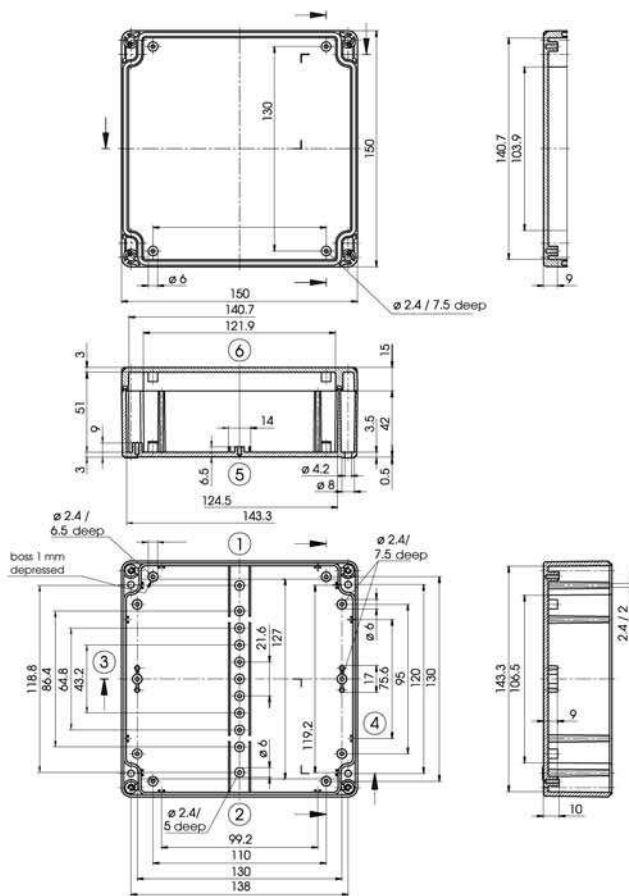
(F = with membrane keypad area)

EM 217 (F)



Z-250983

## EM 218 (F) LP

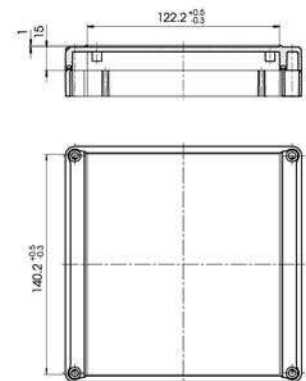


### Order designation

Model	Material	Order no.
EM 218 LP	PC	62218300

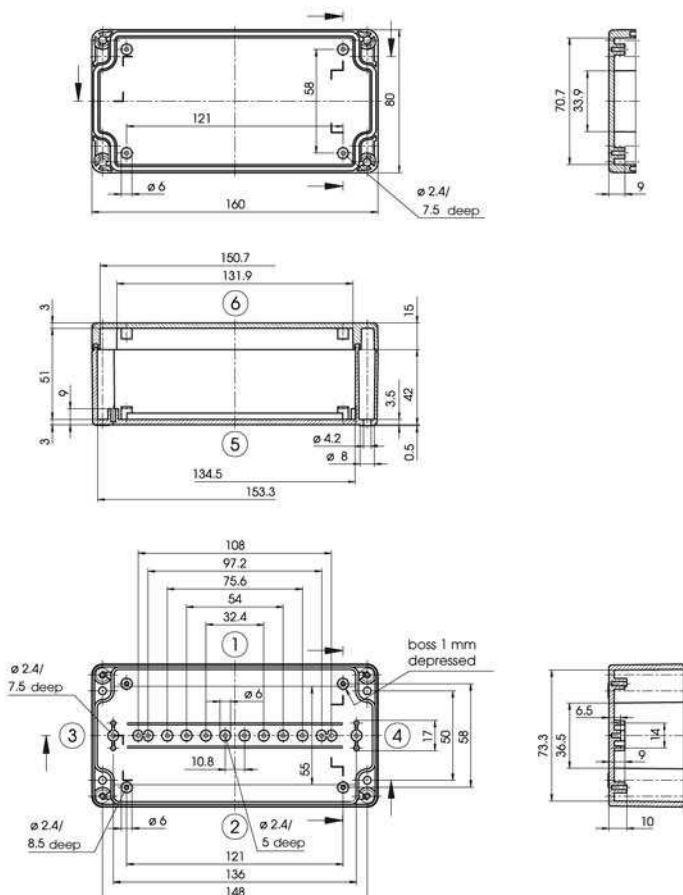
Model	Material	Order no.
EM 218 F-LP	PC	62218400

(F = with membrane keypad area, LP = with PCB plug-in slots)



Z-2500871

## EM 220 (F)

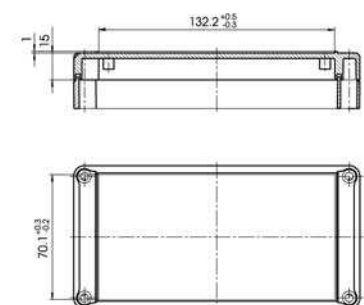


### Order designation

Model	Material	Order no.
EM 220	PC	62220000

Model	Material	Order no.
EM 220 F	PC	62220200

(F = with membrane keypad area)



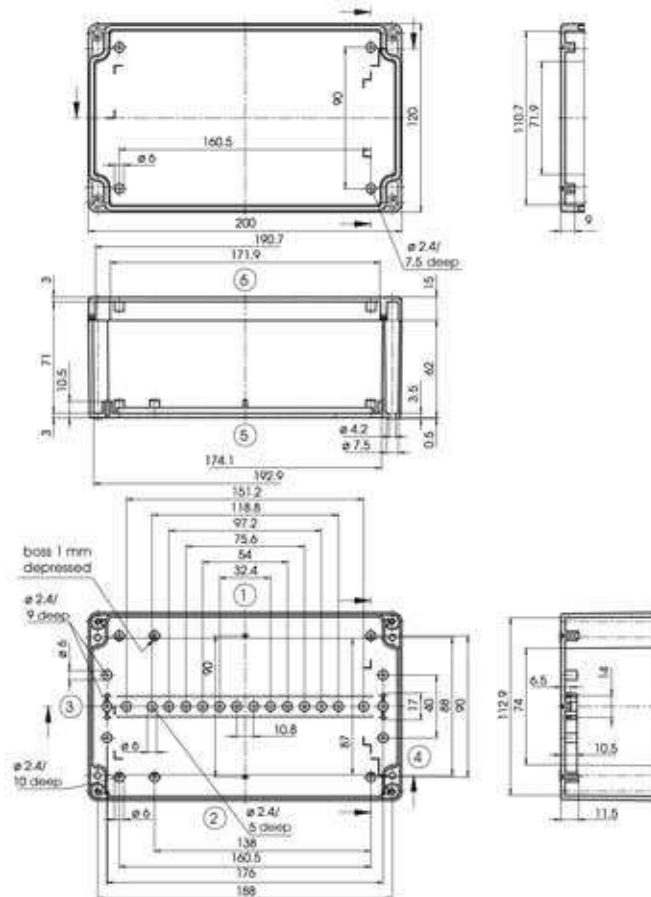
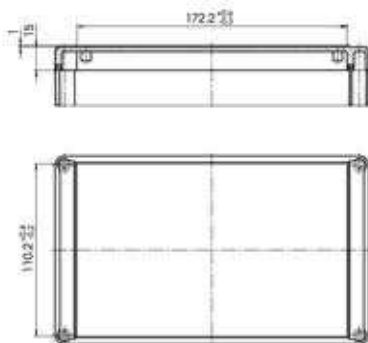
Z-2500879

**Order designation**

Model	Material	Order no.
EM 221	PC	62221000

Model	Material	Order no.
EM 221 F	PC	62221200

(F = with membrane keypad area)



EM 221 (F)

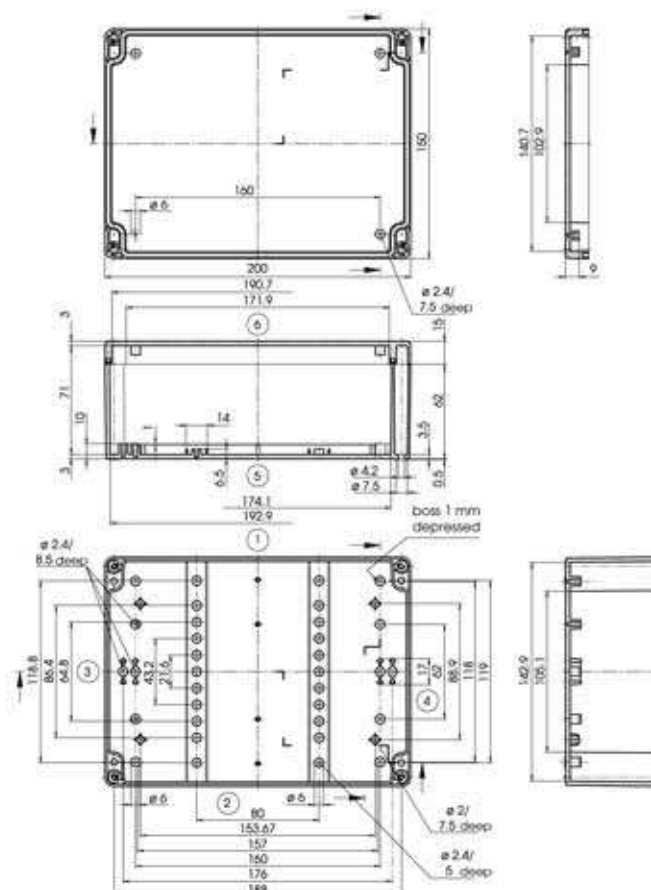
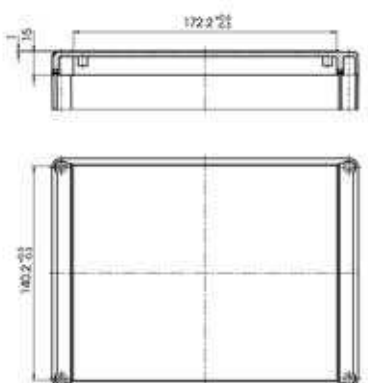
2-2500880

**Order designation**

Model	Material	Order no.
EM 223	PC	62223000

Model	Material	Order no.
EM 223 F	PC	62223200

(F = with membrane keypad area)

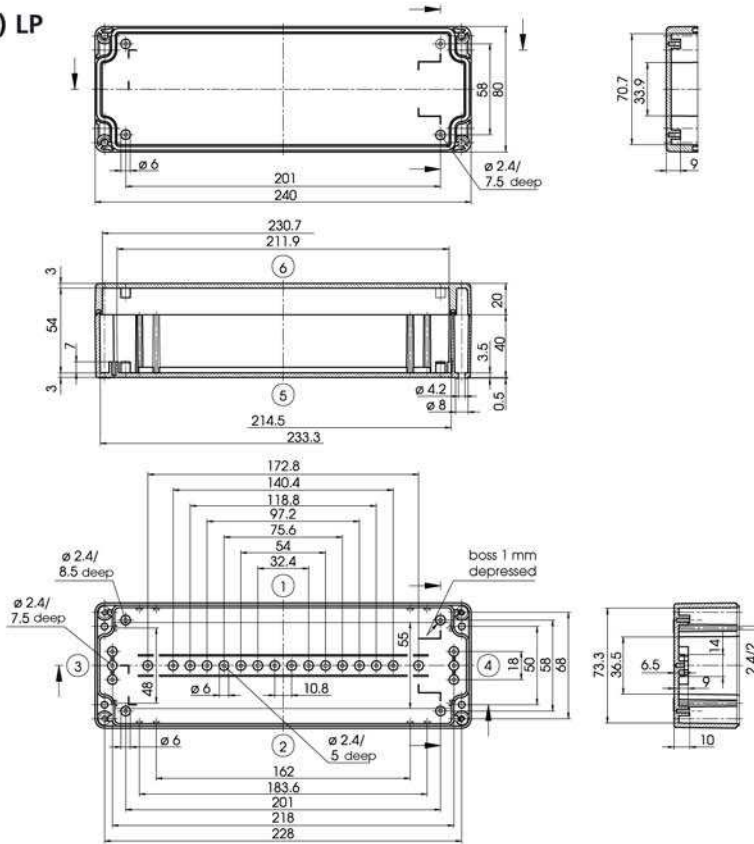


EM 223 (F)

This model has additional bosses to permit fitting of a Eurocard 100 x 160.  
Please order the appropriate mounting set EM 223-BS 160 separately.  
Order no. 22223002.

2-2500997

## EM 224 (F) LP

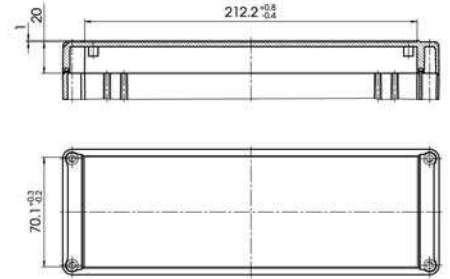


### Order designation

Model	Material	Order no.
EM 224 LP	PC	62224300

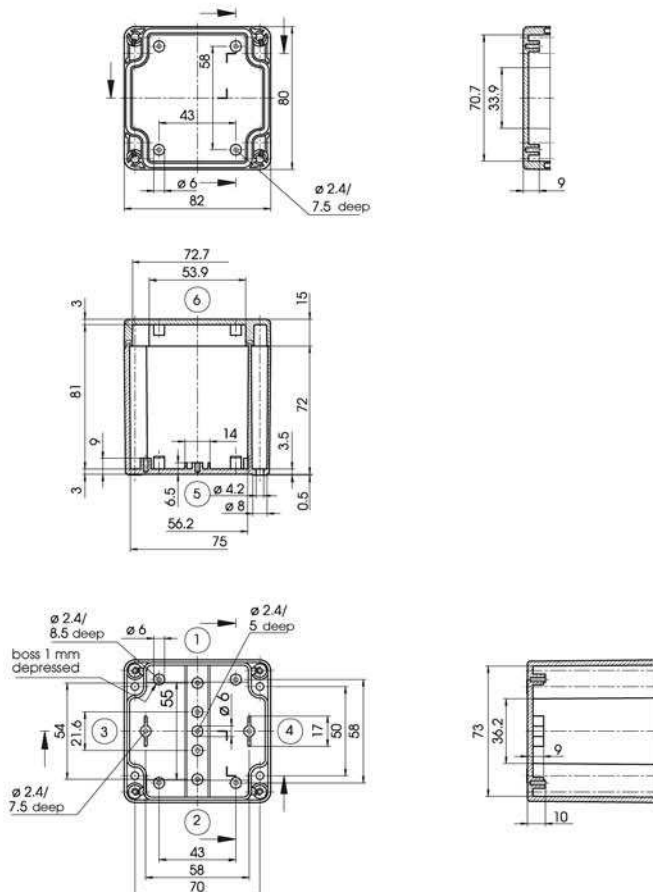
Model	Material	Order no.
EM 224 F-LP	PC	62224400

(F = with membrane keypad area, LP = with PCB plug-in slots)



Z-2500974

## EM 225 (F)

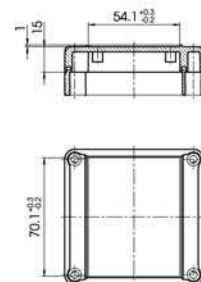


### Order designation

Model	Material	Order no.
EM 225	PC	62225000

Model	Material	Order no.
EM 225 F	PC	62225200

(F = with membrane keypad area)



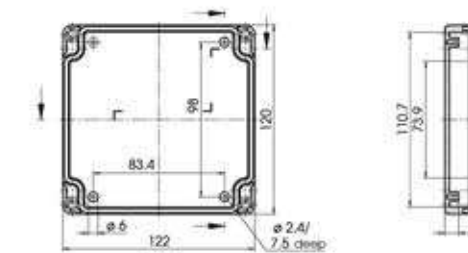
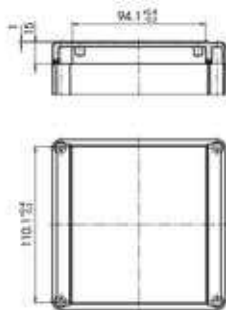
Z-2501000

**Order designation**

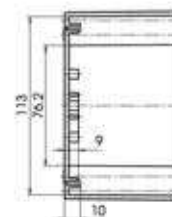
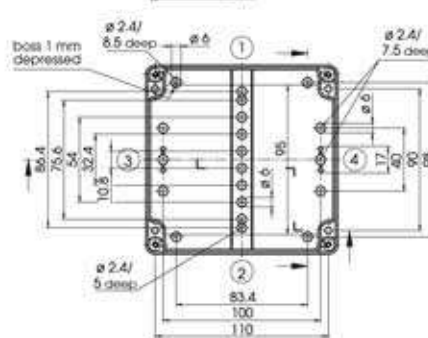
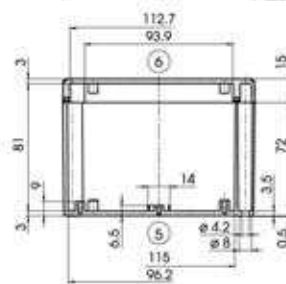
Model	Material	Order no.
EM 227	PC	62227000

Model	Material	Order no.
EM 227 F	PC	62227200

(F = with membrane keypad area)



EM 227 (F)



2-2500984

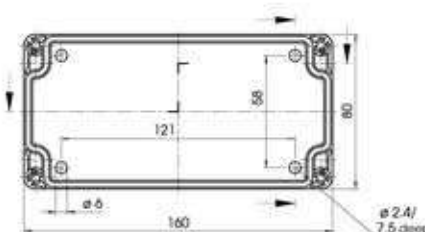
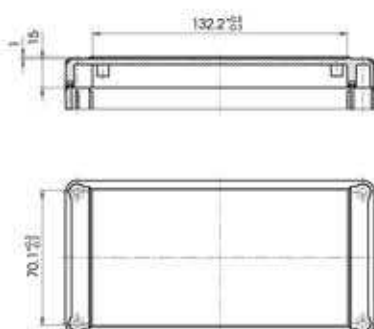
**Order designation**

Model	Material	Order no.
EM 229*	PC	62229000

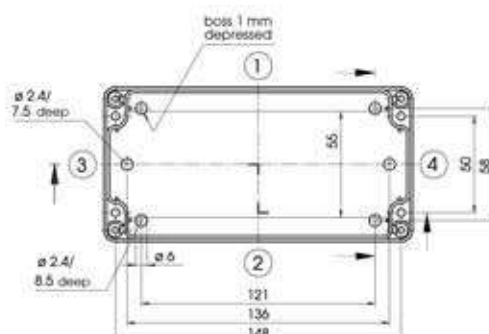
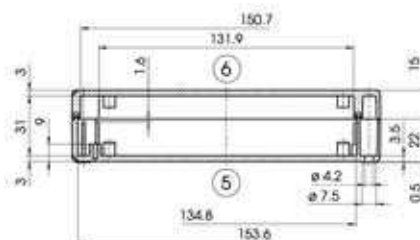
Model	Material	Order no.
EM 229 F*	PC	62229200

(F = with membrane keypad area)

\* available on request



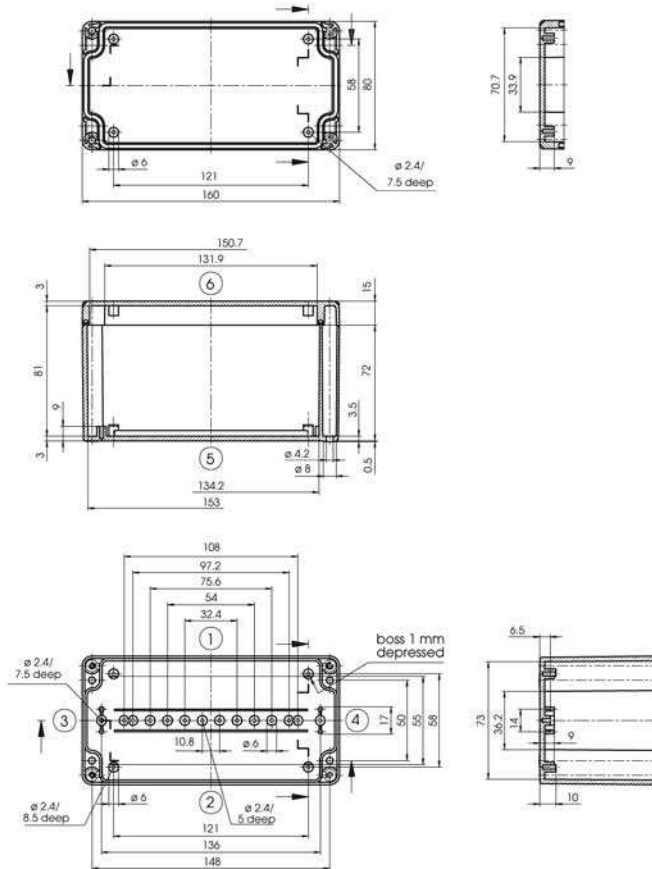
EM 229 (F)



In addition to the mounting bosses, a PCB can be clamp-fitted between the upper and lower sections. More space is available because there are no bosses for terminal blocks.

2-2501706

## EM 231 (F)

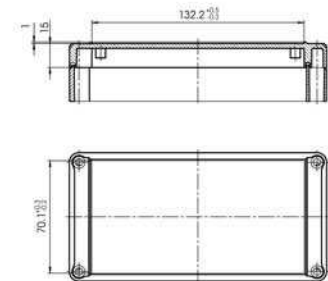


### Order designation

Model	Material	Order no.
EM 231	PC	62231000

Model	Material	Order no.
EM 231 F	PC	62231200

(F = with membrane keypad area)

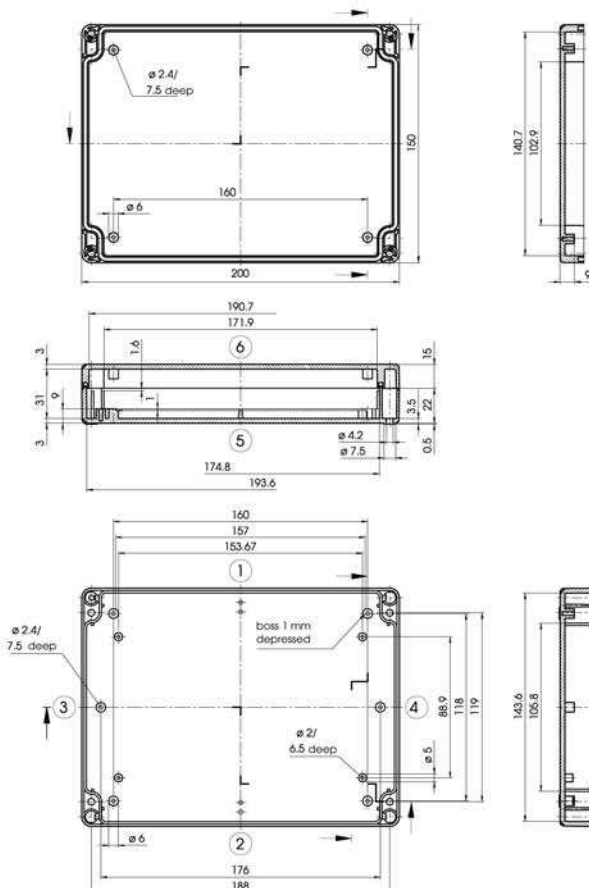


Z-2500907

## EM 232 (F)

In addition to the mounting bosses, a PCB can be clamp-fitted between the upper and lower sections. More space is available because there are no bosses for terminal blocks.

With mounting bosses for Euro-card 100 x 160 mm in the lower section.



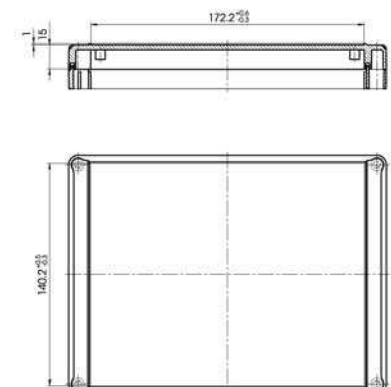
### Order designation

Model	Material	Order no.
EM 232*	PC	62232000

Model	Material	Order no.
EM 232 F*	PC	62232200

(F = with membrane keypad area)

\* available on request



Z-2501707

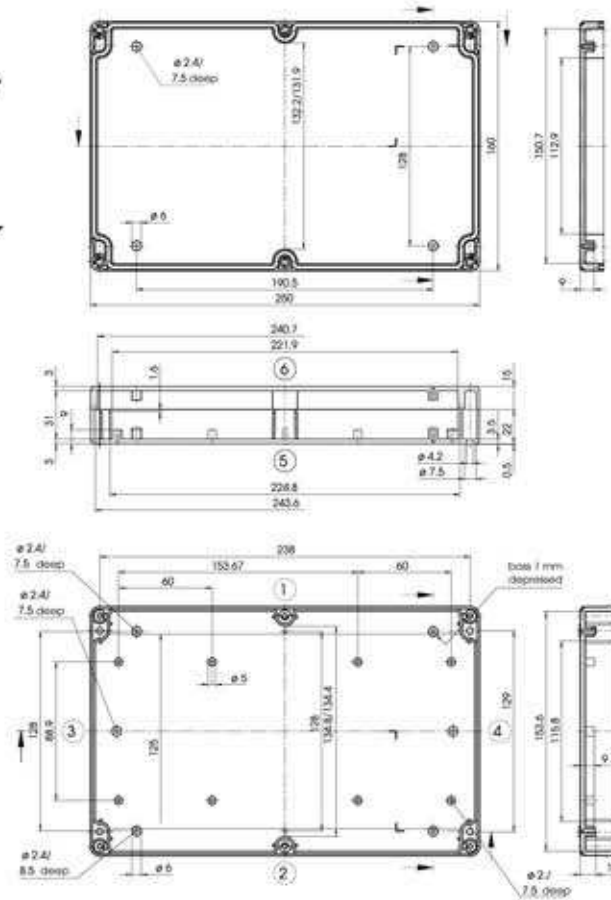
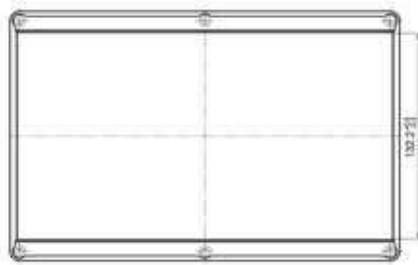
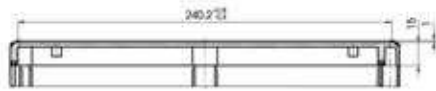
**Order designation**

Model	Material	Order no.
EM 233*	PC	62233000

Model	Material	Order no.
EM 233 F*	PC	62233200

(F = with membrane keypad area)

\* available on request



**EM 233(F)**

In addition to the mounting bosses, a PCB can be clamp-fitted between the upper and lower sections.

More space is available because there are no bosses for terminal blocks.

With mounting bosses for Euro-card 100 x 160 mm and 100 x 220 mm in the lower section.

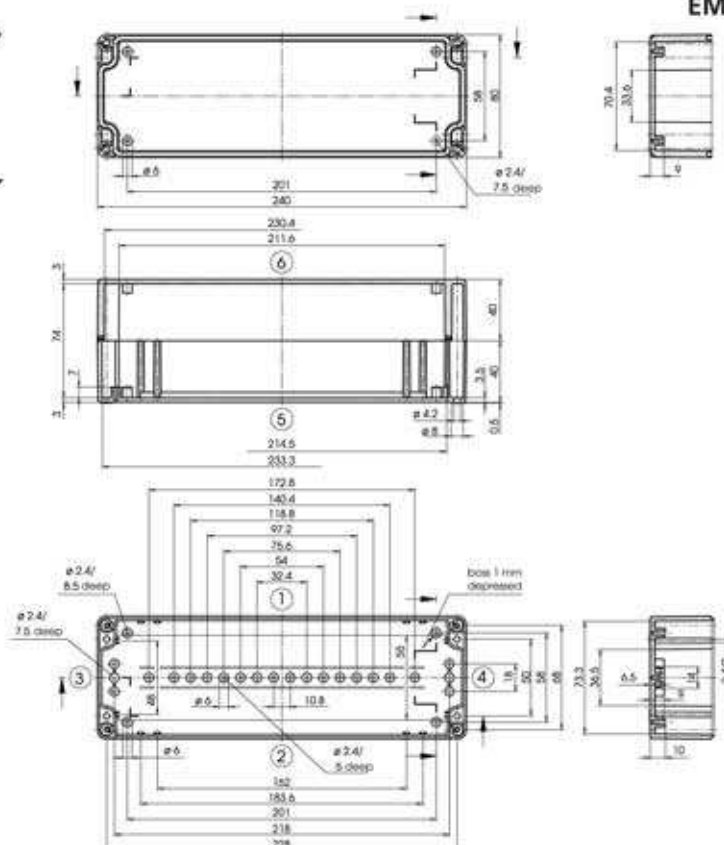
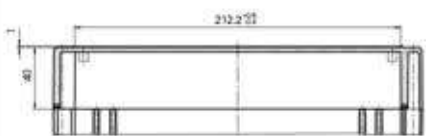
2-2501708

**Order designation**

Model	Material	Order no.
EM 236 LP	PC	62236300

Model	Material	Order no.
EM 236 F-LP	PC	62236400

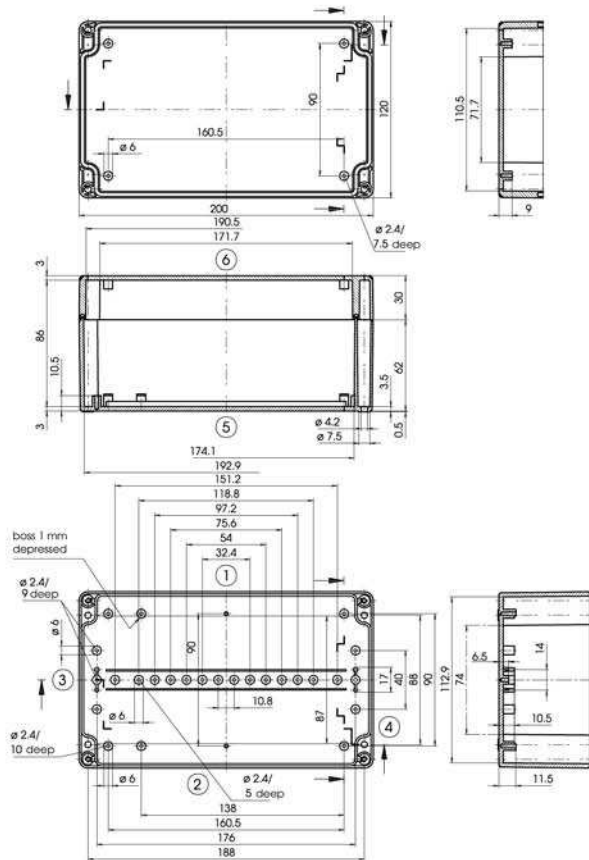
(F = with membrane keypad area, LP = with PCB plug-in slots)



**EM 236 (F) LP**

2-2501002

## EM 237 (F)

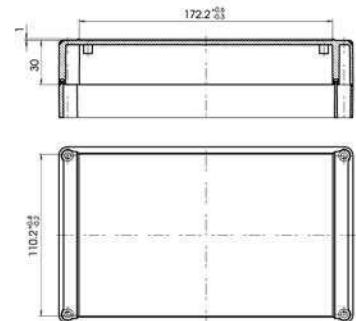


### Order designation

Model	Material	Order no.
EM 237	PC	62237000

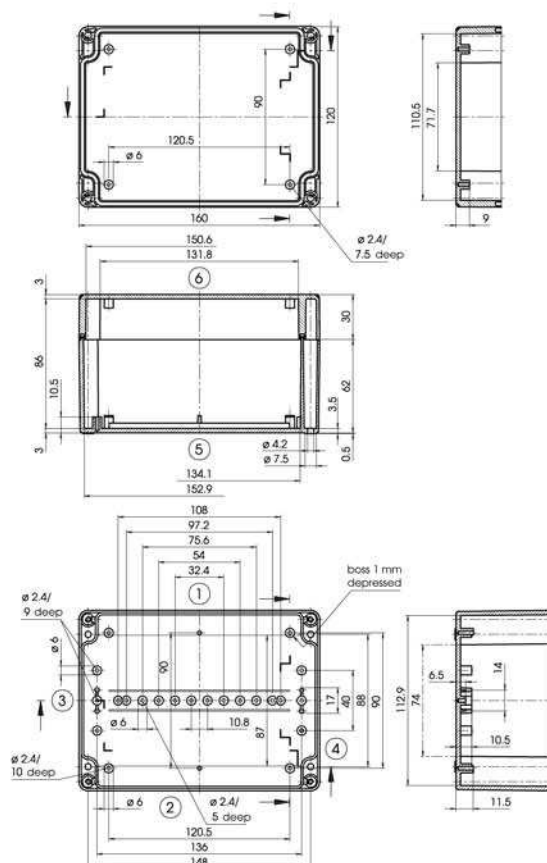
Model	Material	Order no.
EM 237 F	PC	62237200

(F = with membrane keypad area)



Z-2501006

## EM 238 (F)

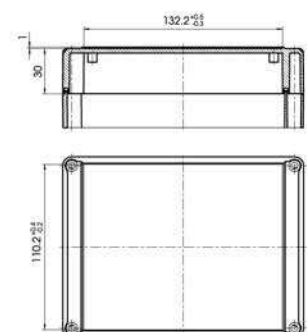


### Order designation

Model	Material	Order no.
EM 238	PC	62238000

Model	Material	Order no.
EM 238 F	PC	62238200

(F = with membrane keypad area)



Z-2501005



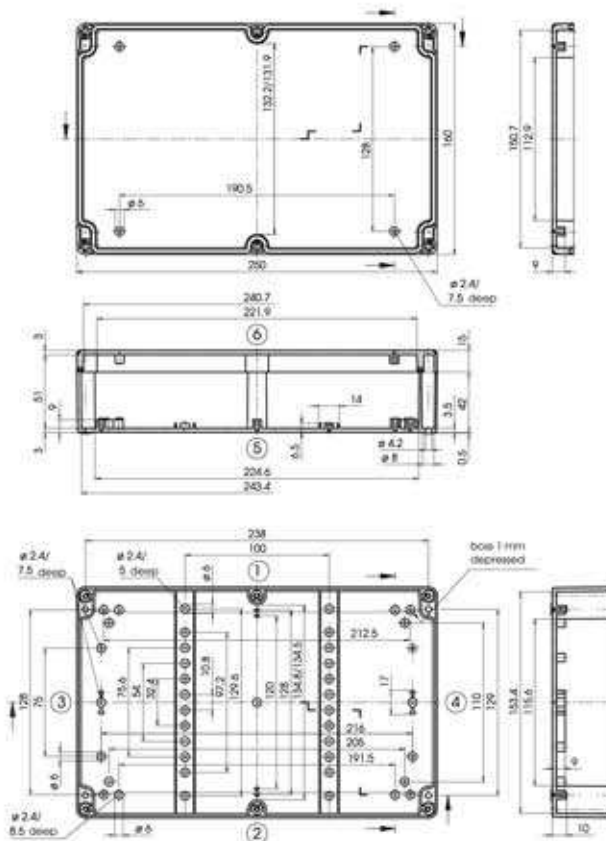
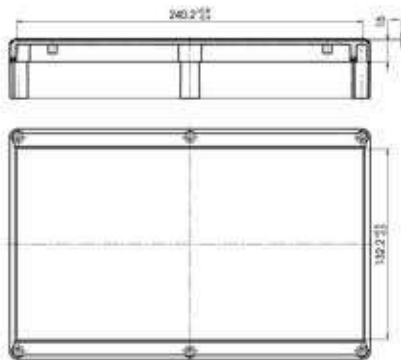
**Order designation**

Model	Material	Order no.
EM 239	PC	62239000

**EM 239 (F)**

Model	Material	Order no.
EM 239 F	PC	62239200

(F = with membrane keypad area)



2-2501037

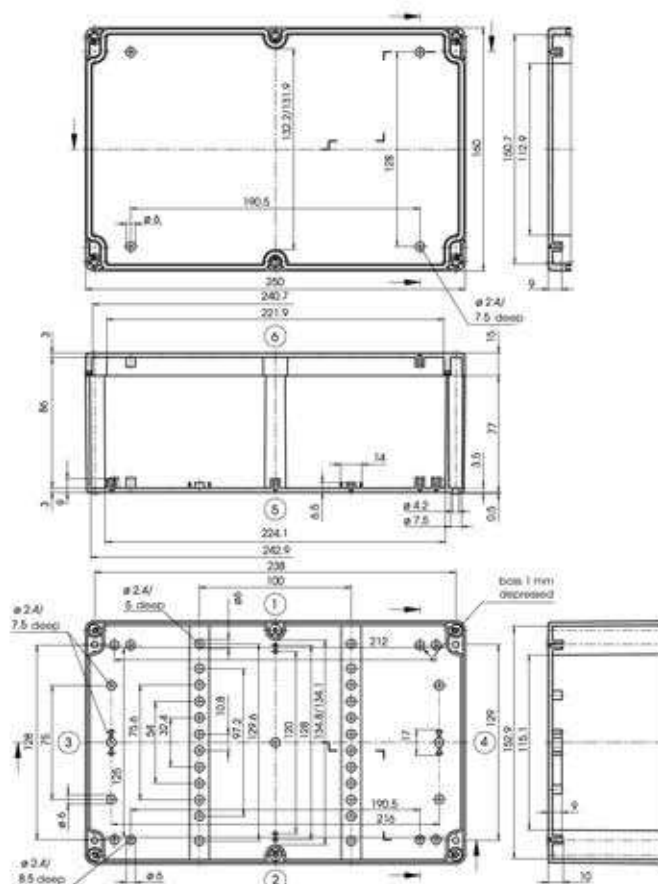
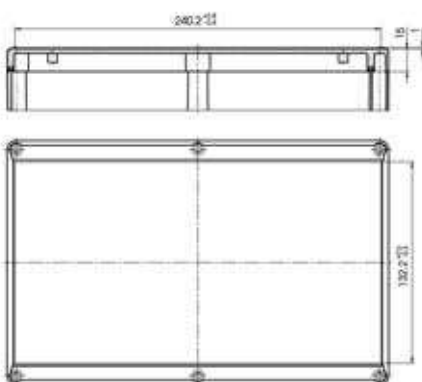
**Order designation**

Model	Material	Order no.
EM 240	PC	62240000

**EM 240 (F)**

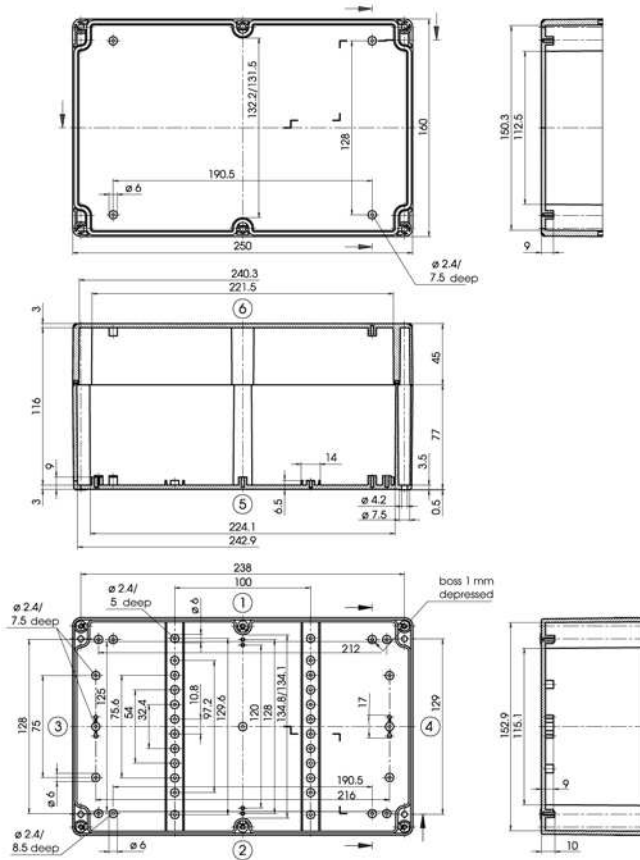
Model	Material	Order no.
EM 240 F	PC	62240200

(F = with membrane keypad area)



2-2501003

## EM 241 (F)

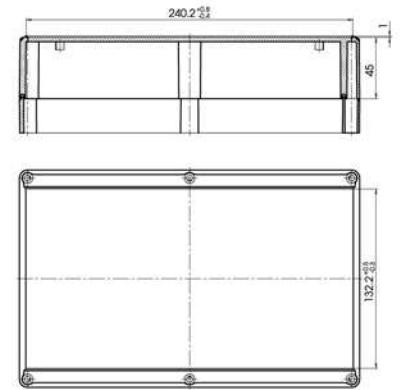


### Order designation

Model	Material	Order no.
EM 241	PC	62241000

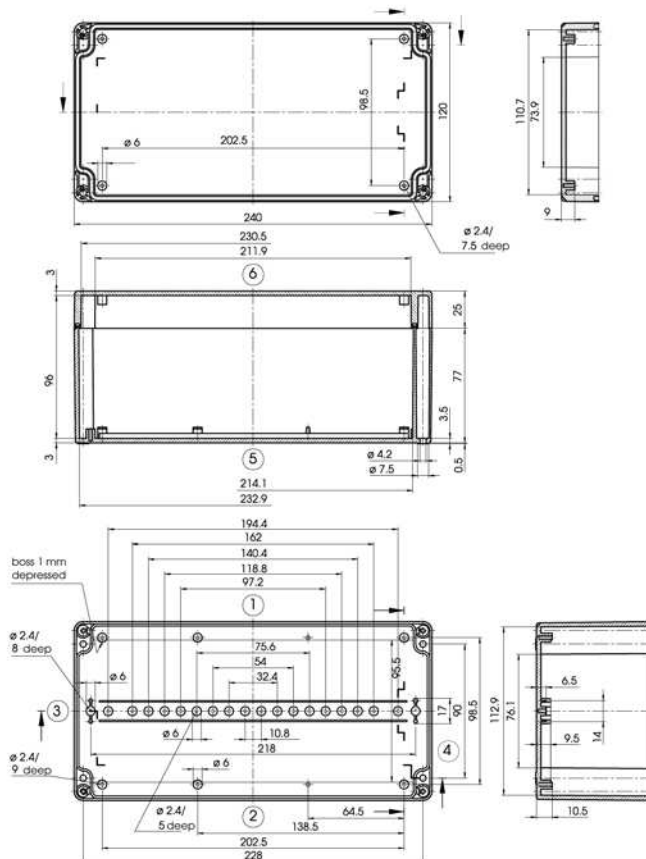
Model	Material	Order no.
EM 241 F	PC	62241200

(F = with membrane keypad area)



Z-2501004

## EM 242 (F)

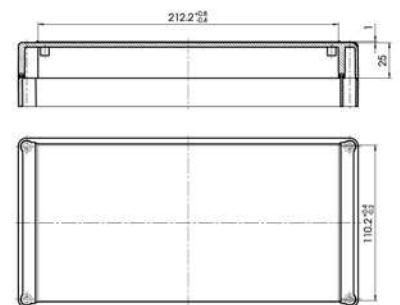


### Order designation

Model	Material	Order no.
EM 242	PC	62242000

Model	Material	Order no.
EM 242 F	PC	62242200

(F = with membrane keypad area)



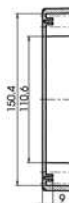
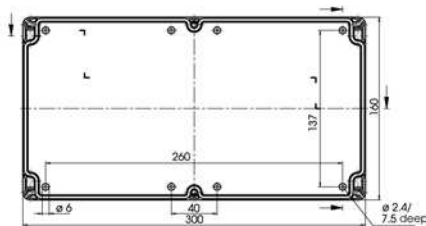
Z-2501139

**Order designation**

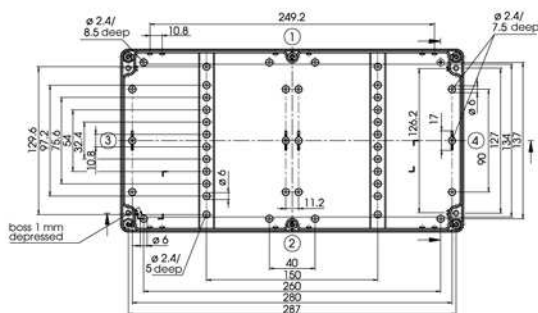
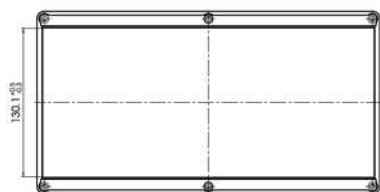
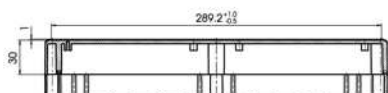
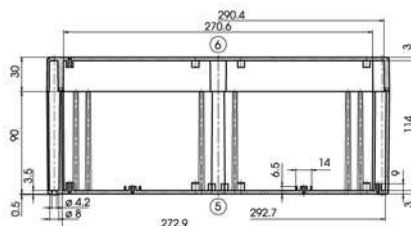
Model	Material	Order no.
EM 247 LP	PC	62247300

Model	Material	Order no.
EM 247 F-LP	PC	62247400

(F = with membrane keypad area,  
LP = with PCB slots)



EM 247 (F) LP



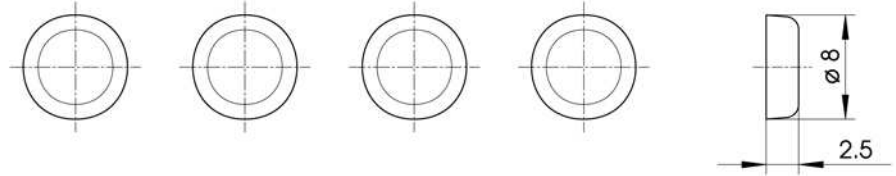
Z-2500991



### Self-adhesive rubber feet

Model	Order no.
EM-GF	22009000

Scope of delivery: 1 set = 4 pcs



Z-2501779



### Screw covers

Model	Order no.	Material
EM-SA	22080000	PC

Scope of delivery: 1 set = 6 pcs

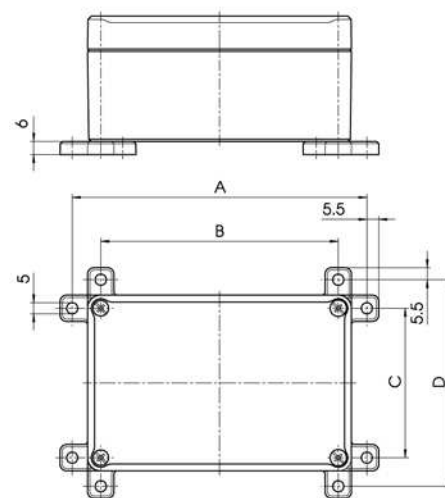
### Wall brackets

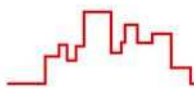
Model	Order no.	Material
EM-WL	22010000	PC

Scope of delivery: 1 set = 4 pcs

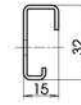
#### Fitting dimensions

Model	A	B	C	D
EM210	96	70	68	94
EM212	114	88	88	114
EM213	136	110	108	134
EM214	214	188	108	134
EM215	134	108	68	94
EM217	136	110	108	134
EM218	164	138	138	164
EM220	174	148	68	94
EM221	214	188	108	134
EM223	214	188	138	164
EM224	254	228	68	94
EM225	96	70	68	94
EM227	136	110	108	134
EM229	174	148	68	94
EM231	174	148	68	94
EM232	214	188	138	164
EM233	264	238	148	174
EM236	254	228	68	94
EM237	214	188	108	134
EM238	174	148	108	134
EM239	264	238	148	174
EM240	264	238	148	174
EM241	264	238	148	174
EM242	254	228	108	134
EM247	313	287	147	173





# EuroLite Accessories



**M:** Mounting plates,  
laminated paper (Pertinax)  
**TS 15:** Top hat rail DIN EN 60715 TH15  
**TS 32:** G-rail DIN EN 60715 G 32  
**TS 35:** Top hat rail DIN EN 60715 TH35

\* can also be fitted in lid

Model	M	TS 15	TS 32	TS 35
205	22000100	-	-	-
206	22000200	22150501	-	-
207	22207001*	22150701	-	-
208	-	22150701	22320701	22350701
210	22000300	22150701	22320701	22350701
212	22212000*	22150901	22320901	22350901
213	-	22151101	22321101	22351101
214	22214001*	22151901	22321901	22351901
215	22000400	22151101	22321101	22351101
217	22000500	22151101	22321101	22351101
218	22218001*	22151401	22321401	22351401
220	22000600	22151501	22321501	22351501
221	22000700	22151901	22321901	22351901
223	22000800	22151901	22321901	22351901
224	22224001*	22152301	22322301	22352301
225	22000300	22150701	22320701	22350701
227	22000500	22151101	22321101	22351101
229	-	22151501	22321501	22351501
231	22000600	22151501	22321501	22351501
232	-	22151901	22321901	22351901
233	-	22152301	22322301	22352301
236	22224001*	22152301	22322301	22352301
237	22000700	22151901	22321901	22351901
238	22001100	22151501	22321501	22351501
239	22000900	22152301	22322301	22352301
240	22000900	22152301	22322301	22352301
241	22000900	22152301	22322301	22352301
242	22001200	22152301	22322301	22352301
247	22247001*	22152901	22322901	22352901

For fitting screws for mounting plate and DIN-rail, please refer to page 642 ff.

**Maximum assignment  
with terminal blocks**

	Phoenix						Weidmüller				
	MBK 2.5	MBK 3	MBK 5	UK 3 N	UK 5 N	UK 10 N	AKZ 1.5	AKZ 2.5	AKZ 4	SAK 2.5	SAK 4
DIN-rail TS 15	X	X	X				X	X	X		
DIN-rail TS 32				X	X	X				X	X
DIN-rail TS 35				X	X	X					
Bridgeable		X	X	X	X	X	X	X	X	X	X
End angle-piece	2	2	2	2	2	2	2	2	2	2	2
Closing plate	–	1	1	1	1	1	1	1	1	1	1
Connection cross-section (mm <sup>2</sup> ) fine-strand	1.5	2.5	4	2.5	4	10	1.5	2.5	4	2.5	4
Connection cross-section (mm <sup>2</sup> ) single wire	2.5	4	4	4	6	16	2.5	4	6	4	10
Nominal voltage (V)	500	500	500	750	750	800	400	250	500	800	800
Rating (A)	26	32	34	34	34	76	17.5	24	32	24	32
Terminal width (mm)	5.2	5.2	6.2	5.2	6.2	10.2	5	5	6	6	6.5

Model	Number per DIN-rail						Number per DIN-rail				
EM205 (F)	1 x KL16/4 PA-DS terminal block						1 x KL16/4 PA-DS terminal block				
EM206 (F)	1 x KL16/8 PA-DS terminal block						1 x KL16/8 PA-DS terminal block				
EM207 LP	7	7	6				7	7	6		
EM208 (F)	7						7				
EM210 (F)	7	7	5				7	7	6		
EM212 (F)	11	11	9				11	11	9		
EM214 LP	30	30	24				30	30	24		
EM215 (F)	14	14	11				14	14	11		
EM217 (F)	15	15	12				15	15	12		
EM218 LP	20	20	16				20	20	16		
EM220 (F)	22	22	18				22	22	18		
EM221 (F) LP	30	30	24	29	23	15	30	30	25	24	23
EM223 (F)	30	30	24	29	23	15	30	30	25	24	23
EM224 LP	38	38	30				38	38	30		
EM225 (F)	7	7	5	6	5	3	7	7	6	6	4
EM227 (F)	15	15	12	14	11	7	15	15	12	12	11
EM231 (F)	22	22	18	21	18	11	22	22	18	18	17
EM236 LP	38	38	30	36	30	20	38	38	30	30	29
EM237 (F)	30	30	24	29	23	15	30	30	25	23	22
EM238 (F)	22	22	18	21	18	11	22	22	18	18	17
EM239 (F)	38	38	30				38	38	31		
EM240 (F)	38	38	30	36	30	20	38	38	31	30	30
EM241 (F)	38	38	30	36	30	20	38	38	31	30	30
EM242 (F)	38	38	30	36	30	20	38	38	31	30	30
EM247 LP	48	48	40	46	40	24	49	49	41	40	38