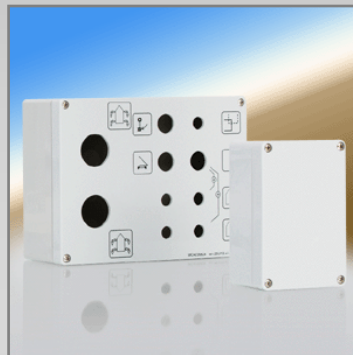


# Polycarbonate Watertight V0

## Industrial Enclosure System



For Finishing Services, Product Support, or to Order

Call 1-301-696-9800

# Polycarbonate Watertight V0

The enclosure line with IP 65 ingress protection, manufactured using high-quality polycarbonate UL 94 V0 material, offers optimal protection for your electronic components.

19 different enclosure sizes and a wide range of accessories permit the fitting of products from terminals (available as accessories) to high-value electronics.



**Enclosure material:** Polycarbonate  
UL 94 V0

**Color:** Light grey, similar  
to RAL 7035.  
Special colors on  
request.

**Scope of delivery:** Upper and lower  
section; lid screws  
made of V2A; self-  
tapping screws for  
mounting bosses.

**Ingress protection:** IP65/DIN EN 60529;  
increased protec-  
tion up to IP x7  
on request.

**Lid seal:** Sponge cord  
(neoprene) in lid  
groove.

**Accessories (additional charge):**

M: Mounting plate,  
laminated paper (Pertinax),  
RD: Set of knurled screws = 4 pcs  
F: Set of rubber feet = 4 pcs  
WL: Set of wall brackets = 4 pcs  
TS 15: Top hat rail DIN EN 60715 TH15  
TS 32: G-rail DIN EN 60715 G 32  
TS 35: Top hat rail DIN EN 60715 TH35  
SchM: Hinge for M/T

Lid with silicone seal on request.

**Notes:**

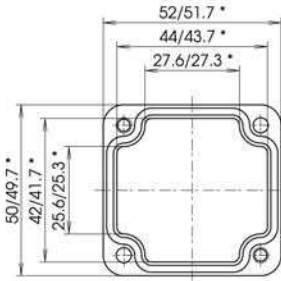
- We recommend fitting the mount-  
ing plate or the DIN-rails with the  
self-tapping screws (included with  
the enclosure).
- Threaded inserts are required for  
assembly with metric screws.

Polycarbonate V0 enclosures		External Dimensions		
Model	Part No.	L	W	H
V 205	02205094	52	50	35
V 206	02206094	65	50	35
V 208	02208094	98	64	36
V 210	02210094	82	80	55
V 215	02215094	120	80	55
V 217	02217094	122	120	55
V 220	02220094	160	80	55
V 221	02221094	200	120	75
V 223	02223094	200	150	75
V 225	02225094	82	80	85

Polycarbonate V0 enclosures		External Dimensions		
Model	Part No.	L	W	H
V 226	02226094	120	80	85
V 227	02227094	122	120	85
V 228	02228094	122	120	105
V 231	02231094	160	80	85
V 237	02237094	200	120	90
V 238	02238094	160	120	90
V 2401	02240294	240	160	90
V 242	02242094	240	120	100
V 255	02255094	360	200	150

# Polycarbonate Watertight V0

## V 205

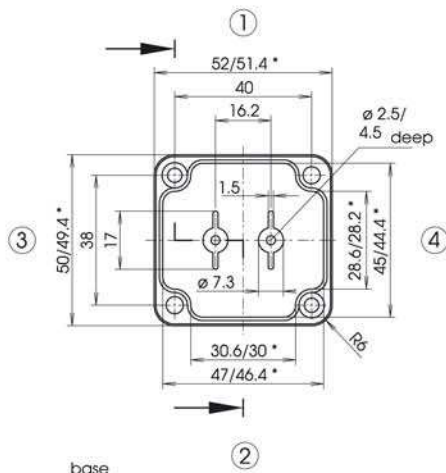


\*= Dimension reduced at bottom due to conical form.  
Tolerances to DIN 16901-130.

### Order designation

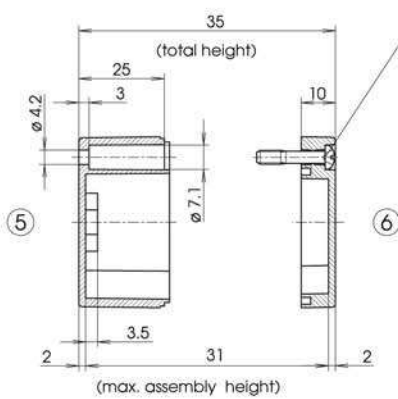
Polycarbonate enclosures	Order no.
V 205	02205094

lid



base  
Z-2501098

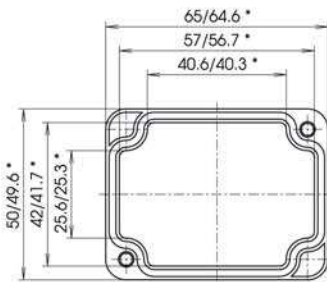
cylinder screw  
M4 x 20/7 similar to DIN ISO 7045



### Accessories (additional charge) Order no.

M: Mounting plate, 1.5 mm	22000100
TS 15: Top hat rail DIN EN 60715 TH15	22001800

## V 206

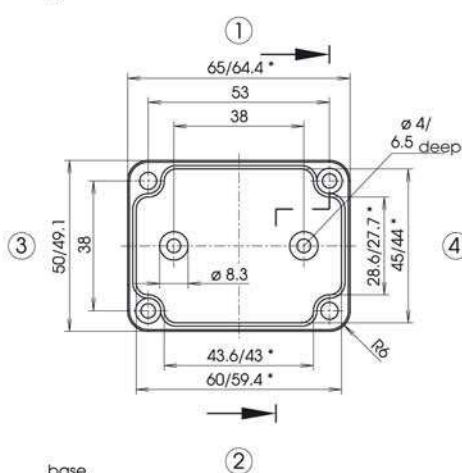


\*= Dimension reduced at bottom due to conical form.  
Tolerances to DIN 16901-130.

### Order designation

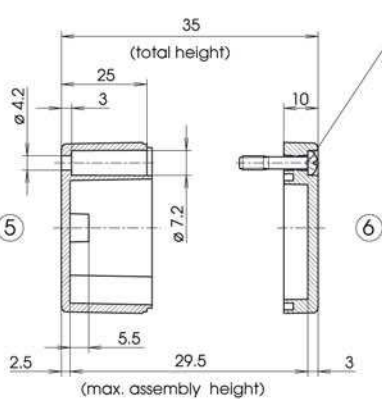
Polycarbonate enclosures	Order no.
V 206	02206094

lid



base  
Z-2501099

cylinder screw  
M4 x 20/7 similar to DIN ISO 7045



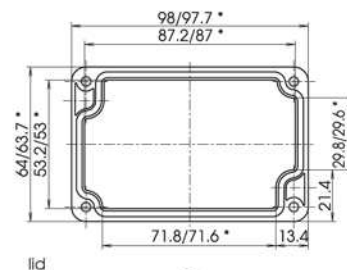
### Accessories (additional charge) Order no.

M: Mounting plate, 1.5 mm	22000200
TS 15: Top hat rail DIN EN 60715 TH15	22001710

**Order designation**

**Polycarbonate enclosure**    **Order no.**  
**V 208**                                **02208094**

**V 208**

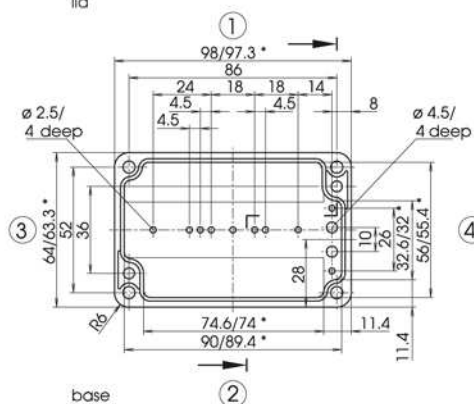


\*= Dimension reduced at bottom due to conical form.  
Tolerances to DIN 16901-130.

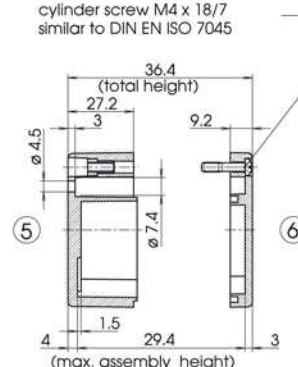
**Accessories (additional charge)**

**F:** Set of rubber feet = 4 pcs    **Order no.**  
**22003300**

**Order no.**  
**22003300**



cylinder screw M4 x 18/7  
similar to DIN EN ISO 7045

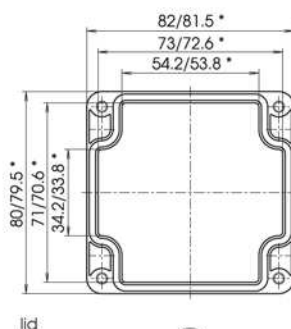


Z-2501100

**Order designation**

**Polycarbonate enclosures**    **Order no.**  
**V 210**                                **02210094**

**V 210**

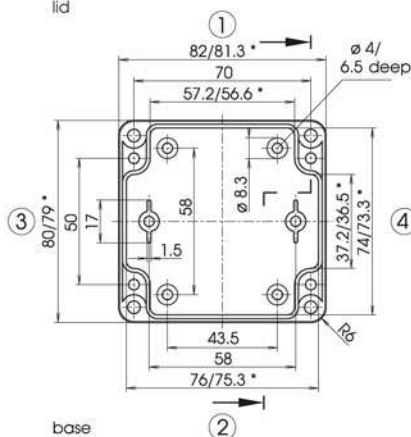


\*= Dimension reduced at bottom due to conical form.  
Tolerances to DIN 16901-130.

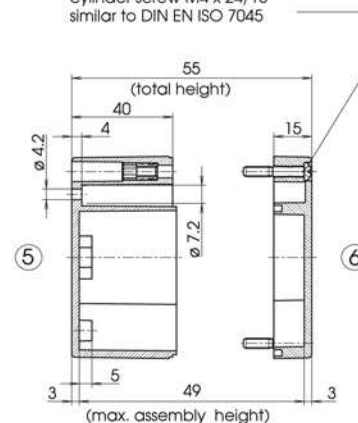
**Accessories (additional charge)**

**M:** Mounting plate, 1.5 mm    **Order no.**  
**22000300**  
**RD:** Set of knurled screws = 4 pcs    **22003100**  
**F:** Set of rubber feet = 4 pcs    **22003300**  
**WL:** Set of wall brackets = 4 pcs    **22004900**  
**TS 15:** Top hat rail DIN EN 60715 TH15    **22001700**  
**TS 32:** G-rail DIN EN 60715 G 32    **22001701**  
**TS 35:** Top hat rail DIN EN 60715 TH35    **22001702**

**Order no.**  
**22000300**  
**22003100**  
**22003300**  
**22004900**  
**22001700**  
**22001701**  
**22001702**



cylinder screw M4 x 24/10  
similar to DIN EN ISO 7045

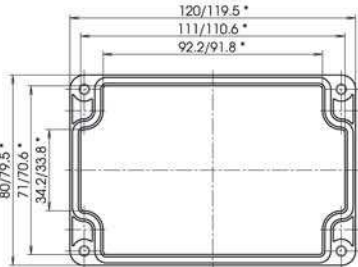


Z-2501101



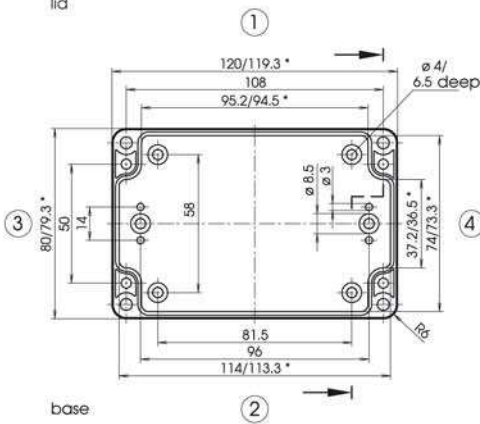
# Polycarbonate Watertight V0

V 215

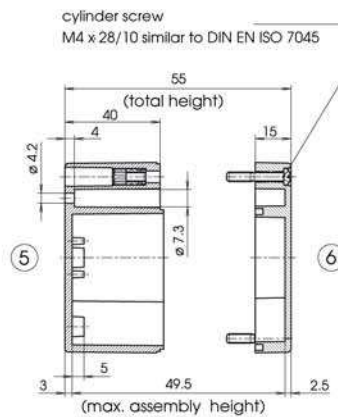


lid

\*= Dimension reduced at bottom due to conical form.  
Tolerances to DIN 16901-130.



base



(max. assembly height)

Due to a different shrinkage rate of the plastic material, ABS enclosures cc be about 0.1 - 0.25% bigger than the PC enclosures shown in the drawing.

**Order designation**

Polycarbonate enclosures	Order no.
V 215	02115094

**Accessories (additional charge)**

Accessories (additional charge)	Order no.
M: Mounting plate, 1.5 mm	22000400
RD: Set of knurled screws = 4 pcs	22003100
F: Set of rubber feet = 4 pcs	22003300
WL: Set of wall brackets = 4 pcs	22004900
TS 15: Top hat rail DIN EN 60715 TH15	22001900
TS 35: Top hat rail DIN EN 60715 TH35	22001910

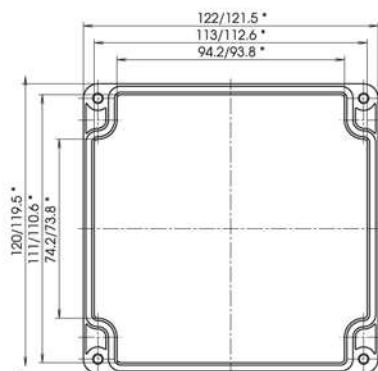
Z-2501102

**Order designation**

**Polycarbonate enclosures**     **Order no.**  
**V 217**     **02117094**

**V 217**

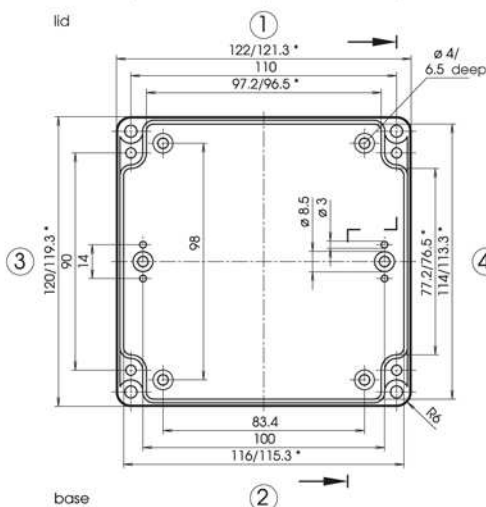
\*= Dimension reduced at bottom due to conical form.  
 Tolerances to DIN 16901-130.



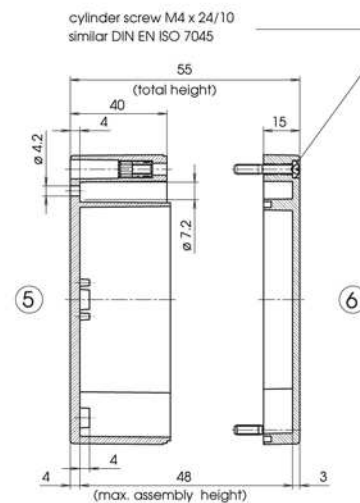
lid

**Accessories (additional charge)**

Accessories (additional charge)	Order no.
<b>M:</b> Mounting plate, 2.0 mm	<b>22000500</b>
<b>RD:</b> Set of knurled screws = 4 pcs	<b>22003100</b>
<b>F:</b> Set of rubber feet = 4 pcs	<b>22003300</b>
<b>WL:</b> Set of wall brackets = 4 pcs	<b>22004900</b>
<b>TS 15:</b> Top hat rail DIN EN 60715 TH15	<b>22001900</b>
<b>TS 35:</b> Top hat rail DIN EN 60715 TH35	<b>22001910</b>



base

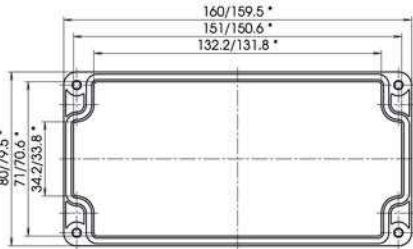


Z-2501104



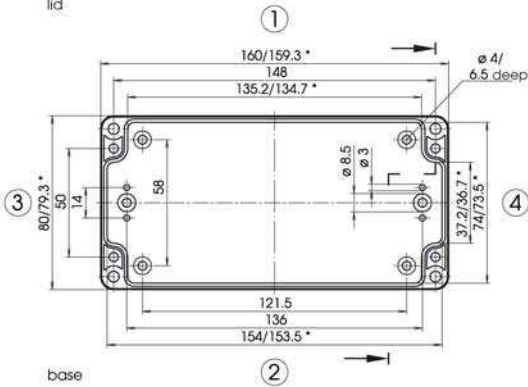
# Polycarbonate Watertight V0

## V 220

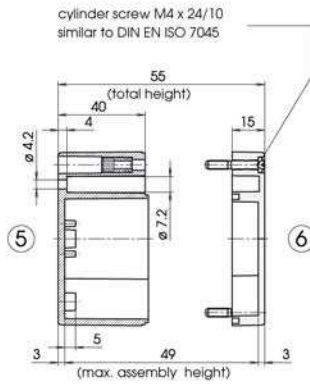


lid

\* = Dimension reduced at bottom due to conical form.  
Tolerances to DIN 16901-130.



base



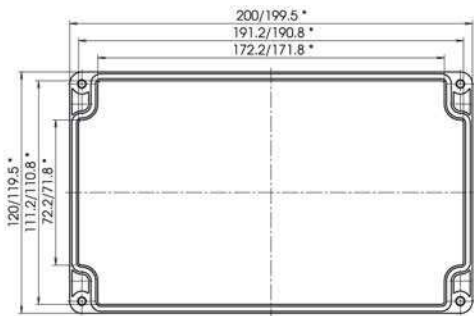
### Order designation

Polycarbonate enclosures	Order no.
V 220	02220094

### Accessories (additional charge) Order no.

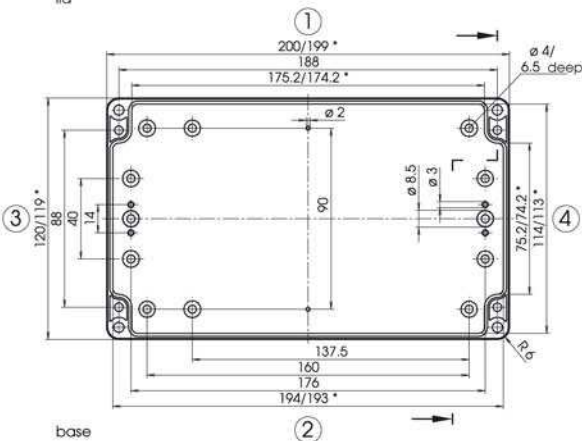
M: Mounting plate, 1.5 mm	22000600
RD: Set of knurled screws = 4 pcs	22003100
F: Set of rubber feet = 4 pcs	22003300
WL: Set of wall brackets = 4 pcs	22004900
TS 15: Top hat rail DIN EN 60715 TH15	22002000
TS 32: G-rail DIN EN 60715 G 32	22002010
TS 35: Top hat rail DIN EN 60715 TH35	22002020

## V 221

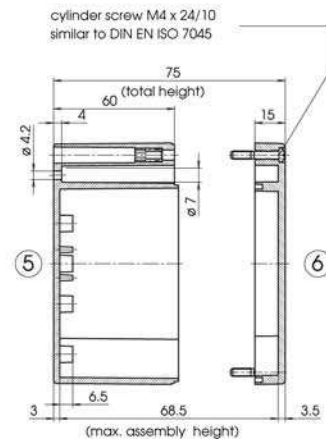


lid

\* = Dimension reduced at bottom due to conical form.  
Tolerances to DIN 16901-130.



base



### Order designation

Polycarbonate enclosures	Order no.
V 221	02221094

### Accessories (additional charge) Order no.

M: Mounting plate, 2.0 mm	22000700
RD: Set of knurled screws = 4 pcs	22003100
F: Set of rubber feet = 4 pcs	22003300
WL: Set of wall brackets = 4 pcs	22004900
TS 15: Top hat rail DIN EN 60715 TH15	22002100
TS 32: G-rail DIN EN 60715 G 32	22002130
TS 35: Top hat rail DIN EN 60715 TH35	22002120

Z-2501106

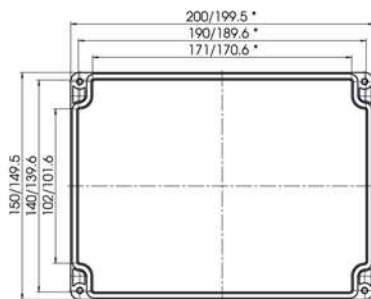
Z-2501107



**Order designation**

**Polycarbonate enclosures**    **Order no.**  
**V 223**                                    **02223094**

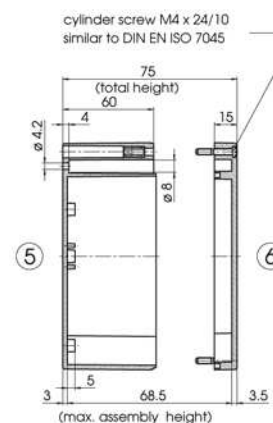
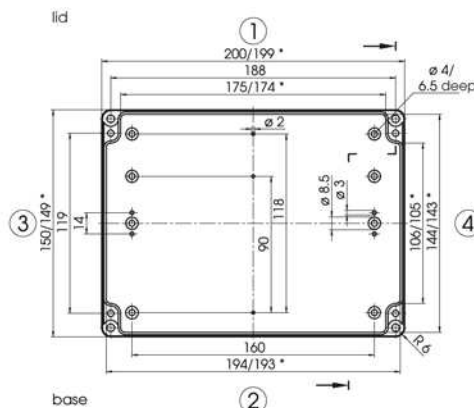
**V 223**



\*= Dimension reduced at bottom due to conical form.  
Tolerances to DIN 16901-130.

**Accessories (additional charge)**    **Order no.**

**M:** Mounting plate, 2.0 mm    **22000800**  
**RD:** Set of knurled screws = 4 pcs    **22003100**  
**F:** Set of rubber feet = 4 pcs    **22003300**  
**WL:** Set of wall brackets = 4 pcs    **22004900**  
**TS 15:** Top hat rail DIN EN 60715 TH15    **22002105**  
**TS 32:** G-rail DIN EN 60715 G 32    **22002110**  
**TS 35:** Top hat rail DIN EN 60715 TH35    **22002115**

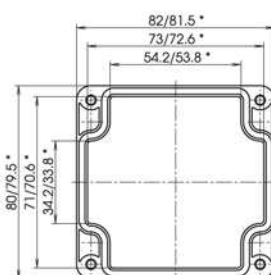


Z-2501108

**Order designation**

**Polycarbonate enclosures**    **Order no.**  
**V 225**                                    **02225094**

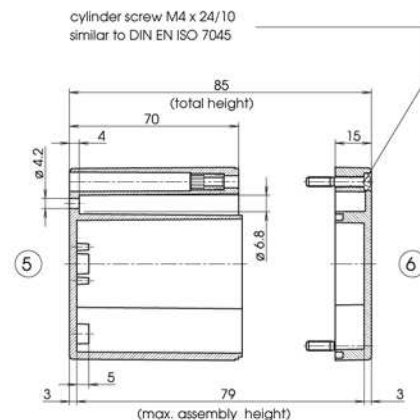
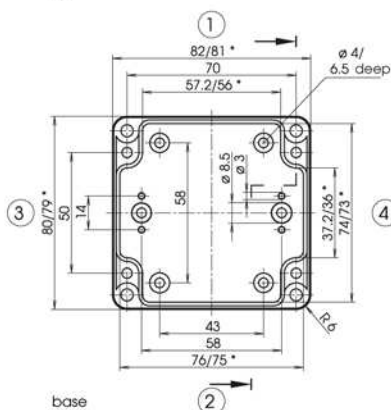
**V 225**



\*= Dimension reduced at bottom due to conical form.  
Tolerances to DIN 16901-130.

**Accessories (additional charge)**    **Order no.**

**M:** Mounting plate, 1.5 mm    **22000300**  
**RD:** Set of knurled screws = 4 pcs    **22003100**  
**F:** Set of rubber feet = 4 pcs    **22003300**  
**WL:** Set of wall brackets = 4 pcs    **22004900**  
**TS 15:** Top hat rail DIN EN 60715 TH15    **22001700**  
**TS 32:** G-rail DIN EN 60715 G 32    **22001701**  
**TS 35:** Top hat rail DIN EN 60715 TH35    **22001702**



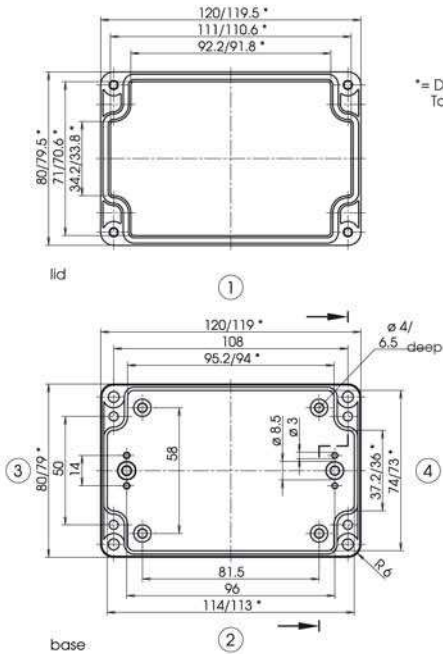
Z-2501109



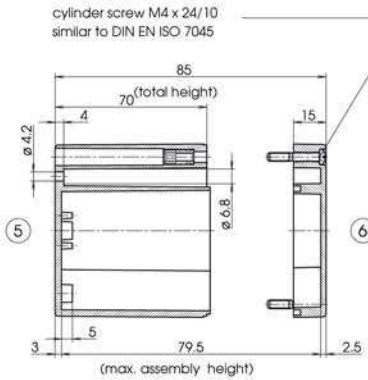
Welcome to BOPLA City!

# Polycarbonate Watertight V0

## V 226



\* = Dimension reduced at bottom due to conical form.  
Tolerances to DIN 16901-130.



Z-2501110

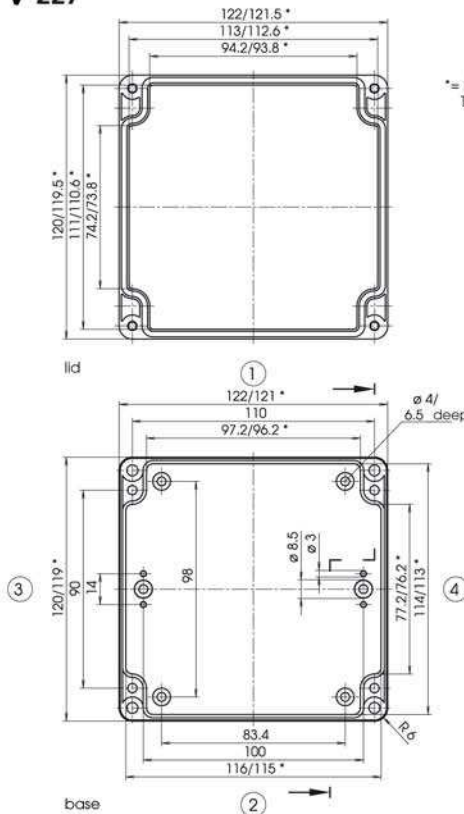
### Order designation

Polycarbonate enclosures	Order no.
V 226	02226094

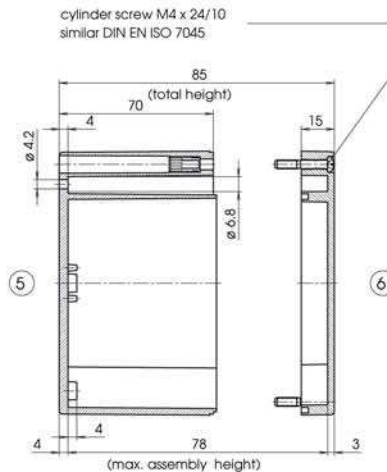
### Accessories (additional charge) Order no.

M: Mounting plate, 1.5 mm	22000400
RD: Set of knurled screws = 4 pcs	22003100
F: Set of rubber feet = 4 pcs	22003300
WL: Set of wall brackets = 4 pcs	22004900
TS 15: Top hat rail DIN EN 60715 TH15	22001900
TS 35: Top hat rail DIN EN 60715 TH35	22001910

## V 227



\* = Dimension reduced at bottom due to conical form.  
Tolerances to DIN 16901-130.



Z-2501111

### Order designation

Polycarbonate enclosures	Order no.
V 227	02227094

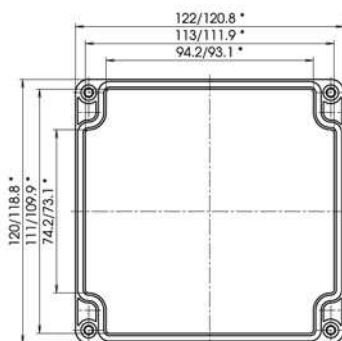
### Accessories (additional charge) Order no.

M: Mounting plate, 2.0 mm	22000500
RD: Set of knurled screws = 4 pcs	22003100
F: Set of rubber feet = 4 pcs	22003300
WL: Set of wall brackets = 4 pcs	22004900
TS 15: Top hat rail DIN EN 60715 TH15	22001900
TS 35: Top hat rail DIN EN 60715 TH35	22001910

**Order designation**

**Polycarbonate enclosures**    **Order no.**  
**V 228**                                    **02228094**

**V 228**

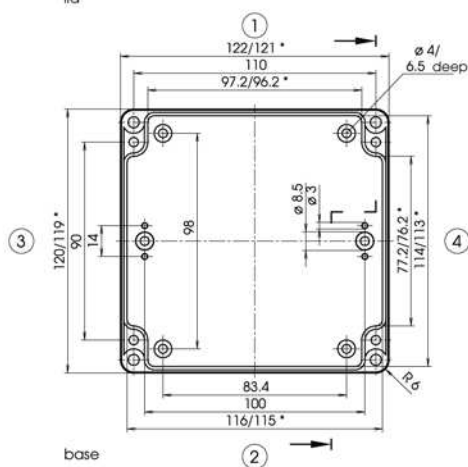


lid

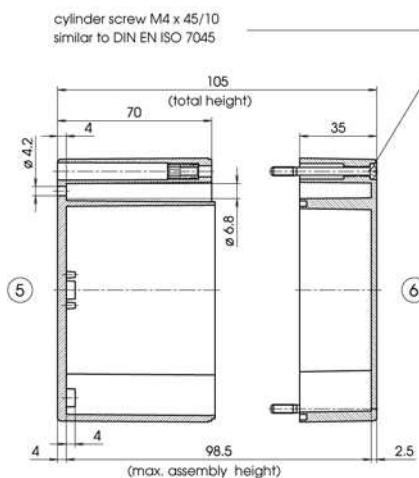
\*= Dimension reduced at bottom due to conical form.  
Tolerances to DIN 16901-130.

**Accessories (additional charge)**

Accessories (additional charge)	Order no.
<b>M:</b> Mounting plate, 2.0 mm	<b>22000500</b>
<b>F:</b> Set of rubber feet = 4 pcs	<b>22003300</b>
<b>WL:</b> Set of wall brackets = 4 pcs	<b>22004900</b>
<b>TS 15:</b> Top hat rail DIN EN 60715 TH15	<b>22001900</b>
<b>TS 35:</b> Top hat rail DIN EN 60715 TH35	<b>22001910</b>



base



Z-2501112



Welcome to BOPLA City!

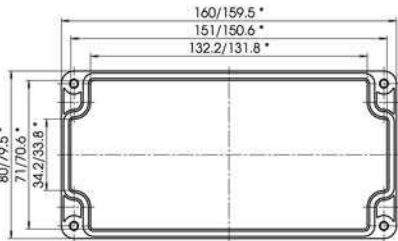
# Polycarbonate Watertight V0

V 231

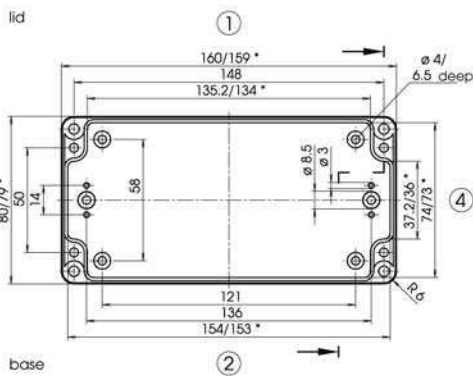
Order designation

Polycarbonate enclosures Order no.

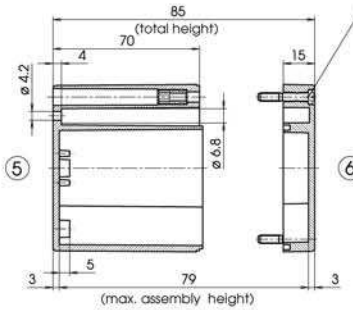
V 231 02231094



\*= Dimension reduced at bottom due to conical form.  
Tolerances to DIN 16901-130.



cylinder screw M4 x 24/10  
similar to DIN EN ISO 7045



Accessories (additional charge) Order no.

M: Mounting plate, 1.5 mm 22000600

RD: Set of knurled screws = 4 pcs 22003100

F: Set of rubber feet = 4 pcs 22003300

WL: Set of wall brackets = 4 pcs 22004900

TS 15: Top hat rail DIN EN 60715 TH15 22002000

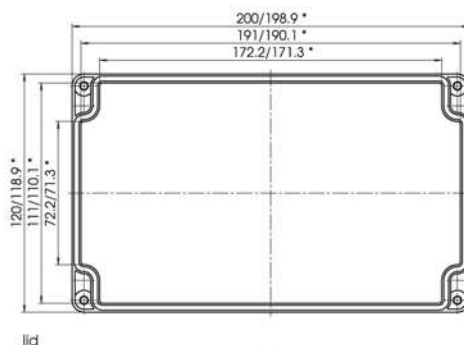
TS 32: G-rail DIN EN 60715 G 32 22002010

TS 35: Top hat rail DIN EN 60715 TH35 22002020

Z-2501114

**Order designation**

**Polycarbonate enclosures**    **Order no.**  
**V 237**                                    **02237094**

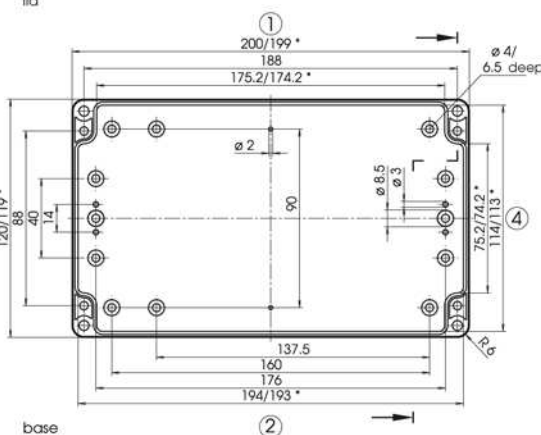


**V 237**

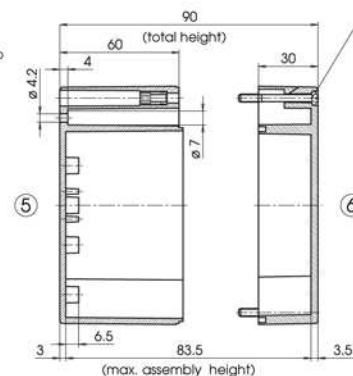
\*= Dimension reduced at bottom due to conical form.  
Tolerances to DIN 16901-130.

**Accessories (additional charge)**

Accessories (additional charge)	Order no.
M: Mounting plate, 2.0 mm	22000700
F: Set of rubber feet = 4 pcs	22003300
WL: Set of wall brackets = 4 pcs	22004900
TS 15: Top hat rail DIN EN 60715 TH15	22002100
TS 32: G-rail DIN EN 60715 G 32	22002130
TS 35: Top hat rail DIN EN 60715 TH35	22002120



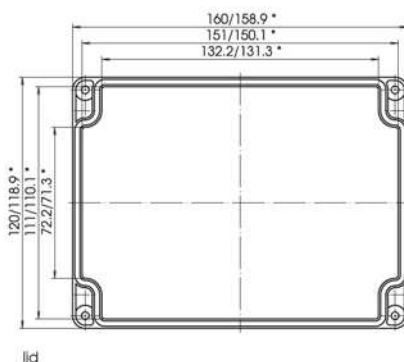
cylinder screw M4 x 37/10  
similar to DIN EN ISO 7045



Z-2501116

**Order designation**

**Polycarbonate enclosures**    **Order no.**  
**V 238**                                    **02238094**

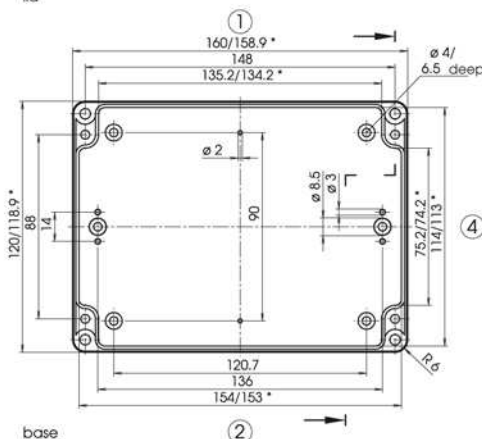


**V 238**

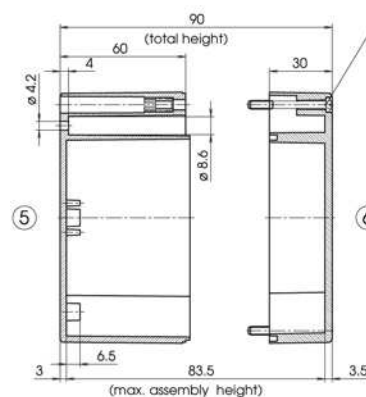
\*= Dimension reduced at bottom due to conical form.  
Tolerances to DIN 16901-130.

**Accessories (additional charge)**

Accessories (additional charge)	Order no.
M: Mounting plate, 2.0 mm	22001100
F: Set of rubber feet = 4 pcs	22003300
WL: Set of wall brackets = 4 pcs	22004900
TS 15: Top hat rail DIN EN 60715 TH15	22002000
TS 32: G-rail DIN EN 60715 G 32	22002010
TS 35: Top hat rail DIN EN 60715 TH35	22002020



cylinder screw M4 x 37/10  
similar to DIN EN ISO 7045



Z-2501117



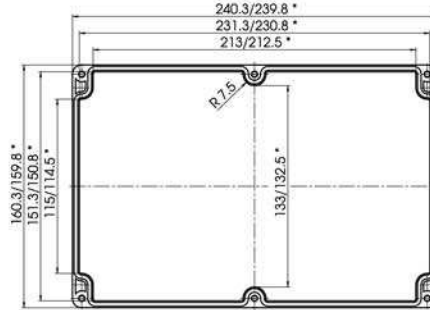
Welcome to BOPLA City!

# Polycarbonate Watertight V0

## Order designation

Polycarbonate enclosures	Order no.
V 2401	02240294

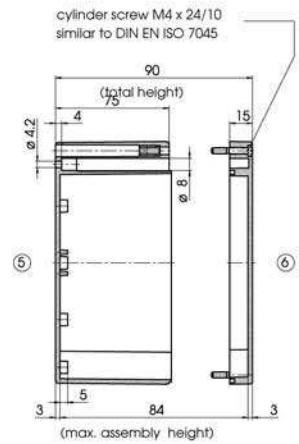
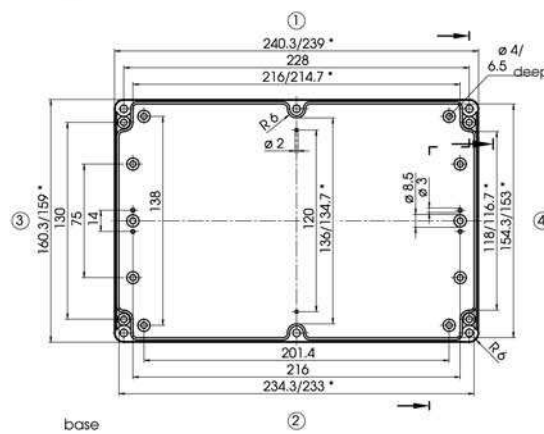
V 2401



\* = Dimension reduced at bottom due to conical form. Tolerances to DIN 16901-130.

## Accessories (additional charge)

M: Mounting plate, 2.5 mm	Order no.
RD: Set of knurled screws = 4 pcs	22003200
F: Set of rubber feet = 4 pcs	22003300
WL: Set of wall brackets = 4 pcs	22004900
TS 15: Top hat rail DIN EN 60715 TH15	22002402
TS 32: G-rail DIN EN 60715 G 32	22002400
TS 35: Top hat rail DIN EN 60715 TH35	22002401

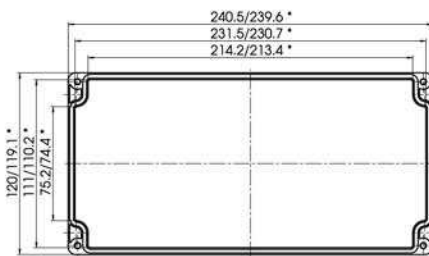


Z-2501119

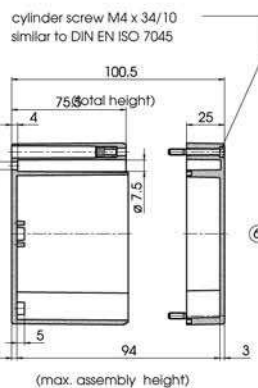
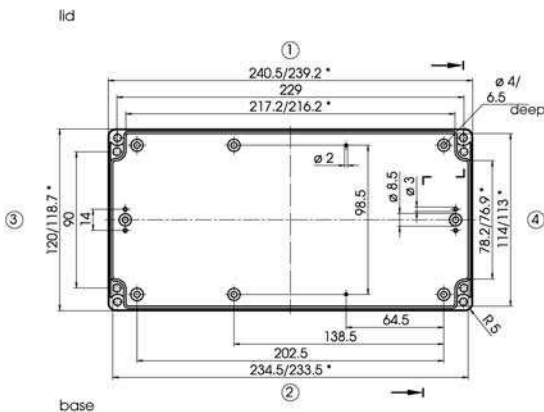
V 242

## Order designation

Polycarbonate enclosures	Order no.
v 242	02242094



\* = Dimension reduced at bottom due to conical form. Tolerances to DIN 16901-130.



## Accessories (additional charge)

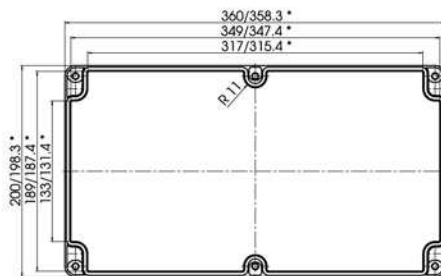
M: Mounting plate, 2.0 mm	Order no.
F: Set of rubber feet = 4 pcs	22003300
WL: Set of wall brackets = 4 pcs	22004900
TS 15: Top hat rail DIN EN 60715 TH15	22002402
TS 32: G-rail DIN EN 60715 G 32	22002400
TS 35: Top hat rail DIN EN 60715 TH35	22002401

Z-2501121

**Order designation**

**Polycarbonate enclosures**    **Order no.**  
**V 255**                                    **02255094**

**V 255**

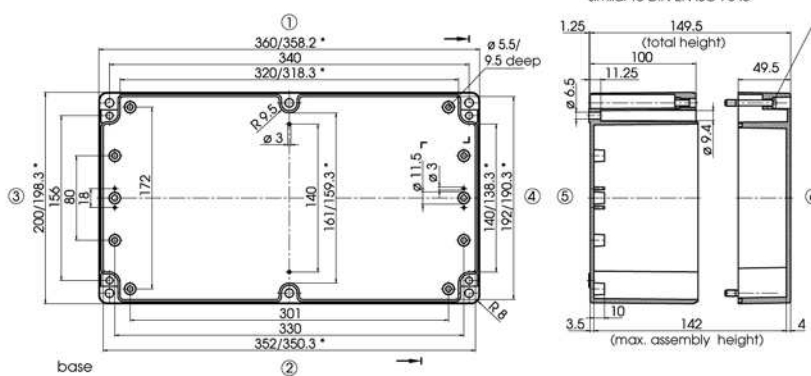


lid

\*= Dimension reduced at bottom due to conical form.  
Tolerances to DIN 16901-130.

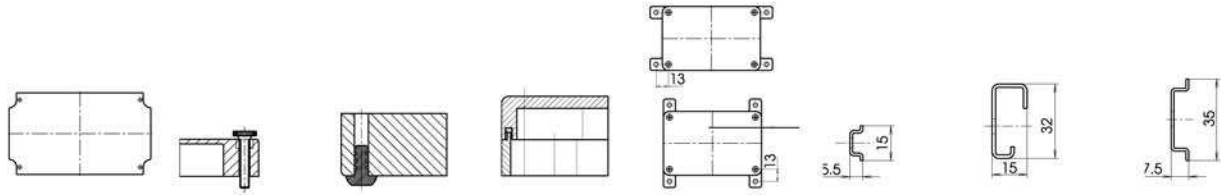
**Accessories (additional charge)**

**M:** Mounting plate, 2.5 mm            **22001600**  
**F:** Set of rubber feet = 4 pcs        **22003300**  
**TS 32:** G-rail DIN EN 60715 G 32    **22002950**  
**TS 35:** Top hat rail DIN EN 60715 TH35 **22002951**



base

Z-2501131



Model	M	RD	F	SIL	WL	TS 15	TS 32	TS 35
205	22000100	-	-	-	-	22001800	-	-
206	22000200	-	-	-	-	22001710	-	-
208	-	-	22003300	-	-	-	-	-
210	22000300	22003100	22003300	22003500	22004900	22001700	22001701	22001702
215	22000400	22003100	22003300	22003600	22004900	22001900	-	22001910
216	22000400	-	22003300	22003600	22004900	22001900	-	22001910
217	22000500	22003100	22003300	22003700	22004900	22001900	-	22001910
220	22000600	22003100	22003300	22003800	22004900	22002000	22002010	22002020
221	22000700	22003100	22003300	22003900	22004900	22002100	22002110	22002120
223	22000800	22003100	22003300	22005500	22004900	22002100	22002110	22002120
225	22000300	22003100	22003300	22003500	22004900	22001700	22001701	22001702
226	22000400	22003100	22003300	22003600	22004900	22001900	-	22001910
227	22000500	22003100	22003300	22003700	22004900	22001900	-	22001910
228	22000500	-	22003300	22003700	22004900	22001900	-	22001910
231	22000600	22003100	22003300	22003800	22004900	22002000	22002010	22002020
237	22000700	-	22003300	22003900	22004900	22002100	22002110	22002120
238	22001100	-	22003300	22004300	22004900	22002000	22002010	22002020
2401	22001000	22003200	22003300	22004200	22004900	22002402	22002400	22002401
242	22001200	-	22003300	22004400	22004900	22002402	22002400	22002401
255	22001600	-	22003300	22004800	-	-	22002950	22002951

**M:** Mounting plates, laminated paper (Pertinax), galvanised steel for model 260  
**RD:** Set of knurled screws = 4 pcs (cannot be used with SV)

**F:** Set of rubber feet = 4 pcs  
**SIL:** Lid with silicone seal  
**WL:** Set of wall brackets = 4 pcs

**TS 15:** Top hat rail DIN EN 60715 TH15  
**TS 32:** G-rail DIN EN 60715 G 32  
**TS 35:** Top hat rail DIN EN 60715 TH35

**Threaded inserts for mounting bosses**

Boss internal ø x depth	Threaded inserts	Order no.	PU
4 x 6.5	Dodge M 3 x 6.5	59002810	100 pcs
5.4 x 9.5	Dodge M 4 x 9.5	59002820	100 pcs

**Cabinet-version:**

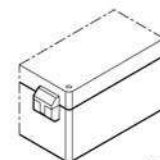
If you want your enclosure(s) fitted with hinges, please order separately:

Order designation	Order no.
SchM: Set of hinges polycarbonate	22006000

Additional charge for fitting.

**Assembly instructions:**

Put the insert into the boss until it touches the base. Then hammer down the stretcher plate using a pin.



Z-2001663