

# Mobile Control Units 2921

## Industrial Handheld Enclosure Series



For Finishing Services, Product Support, or to Order

Call 1-301-696-9800



- Polyamide hand enclosure for automation and control engineering
- Version with handle and integrated cable exit
- Large fitting space

### Technical data

**Material:**

polyamide

front plate: polystyrol

**Ingress protection:**

IP 65 to EN 60529

**Impact resistance:**

7 Joule to EN 60079-0

**Flammability:**

HB / UL 94

**Color:**

RAL 1003, yellow

**Temperature range:**

-40°C to +60°C

### Included in delivery

Enclosure with handle, including cable gland M 20 x 1.5, front panel, enclosure and front panel screws, and wall holder

# Pilot 110 - 150

## Program Range

Enclosure type	Order No.	Encl. dimensions incl. handle W x L x H (mm)	Front panel dimensions W x H (mm)	Mounting depth (mm)
Pilot 110	<b>29.21 10 00</b>	85 x 85 x 191	77 x 77	63,5
Pilot 120	<b>29.21 20 00</b>	115 x 85 x 191	107 x 77	63,5
Pilot 130	<b>29.21 30 00</b>	85 x 85 x 221	77 x 107	63,5
Pilot 140	<b>29.21 40 00</b>	160 x 85 x 211	152 x 97	63,5
Pilot 150	<b>29.21 50 00</b>	105 x 85 x 266	97 x 152	63,5

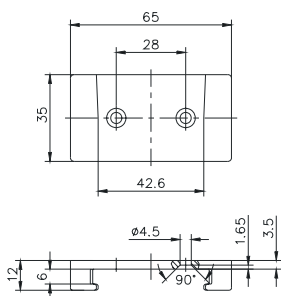
## Accessories

Magnetic holder (for Pilot 120 - 150)	<b>29.00 00 80</b>
Push button and switches see page 53 - 58	on request



### Electromechanical components

On request, we can supply equipment fitted with electro-mechanical components such as emergency stop button, acknowledge keys, hand wheel, switches, display



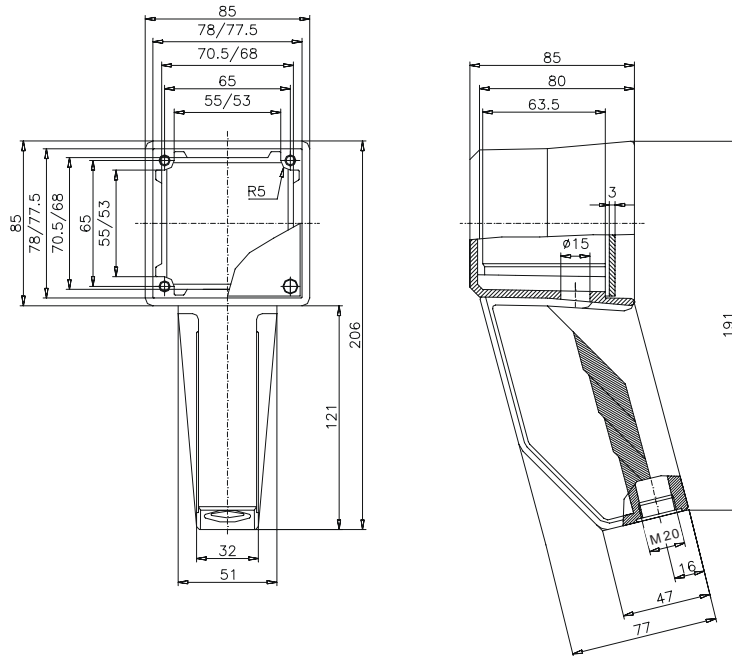
### Wall holder

included in delivery

Dimensions

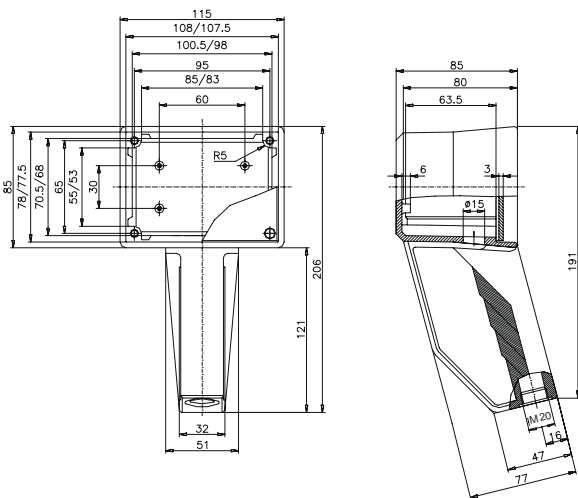


Type	Order No.	Weight (kg)
Pilot 110	<b>29.21 10 00</b>	0.500

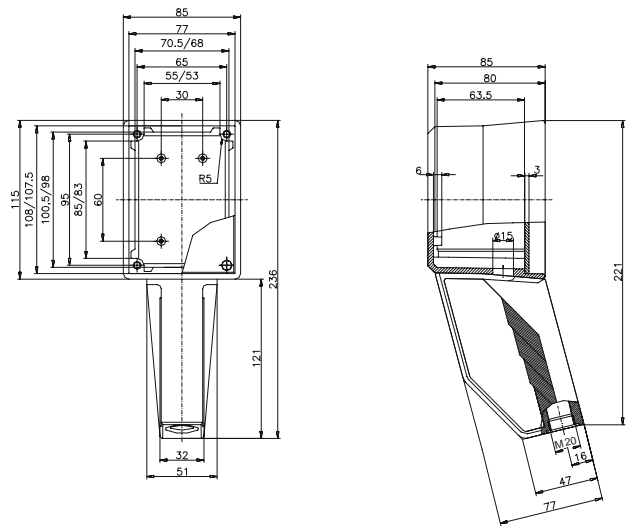


Type	Order No.	Weight (kg)
Pilot 120	<b>29.21 20 00</b>	0.500
Pilot 130	<b>29.21 30 00</b>	0.500

Pilot 120



Pilot 130



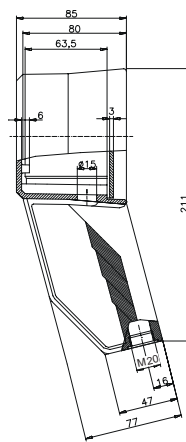
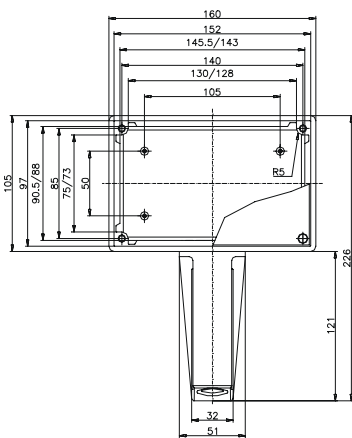
# Pilot 110 - 150

## Dimensions

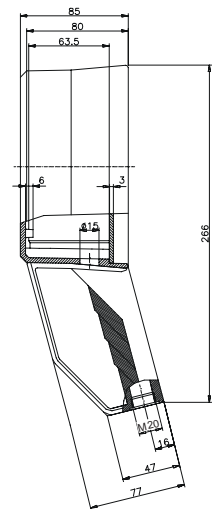
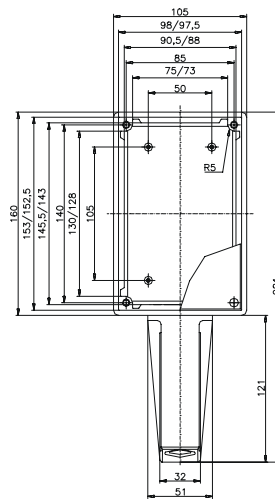


Type	Order No.	Weight (kg)
Pilot 140	<b>29.21 40 00</b>	0.780
Pilot 150	<b>29.21 50 00</b>	0.780

**Pilot 140**



**Pilot 150**



## Accessories



**Magneticholder**  
for Pilot 120 - 150, self-adhesive  
dimensions: 90 x 30 x 7.5 mm

Order No. **29. 00 00 80**