

# BG Handheld

## Industrial Handheld Enclosure Series



For Finishing Services, Product Support, or to Order

Call 1-301-696-9800



- Polyamide hand held enclosure for MCR- and automation engineering
- Ergonomic enclosure shape
- Version with or without display opening
- Prepared for acceptance of keypads/silicone switch mats
- Optional EMC version with internal coating and EMC seal

#### Included in delivery

Double-skinned enclosure with top and base unit, each with fixing domes, fastening and enclosure screws.  
Open version incl. display screen and punched seal.

#### Technical data

**Material:**

polyamide

**Ingress protection:**

IP 65 to EN 60529

**Surface resistance:**

$10^{12}$  Ohm, IEC 60093

**Flammability:**

V2 / UL 94

**Colour:**

RAL 7021, black grey

**Temperature range:**

-40°C to +60°C

# BG 180/220

## Programme range

Enclosure type	Order No.	Version	Dimensions W x L x H (mm)	Weight (kg)
BG 180 O	<b>27.02 02 00</b>	open	106/75 x 187 x 50	0.16
BG 180 G	<b>27.02 02 01</b>	closed	106/75 x 187 x 50	0.17
BG 220 O	<b>27.02 04 00</b>	open	116/85 x 220 x 51	0.20
BG 220 G	<b>27.02 04 01</b>	closed	116/85 x 220 x 51	0.21

## Accessories

Hook set without magnet	<b>27.02 00 80</b>
Hook set with magnet	<b>27.02 00 81</b>
Keypad FT 180b, 15 keys, Matrix printed (B 180)	<b>82.10 00 03</b>
Keypad FT 180ge, 12 keys, common connection with insert (B 180)	<b>82.10 00 07</b>
Keypad FT 180e, 15 keys, Matrix with insert (B 180)	<b>82.10 00 04</b>
Keypad FT 220b, 18 keys, Matrix printed (B 220)	<b>82.10 00 05</b>
Keypad FT 220e, 18 keys, Matrix with insert (B 220)	<b>82.10 00 06</b>
Connector (B 180)	<b>82.20 00 08</b>
Connector (B 220)	<b>82.20 00 09</b>
Display fixing set (B 180)	<b>27.01 06 80</b>
Display fixing set (B 220)	<b>27.02 04 82</b>
Cable gland with bending protection M 16 x 1,5	<b>08.10 01 16</b>
Cable gland with bending protection M 20 x 1,5	<b>08.10 01 20</b>
Hand strap	<b>27.02 00 83</b>
Spare screws	<b>27.02 00 82</b>
Spare display screen set (B 180)	<b>27.01 06 88</b>
Spare display screen set (B 220)	<b>27.02 04 83</b>
Battery compartment (B 180 / 220) without contacts	<b>27.02 00 85</b>
Battery holder for 4 round cells for battery compartment	<b>27.02 00 86</b>
Battery holder for 9 V battery for battery compartment	<b>27.02 00 87</b>
Wall fixing for hook set	<b>27.02 00 84</b>
Enabling switch 2-step, blue	<b>83.50 00 10</b>
Scratch resistant display screen	on request
Push-button and switches see page 53 - 58	on request



### Electromechanical components

On request, we offer the enclosures ready equipped with electromechanical components such as emergency stop button, confirm keys, hand wheel, step switch, display.

## Component mounting options

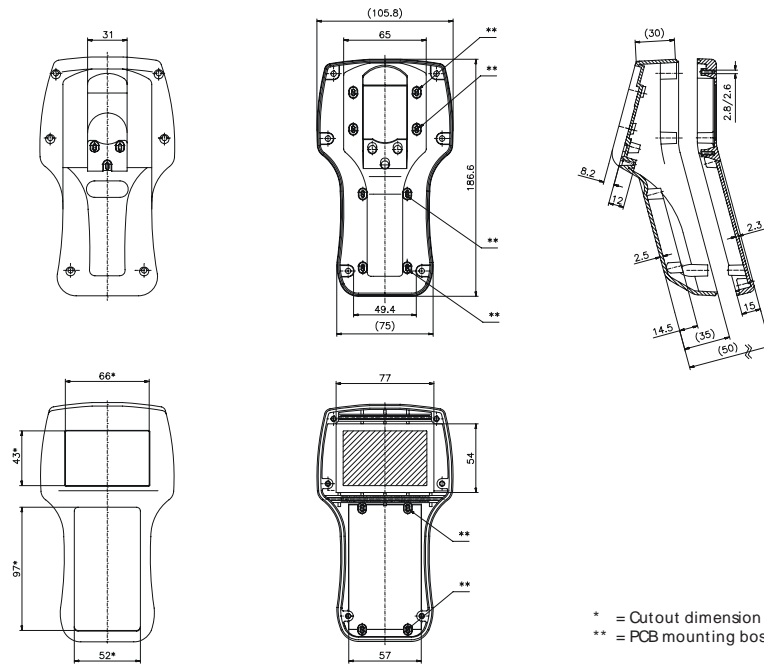
Component options	Type BG 180 O	Type BG 180 G	Type BG 220 O	Type BG 220 G
Display max. view area 42 x 65 mm max. mounting dimensions 56,4 x 74 mm or 54 x 80 mm	•			
Display max. view area 49 x 78 mm max. mounting dimensions 71,5 x 84 mm or 70,5 x 86 mm			•	
Emergency stop button	•	•	•	•
Confirm key	•	•	•	•
Hand wheel		•		•
Step switch		•		•
Joy stick	•		•	
Cable outlet up to M 16	•	•	•	•
Cable outlet up to M 20			•	•
1st board (main board)	•	•	•	•
Other boards	•	•	•	•

Dimensions



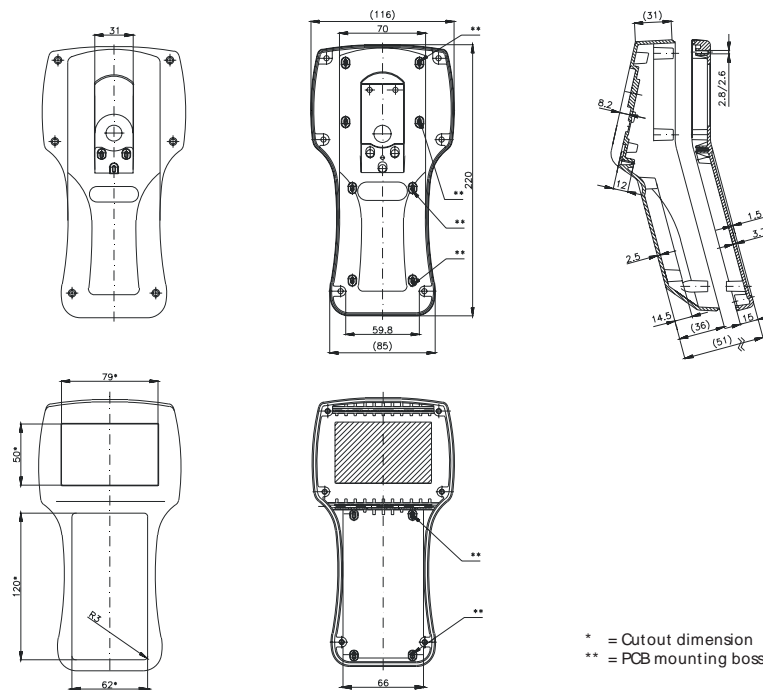
Type	Version	Order No.
BG 180 O	open	<b>27.02 02 00</b>
BG 180 G	closed	<b>27.00 02 01</b>

(max. PCB size of displays ca. 74 x 56.4 mm or 80 x 54 mm)



Type	Version	Order No.
BG 220 O	open	<b>27.02 04 00</b>
BG 220 G	closed	<b>27.02 04 01</b>

(max. PCB size of displays ca. 84 x 71.5 mm or 86 x 70.5 mm)



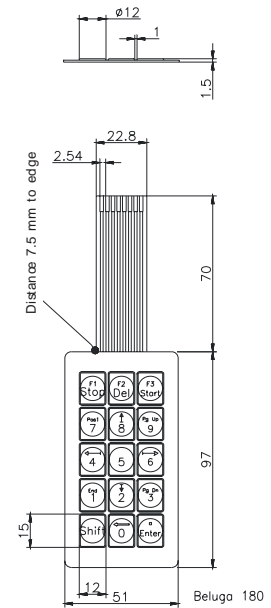
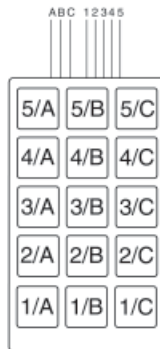
Accessories



**Membrane keypads for BG 180**

Standard membrane keypad with 15 keys as printed version or plain. Insertion facility for custom inscription

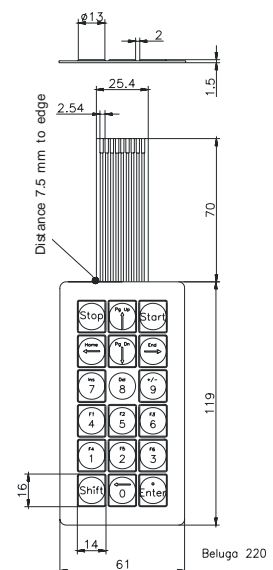
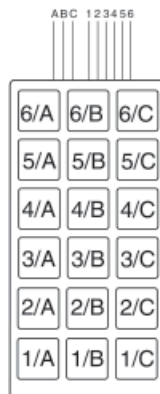
Type	Version	Order No.
FT B180 - 15 b	Matrix printed	<b>82.10 00 03</b>
FT B180 - 15 e	Matrix with plug-in-unit	<b>82.10 00 04</b>
	Connector	<b>82.20 00 08</b>



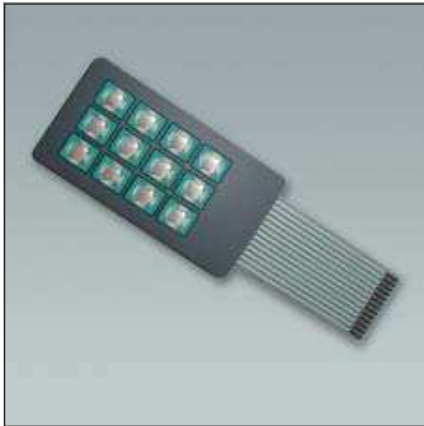
**Membrane keypads for BG 220**

Standard membrane keypad with 18 keys as printed version or plain. Insertion facility for custom inscription

Type	Version	Order No.
FT B220 - 18 b	Matrix printed	<b>82.10 00 05</b>
FT B220 - 18 e	Matrix with plug-in-unit	<b>82.10 00 06</b>
	Connector	<b>82.20 00 09</b>



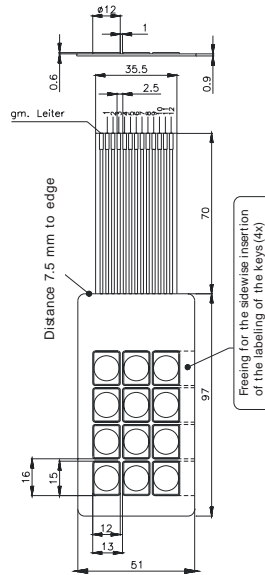
Accessories



**Membrane keypads for BG 180**

Standard membrane keypad with 12 keys as plain version. Insertion facility for custom inscription

Type	Version	Order No.
FT B180 - 12 ge	common connection with insert	<b>82.10 00 07</b>



**Hook set**  
consisting of mounted hook and fixing screws

Version	Order No.
without magnet	<b>27.02 00 80</b>
with magnet	<b>27.02 00 81</b>



**Display fixing set**  
for variable display mounting

Version for	Order No.
BG 180	<b>27.01 06 80</b>
BG 220	<b>27.02 04 82</b>



**Battery compartment B 180/220**  
without contacts

Order No. **27.02 00 85**

Adhesion by version with magnet

plate thickness	force
2 mm	20 N
5 mm	30 N

*Applications*







- Polyamide hand held enclosure for MCR- and automation engineering
- Ergonomic enclosure shape
- Version with or without display opening
- Prepared for acceptance of keypads/silicone switch mats
- Optional EMC version with internal coating and EMC seal

### Technical data

**Material:**

polyamide

**Ingress protection:**

IP 65 to EN 60529

**Surface resistance:**

$10^{12}$  Ohm, IEC 60093

**Flammability:**

V2 / UL 94

**Colour:**

RAL 7021, black grey

**Temperature range:**

-40°C to +60°C

#### Included in delivery

Double-skinned enclosure with top and base unit, each with fixing domes, mounting / hook set, fastening and enclosure screws.



# BG 380

## Programme range

Enclosure type	Order No.	Version	Dimension	Weight
			W x L x H (mm)	(kg)
BG 380	<b>27.02 05 01</b>	closed	380 x 117 x 68	0.52

## Accessories

Cable gland with bending protection M 16 x 1,5	<b>08.10 01 16</b>
Cable gland with bending protection M 20 x 1,5	<b>08.10 01 20</b>
Carrying strap	<b>27.02 05 80</b>
Hand strap	<b>27.02 05 81</b>
Wall holder	<b>27.02 05 82</b>
Spare screws	<b>27.02 05 83</b>
Push-button and switches see page 53 - 58	on request



### Wall fixing set

stainless steel angle bracket set, +/- 45° inclination slope adjustable by means of knurled screws.

Order No. **27.02 05 82**



### Electromechanical components

On request, we can supply equipment fitted with electro-mechanical components such as emergency stop button, acknowledge keys, hand wheel, switches, display

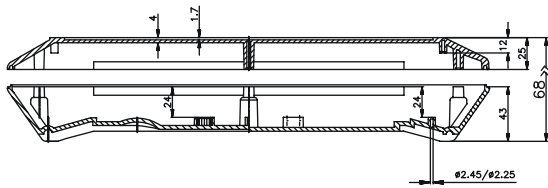
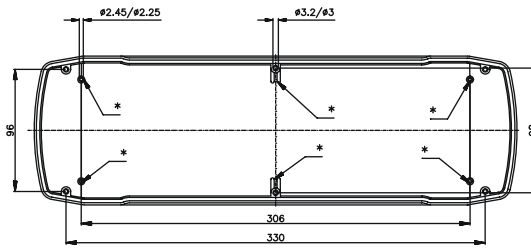
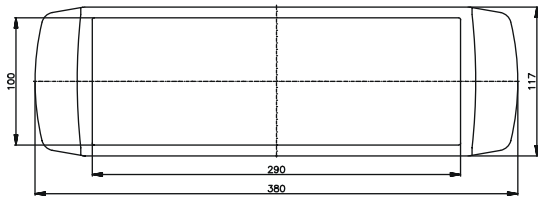
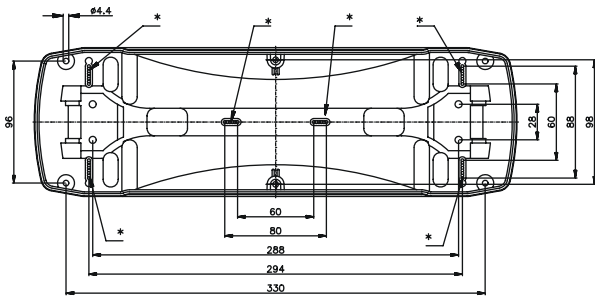
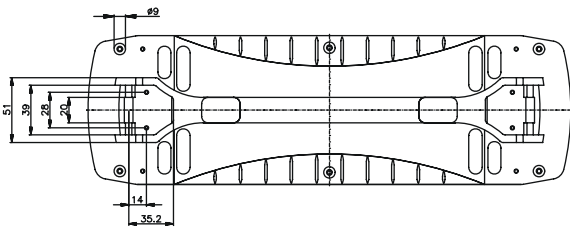
## Component mounting options

Component options	Type BG 380
Display (max. view area / max. mounting dimensions see drawing on page 53 - 58)	•
Emergency stop button	•
Confirm key	•
Enabling switch	•
Hand wheel	•
Step switch	•
Joy stick	•
Cable outlet up to M 20	•
1st board (main board)	•
Other boards	•

Dimensions



Order No. 27.02 05 01



\* = PCB mounting boss (screw 3 x 8)



Large display mounted (1/4 VGA)



Integrated hook set



Large mounting space for electronic devices



Hook set, can be used as a stand