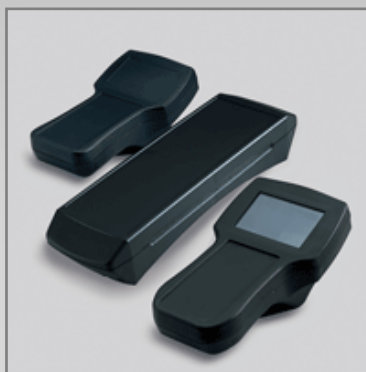


Ex Beluga Handheld Enclosure

Explosion-Protected Handheld Enclosure



For Finishing Services, Product Support, or to Order

Call 1-301-696-9800

Beluga Ex Handheld Enclosures

- Hand held enclosures as empty enclosures for Ex-applications
- 3 enclosure sizes
- Optional version with display openings

Technical Data

Approvals

ATEX

Explosion protection

Ⓜ II 2 G

Ⓜ Ex e II

Certificates

PTB 02 ATEX 1076U

Temperature range

-20°C to +60°C

Material

Polyamide 12

Colour

RAL 9005, jet black

Ingress protection

IP 65 to EN 60529

Impact resistance

7 Joule to EN 60079-0

Flammability

HB / UL 94

Surface resistance

<10⁹ Ohm to IEC 60093

Beluga Ex Handheld Enclosures

Product overview

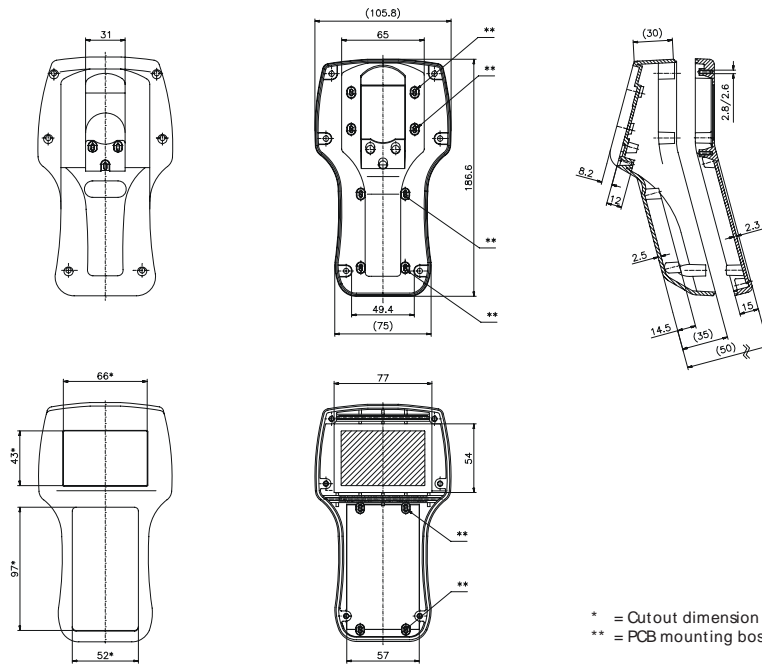
Description	Type	dimensions (H x W x D) mm
Beluga 180 O-Ex	28.02 02 00	106/75 x 187 x 50
Beluga 180 G-Ex	28.02 02 01	106/75 x 187 x 50
Beluga 220 O-Ex	28.02 04 00	116/85 x 220 x 51
Beluga 220 G-Ex	28.02 04 01	116/85 x 220 x 51
Beluga 380 G-Ex	28.02 05 01	380 x 117 x 68

Dimensions



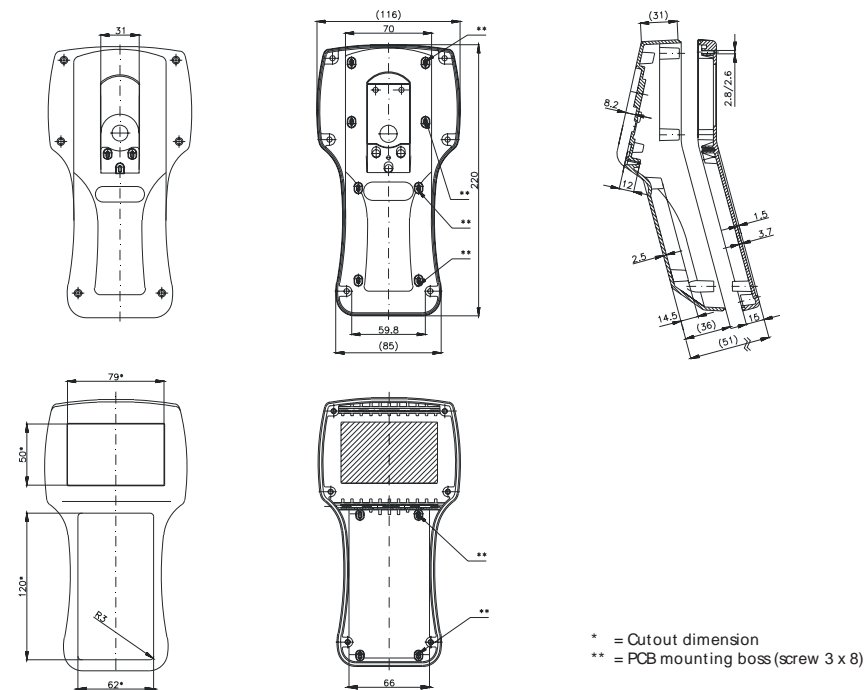
Type	Version	Order No.
Beluga 180 O	open	27.02 02 00
Beluga 180 G	closed	27.00 02 01

(max. PCB size of displays ca. 74 x 56.4 mm or 80 x 54 mm)



Type	Version	Order No.
Beluga 220 O	open	27.02 04 00
Beluga 220 G	closed	27.02 04 01

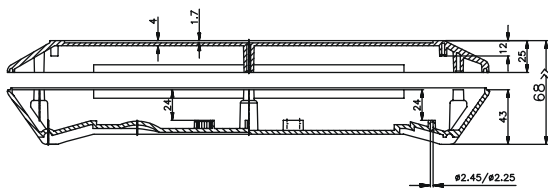
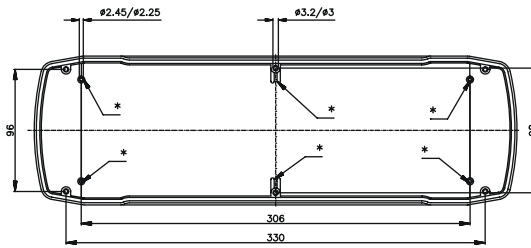
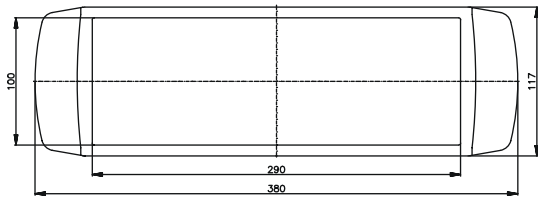
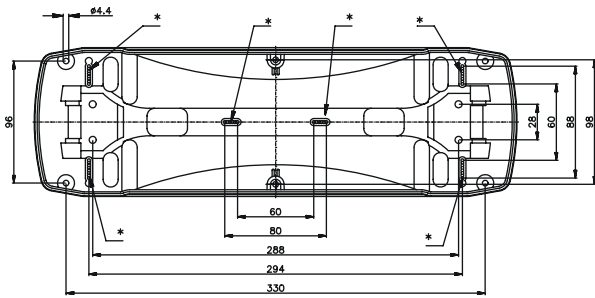
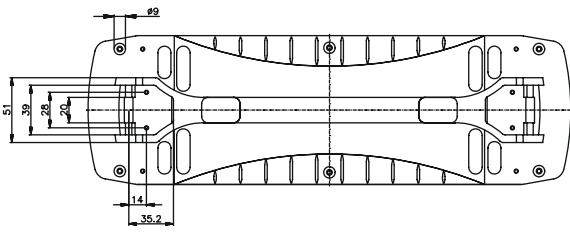
(max. PCB size of displays ca. 84 x 71.5 mm or 86 x 70.5 mm)



Dimensions



Order No. 28.02 05 01



* = PCB mounting boss (screw 3 x 8)