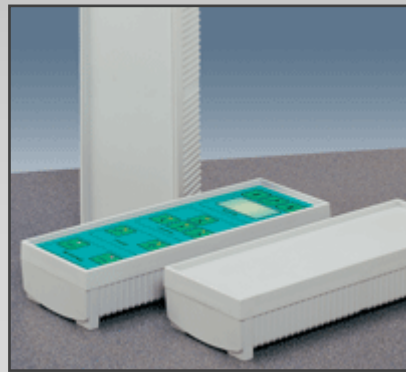


Tastomat

Rugged Handheld Enclosure System



For Finishing Services, Product Support, or to Order

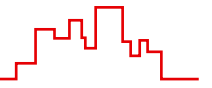
Call 1-301-696-9800

Tastomat



BOPLA developed this hand-held enclosure specifically for use under tough operating conditions. The IP 65 level of ingress protection and the material – glassbead-reinforced polyamide – provide optimal protection for your electronic components under even the most demanding circumstances.

The wraparound 5 mm high collar provides a high degree of protection for fitted operating elements against unintentional operation or destruction. Drill holes in the base can be used for suspension systems or for direct screwing to a panel. Tastomat is the ideal enclosure for use in the field of crane control or machine applications.



Enclosure material: Polyamide, 30% glassbead-reinforced. For technical data see pages 646-651.

Colour: Light grey, similar to RAL 7035; special colours and minimum order quantities on request.

Ingress protection: IP 65/DIN EN 60529

Note:
In case of prolonged heat (e.g. at 75°C for 3 hours) an aftershrinkage of up to 0.8% is possible. In a similar degree, absorption of humidity may affect dimensions.

Low version

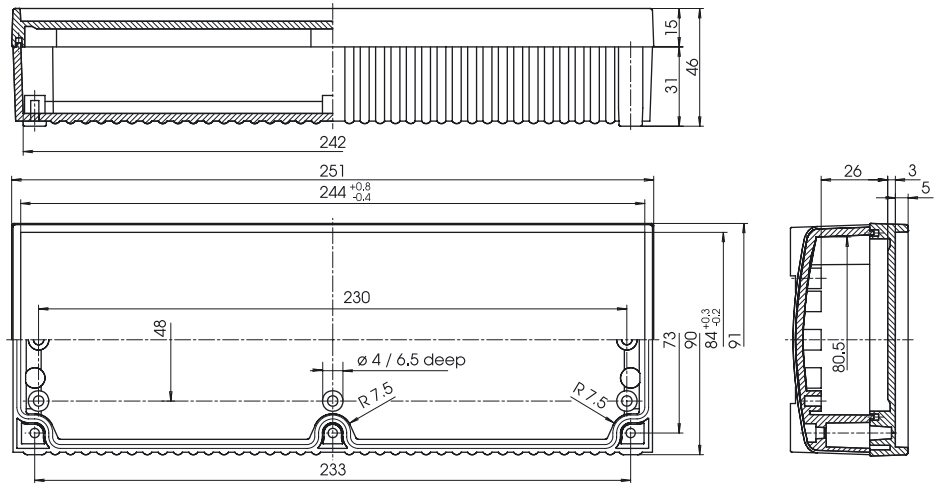
Order designation		External dim.		
Model	Order no.	L	W	H
TAS 100	08100000	251	91	46

Membrane area: L 244 x W 84 x D 5 mm

Scope of delivery:
Lid with seal

Base:
6 fixing screws M 4 x 28
– screwed from below –

4 self-tapping screws
SHR Z B 4.5 x 7.8
– for mounting plate –



Z-2500355

High version

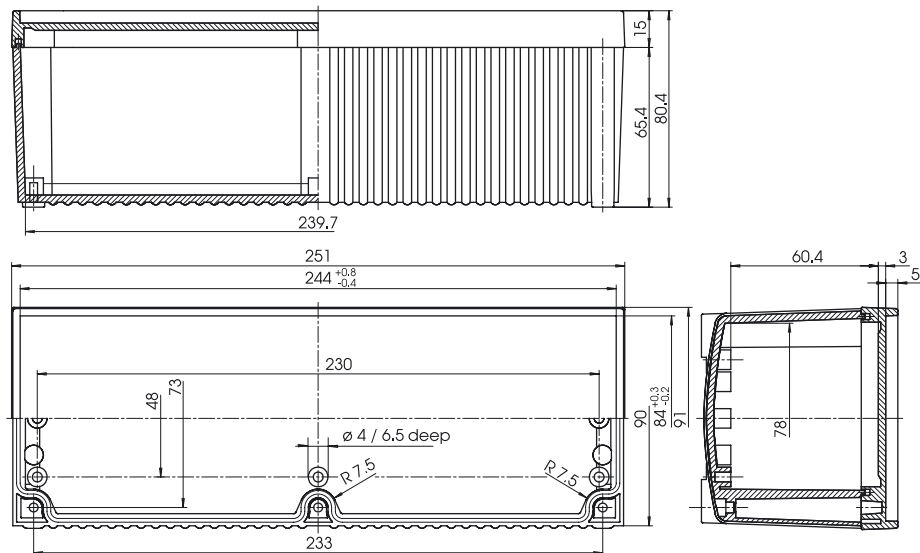
Order designation		External dim.		
Model	Order no.	L	W	H
TAS 200	08200000	251	91	80

Membrane area: L 244 x W 84 x D 5 mm

Scope of delivery:
Lid with seal

Base:
6 fixing screws M 4 x 62
– screwed from below –

4 self-tapping screws
SHR Z B 4.5 x 7.8
– for mounting plate –



Z-2500354