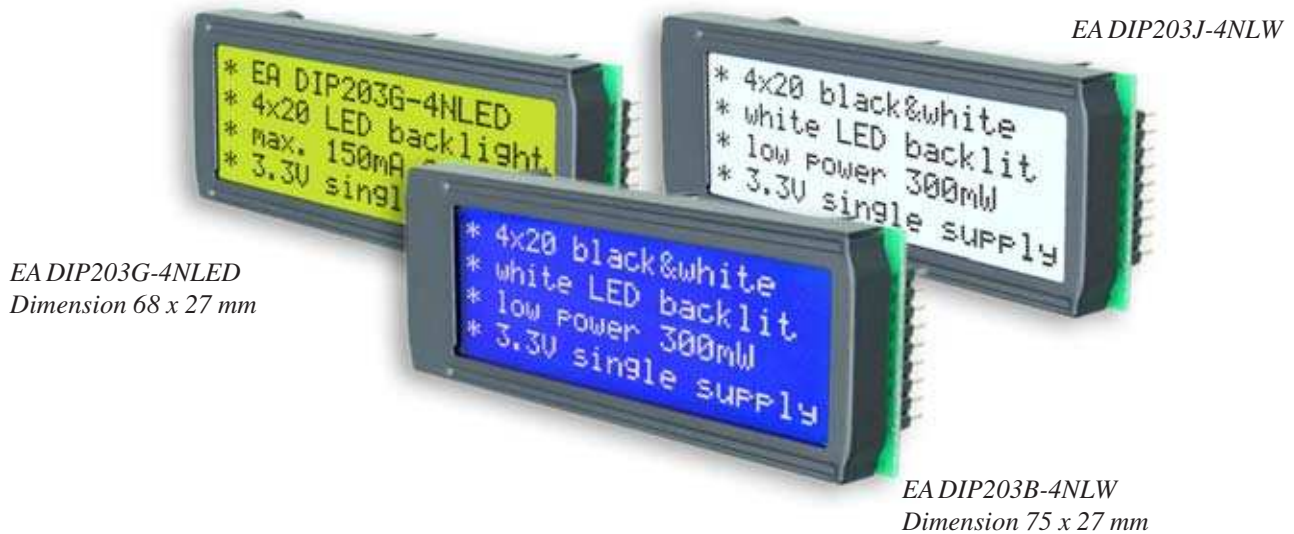


# LCD MODULE 4x20 - 3.75mm

Issue 4.2013

## INCL. CONTROLLER SSD1803



*EA DIP203G-4NLED  
Dimension 68 x 27 mm*

*EA DIP203J-4NLW*

*EA DIP203B-4NLW  
Dimension 75 x 27 mm*

## FEATURES

- \* HIGH CONTRAST LCD SUPERTWIST DISPLAY
- \* CONTROLLER SSD1803 (NEARLY 100% COMPATIBLE WITH HD44780)
- \* INTERFACE FOR 4- AND 8-BIT DATA BUS
- \* SERIAL SPI INTERFACE (SID, SOD, SCLK)
- \* POWER SUPPLY +2.7 V ~ +3.45V / 1.5mA
- \* LED BACKLIGHT Y/G max. 150mA@+25°C
- \* LED BACKLIGHT BLUE-WHITE AND BLACK-WHITE max. 45mA@+25°C
- \* OPERATING TEMPERATURE RANGE -20..+70°C
- \* BUILT-IN TEMPERATURE COMPENSATION
- \* SOME MORE MODULES WITH SAME SIZE AND SAME PINOUT:
  - DOTMATRIX 1x8, 2x16
  - GRAPHIC 122x32
- \* NO SCREWS REQUIRED: SOLDER ONTO PCB ONLY
- \* DETACHABLE VIA 9-PIN SOCKET EA B200-9 (2 PCS REQUIRED)

## ORDERING INFORMATION

LCD MODULE 4x20 - 3.73mm WITH LED BACKLIGHT Y/G  
BLUE-WHITE  
BLACK-WHITE  
9-PIN SOCKET, HEIGHT 4.3mm (1 PC.)

**EA DIP203G-4NLED**  
**EA DIP203B-4NLW**  
**EA DIP203J-4NLW**  
**EA B200-9**

**ELECTRONIC  
ASSEMBLY**

making things easy

## PINOUT

Pin	Symbo	Level	Function	Pin	Symbo	Level	Function
1	VSS	L	Power Supply 0V (GND)	10	D3	H / L	Display Data
2	VDD	H	Power Supply +3.3V	11	D4 (D0)	H / L	Display Data
3	VEE	-	Contrast adjustment, input	12	D5 (D1)	H / L	Display Data
4	RS (CS)	H / L	H=Data, L=Command	13	D6 (D2)	H / L	Display Data
5	R/W (SID)	H / L	H=Read, L=Write	14	D7 (D3)	H / L	Display Data, MSB
6	E (SCLK)	H	Enable (falling edge)	15	-	-	NC (see EA DIP122-5N)
7	D0 (SOD)	H / L	Display Data, LSB	16	RES	L	Reset (internal Pullup 10k)
8	D1	H / L	Display Data	17	A	-	LED B/L+ Resistor required
9	D2	H / L	Display Data	18	C	-	LED B/L-

## BACKLIGHT

Using the LED backlight requires a current source or external current-limiting resistor. Forward voltage for yellow/green backlight is 3.9~4.2V and for white LED backlight is 3.0~3.6V. Please take care of derating for  $T_a > +25^\circ\text{C}$ .

**Note:** Do never connect backlight directly to 5V; this may destroy backlight immediately !

## TABLE OF COMMAND (SSD1803, IE=HIGH)

Instruction	C ode										Description	Execute Time (270kHz)	
	RE Bit	RS	R/W	DB 7	DB 6	DB 5	DB 4	DB 3	DB 2	DB 1			DB 0
Clear Display	*	0	0	0	0	0	0	0	0	1	Clears all display and returns the cursor to the home position (Address 0).	1.53ms	
Cursor At Home	0	0	0	0	0	0	0	0	0	1	Returns the Cursor to the home position (Address 0). Also returns the display being shifted to the original position. DD RAM contents remain unchanged.	1.53ms	
Power Down Mode	1	0	0	0	0	0	0	0	0	1	Set Power down mode bit. PD=0: powerdown mode disable PD=1: powerdown mode enable	39μs	
Entry Mode Set	0	0	0	0	0	0	0	0	1	I/D	S Cursor moving direction (I/D=0: dec; I/D=1: inc) shift enable bit (S=0: disable; S=1: enable shift)	39μs	
	1	0	0	0	0	0	0	1	1	BID	Segment bidirectional function (BID=0: Seg1->Seg60; BID=1: Seg60->Seg1)	39μs	
Display On/Off Control	0	0	0	0	0	0	0	1	D	C	B D=0: display off; D=1: display on C=0: cursor off; C=1: cursor on B=0: blink off; B=1: blink on	39μs	
extended Function Set	1	0	0	0	0	0	0	1	FW	BW	NW FW=0: 5-dot font width; FW=1: 6-dot font width BW=0: normal cursor; BW=1: inverting cursor NW=0: 1- or 2-line (see N); NW=1: 4-line display	39μs	
Cursor / Display Shift	0	0	0	0	0	0	1	S/C	R/L	*	*	Moves the Cursor or shifts the display S/C=0: cursor Shift; S/C=1: display shift R/L=0: shift to left; R/L=1: shift to right	39μs
Scroll Enable	1	0	0	0	0	0	1	H4	H3	H2	H1	Determine the line for horizontal scroll	39μs
Function Set	0	0	0	0	0	1	DL	N	RE	DH	RE	sets interface data length (DL=0:4-bit; DL=1:8-bit) number of display lines (N=0: 1-line; N=1: 2-line) extension register (RE= 0/1) scroll/shift (DH=0: dot scroll; DH=1: display shift) reverse bit (REV=0:normal; REV=1:inverse display)	39μs
	1	0	0	0	0	1	DL	N	RE	BE	LP	CG-/SEG-RAM blink (BE=0: disable; BE=1: enable) LP=0: normal mode; LP=1: low power mode	39μs
CG RAM Address Set	0	0	0	0	1	AC					Sets the CG RAM address. CG RAM data is sent and received after this setting.	39μs	
SEG RAM Address Set	1	0	0	0	1	*	*	AC				Sets the SEG RAM address. SEG RAM data is sent and received after this setting.	39μs
DD RAM Address Set	0	0	0	1	AC					Sets the DD RAM address. DD RAM data is sent and received after this setting.	39μs		
Set Scroll Quantity	1	0	0	1	*	SQ					Sets the quantity of horizontal dot scroll (DH=0)	39μs	
Busy Flag / Address Read	*	0	1	BF	AC					Reads Busy flag (BF) indicating internal operation is being performed and reads address counter contents.	-		
Write Data	*	1	0	Write Data					Writes data into internal RAM (DD RAM / CG RAM / SEGRAM)	43μs			
Read Data	*	1	1	Read Data					Reads data from internal RAM (DD RAM / CG RAM / SEGRAM)	43μs			

INITIALISATION EXAMPLE FOR 8 BIT MODE												
Command	RS	R/W	DB7	DB6	DB5	DB4	DB3	DB2	DB1	DB0	Hex	Description
Function Set	0	0	0	0	1	1	0	1	0	0	\$34	8 bit data length, extension bit RE=1
ext. Function Set	0	0	0	0	0	0	1	0	0	1	\$09	4 line mode
Function Set	0	0	0	0	1	1	0	0	0	0	\$30	8 bit data length, extension bit RE=0
Display ON/OFF	0	0	0	0	0	0	1	1	1	1	\$0F	display on, cursor on, cursor blink
Clear Display	0	0	0	0	0	0	0	0	0	1	\$01	clear display, cursor 1st. row, 1st. line
Entry Mode Set	0	0	0	0	0	0	0	1	1	0	\$06	cursor will be automatically incremented

**Addressing:**

- 1st. line \$00..\$13
- 2nd. line \$20..\$33
- 3rd. line \$40..\$53
- 4th. line \$60..\$73

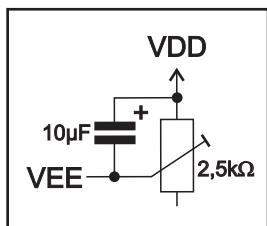
**CHARACTER SET**

A full character set is built-in already. Additionally to that 8 more characters can be defined individually.

**CONTRAST ADJUSTMENT**

Pin 3 requires driving voltage for contrast VEE. Adjustment can be done by external potentiometer for example. The capacitor is for a better startup behaviour.

**Note:** In contrast to many other dotmatrix lcd modules input is supplied with VDD level here !



All versions do have a built-in temperature compensation; so there's no more need for contrast adjustment during operation anymore.

Upper 4bit / Lower 4bit	LLLL	LLH	LHL	LLH	LHL	LHL	LHH	LHL	LLH	HLH	HLH	HLL	HLL	HLL	HLL	HLL	HLL	HLL
CG RAM (1)	█	█	█	█	█	█	█	█	█	█	█	█	█	█	█	█	█	█
(2)	█	█	█	█	█	█	█	█	█	█	█	█	█	█	█	█	█	█
(3)	█	█	█	█	█	█	█	█	█	█	█	█	█	█	█	█	█	█
(4)	█	█	█	█	█	█	█	█	█	█	█	█	█	█	█	█	█	█
(5)	█	█	█	█	█	█	█	█	█	█	█	█	█	█	█	█	█	█
(6)	█	█	█	█	█	█	█	█	█	█	█	█	█	█	█	█	█	█
(7)	█	█	█	█	█	█	█	█	█	█	█	█	█	█	█	█	█	█
(8)	█	█	█	█	█	█	█	█	█	█	█	█	█	█	█	█	█	█
(1)	█	█	█	█	█	█	█	█	█	█	█	█	█	█	█	█	█	█
(2)	█	█	█	█	█	█	█	█	█	█	█	█	█	█	█	█	█	█
(3)	█	█	█	█	█	█	█	█	█	█	█	█	█	█	█	█	█	█
(4)	█	█	█	█	█	█	█	█	█	█	█	█	█	█	█	█	█	█
(5)	█	█	█	█	█	█	█	█	█	█	█	█	█	█	█	█	█	█
(6)	█	█	█	█	█	█	█	█	█	█	█	█	█	█	█	█	█	█
(7)	█	█	█	█	█	█	█	█	█	█	█	█	█	█	█	█	█	█
(8)	█	█	█	█	█	█	█	█	█	█	█	█	█	█	█	█	█	█

**CREATING YOUR OWN CHARACTERS**

All these character display modules got the feature to create 8 own characters (ASCII Codes 0..7) in addition to the 240 ROM fixed codes.

- 1.) The command "CG RAM Address Set" defines the ASCII code (Bit 3,4,5) and the dot line (Bit 0,1,2) of the new character. Example demonstrates creating ASCII code \$00.
- 2.) Doing 8 times the write command "Data Write" defines line by line the new character. 8th. byte stands for the cursor line.
- 3.) The newly defined character can be used as a "normal" ASCII code (0..7); use with "DD RAM Address Set" and "Data Write".

Set CG RAM Address				Data							
Adresse		Hex	Bit								
7	6	5	4		3	2	1	0	Hex		
0	1	0	0	0	0	0	0	0	0	\$04	
				0	0	1	0	0	0	\$04	
				0	1	0	0	0	0	\$04	
				0	1	1	0	0	0	\$04	
				1	0	0	0	0	0	\$04	
				1	0	1	0	0	0	\$04	
				1	1	0	0	0	0	\$04	
				1	1	1	0	0	0	\$00	

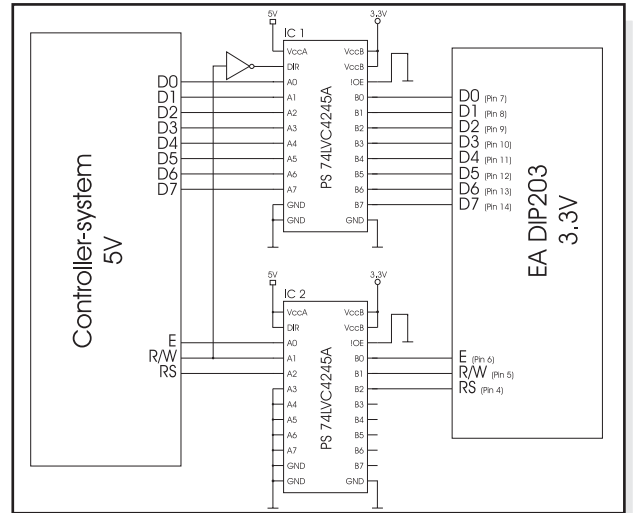
## DRIVING WITH 5V-SYSTEMS

The supply voltage of the display is necessarily 3.3V. If a 5V-system is used, the level have to be adapted. For example you can use a bidirectional levelshifter (e.g. PS 74LVC4245A), like shown in the opposite figure.

## COMPATIBILITY WITH EA DIP204-4

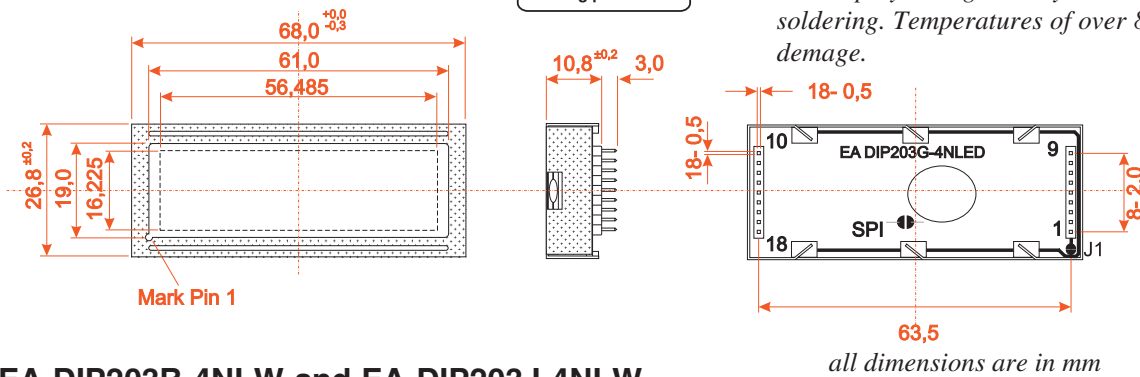
The displays of EA DIP203 and EA DIP204 series are electrically and mechanically identical to each other running with 3.3V supply mode.

Merely a 5V supply is not acceptable with the new EA DIP203 series.

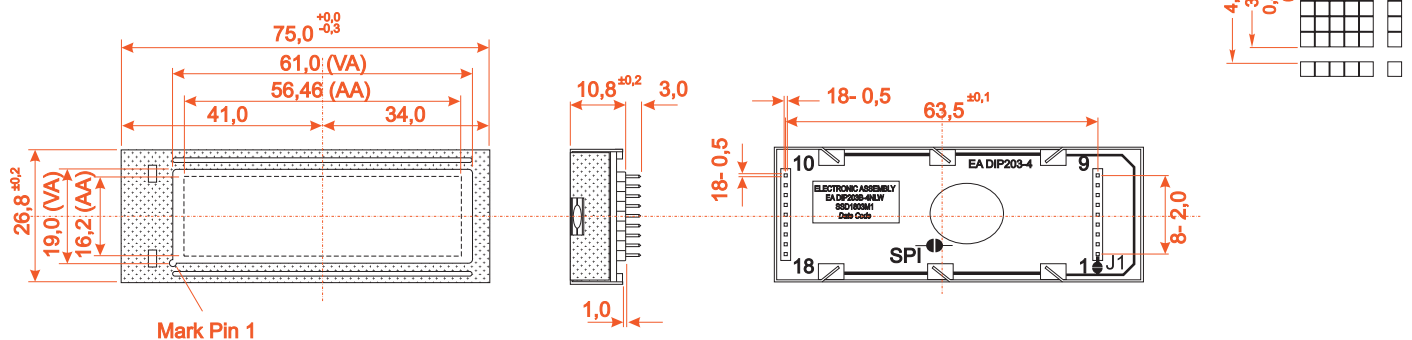


*Note:*  
LC-Displays are generally not suited to wave or reflow soldering. Temperatures of over 80°C can cause lasting damage.

## EA DIP203G-4NLED



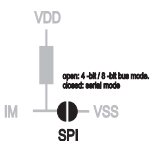
## EA DIP203B-4NLW and EA DIP203J-4NLW



## SERIAL MODE

Factory setting for interface is parallel with 4 bit or 8 bit data bus. Alternatively the module can be used with serial data stream. For that, solder link **SPI** has to be closed. Specification for serial operation mode is described in user manual for SSD1803:

[http://www.lcd-module.de/fileadmin/eng/pdf/zubehoer/ssd1803\\_2\\_0.pdf](http://www.lcd-module.de/fileadmin/eng/pdf/zubehoer/ssd1803_2_0.pdf)



# ELECTRONIC ASSEMBLY

making things easy