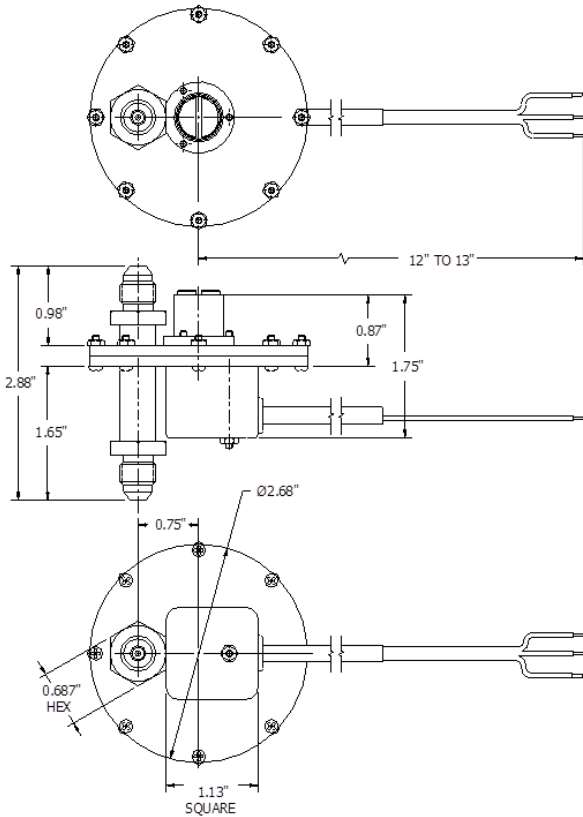


Made in USA

**FEATURES / BENEFITS**

- Lightweight, aluminum construction
- Low pressure ranges
- Fully enclosed design for harsh environments
- Wet / Wet ability
- SPDT & DPDT electrical switch options available



**SPECIFICATIONS**

**MECHANICAL**

Standard Tolerance	+/- 10%
Switch Type	SPDT (single pole / double throw) or DPDT (double pole / double throw)
Switching Medium	Air or compatible fluids
Mechanical Life	100,000 cycles
Set-Point Ranges	.01 to 6 PSI
Proof Pressure	75 PSI
Hysteresis	10% to 50% of set point
Operating Temp.	-65 TO 350 DEG F

**ELECTRICAL**

Current Rating	Resistive 5 AMP
Operating Voltage	30VDC



**PHYSICAL**

Case Material	2024T351 Aluminum, Gold anodized
Seal	Varies by option - See part number system below
Diaphragm	Mylar
Pressure Port	Varies by option - See part number system below
Electrical Connections	Wire leads or Mate n lok 1-480701
Weight	Less than 6 ounce

Series	Type	Housing	Seal	Electrical Output	Electrical Connection	Pressure Port	Set-Point (PSI)
654	P - Pressure V - Vacuum D - Differential	AL - Aluminum ST - Stainless Steel	1 - Buna n 2 - Ethylene Propylene 3 - Mylar 4 - Neoprene 5 - Silicone 6 - Stainless Steel	SP - SPDT DP - DPDT	1 - Amp 6-p 2 - 12" leads 3 - Amp Mate-N-Lok 1-480700 4 - Amp Mate-N-Lok 1-480701 5 - MS3102-10SI-3P 6 - MS3112E10-6P 7 - MS33678-10SI-3P	A - 1/8" MNPT B - 1/4" MNPT C - An816-4d D - And10050-4 E - Imperial 1/4" plastic F - MS33656E-6 G - MS33649-4 H - MS33656E-2 I - MS33656E-4 J - MS33656E-5 K - MS33656E-3	0.01-6 PSI

**Determine Your Product Number:**

**654 - x - AL - x - xx - x - x - xxxx**

Highlighted Options Standard

**654 SERIES**