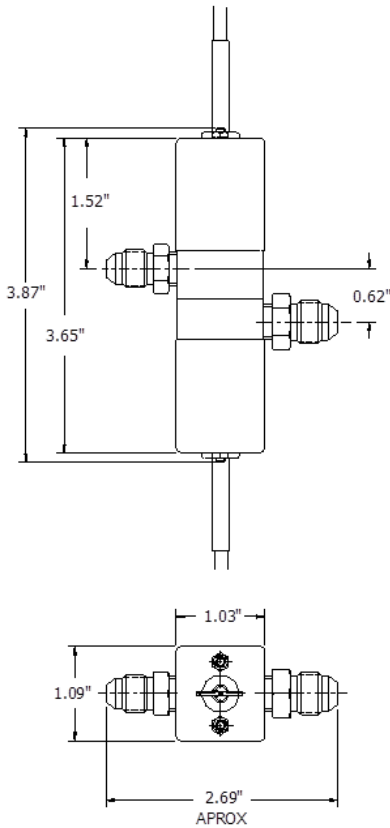


Made in USA

FEATURES / BENEFITS

- Lightweight, aluminum construction
- Dual-spring design for accuracy and stability
- One piece fully supported diaphragm to achieve both low set-points and high proof pressures
- Factory set, tamper proof
- Fully enclosed design for harsh environments



SPECIFICATIONS

MECHANICAL		ELECTRICAL
Standard Tolerance	+/- 10%	Current Rating
Switch Type	SPDT (single pole / double throw)	Resistive 5 AMP
Switching Medium	Air or compatible fluids	Operating Voltage
Mechanical Life	100,000 cycles	30VDC
Set-Point Ranges	40 to 500 PSI	
Proof Pressure	3500 PSI	
Hysteresis	5% to 30% of set point	
Operating Temp.	-65 TO 300 DEG F	
PHYSICAL		
Case Material	2024T351 Aluminum, Gold anodized	
Seal	Buna n	
Diaphragm	Silicone	
Pressure Port	Varies by option - See part number system below	
Electrical Connections	Varies by option - See part number system below	
Weight	Less than 6 ounces	

Series	Type	Housing	Seal	Electrical Output	Electrical Connection	Pressure Port	Set-Point (PSI)
658	P - Pressure	AL - Aluminum	1 - Buna n	SP - SPDT	1 - Amp 6-p	A - 1/8" MNPT	40-500 PSI
	V - Vacuum	ST - Stainless Steel	2 - Ethylene Propylene	DP - DPDT	2 - 12" leads	B - 1/4" MNPT	
	D - Differential		3 - Mylar		3 - Amp Mate-N-Lok 1-480700	C - An816-4d	
			4 - Neoprene		4 - Amp Mate-N-Lok 1-480701	D - And10050-4	
			5 - Silicone		5 - MS3102-10SI-3P	E - Imperial 1/4" plastic	
			6 - Stainless Steel		6 - MS3112E10-6P	F - MS33656E-6	
					7 - MS33678-10SI-3P	G - MS33649-4	
						H - MS33656E-2	
						I - MS33656E-4	
						J - MS33656E-5	
						K - MS33656E-3	

Determine Your Product Number:

658 - D - AL - 5 - SP - x - x - xxxx

Highlighted Options Standard

658 SERIES