

3½ Digit DC Voltmeter

1/16 DIN Case, 5 Vdc Powered

215



215-2 shown
actual size.

- ✓ ±1999 Count Display Span
- ✓ ±200 mV to ±200 Vdc Ranges
- ✓ True-Differential Input
- ✓ 80 dB CMR
- ✓ 10 GΩ Input Impedance
- ✓ 3-Wire Ratio Input
- ✓ Bright, 14 mm (0.56") LED Display
- ✓ Automatic Zero and Polarity
- ✓ Display Hold and Test
- ✓ 5 Vdc Power
- ✓ Low-Profile 1/16 DIN Case
- ✓ Low Cost

The 215 is an economical, 5-volt powered, 3½ digit DC voltmeter in a compact 1/16 DIN case. The height of the panel cutout is only 22 mm (0.88"), and the depth behind the panel is only 72 mm (2.83"). Low cost, small size and low power consumption at 5 Vdc make the 215 ideal for OEM and portable instrument applications.

Specifications

Common-Mode Noise Rejection

CMR: 80 dB, DC to 60 Hz

CMV: -1 to +2 V for (SIG HI + SIG LO)/2

Accuracy at 25°C

Maximum Error: ±0.05% of reading ±1 count

Span Tempco, Standard: ±0.008% of reading/°C

Warmup to Rated Accuracy: 5 s

Analog Input

Configuration: Bipolar true-differential

Zero: Automatic

Display

Type: 7-segment, red LED

Height: 14.2 mm (0.56")

Symbols: -1.8.8.8

Decimal Points: Three positions programmable internally or at connector

Overrange Indication: Three least-significant digits blank

Digital Inputs

HOLD and TEST inputs: TTL or 5V CMOS compatible

Power

Voltage: 5 Vdc ±5%

Current: 170 to 230 mA

Power Consumption: 1 W (nominal)

Environmental

Operating Temperature: 0 to 55°C

Storage Temperature: -40 to 85°C

Relative Humidity: 95% at 40°C (non-condensing)

Analog-to-Digital Conversion

Technique: Dual-slope, average-value

Polarity: Automatic

Signal Integration Period: 100 ms

Read Rate: 2.5/sec

Full-Scale Step Response: 1.2 s

3-Wire Ratio Reference

Reference Voltage: 0.5 to 3.0V

Load on Reference: 40 kΩ

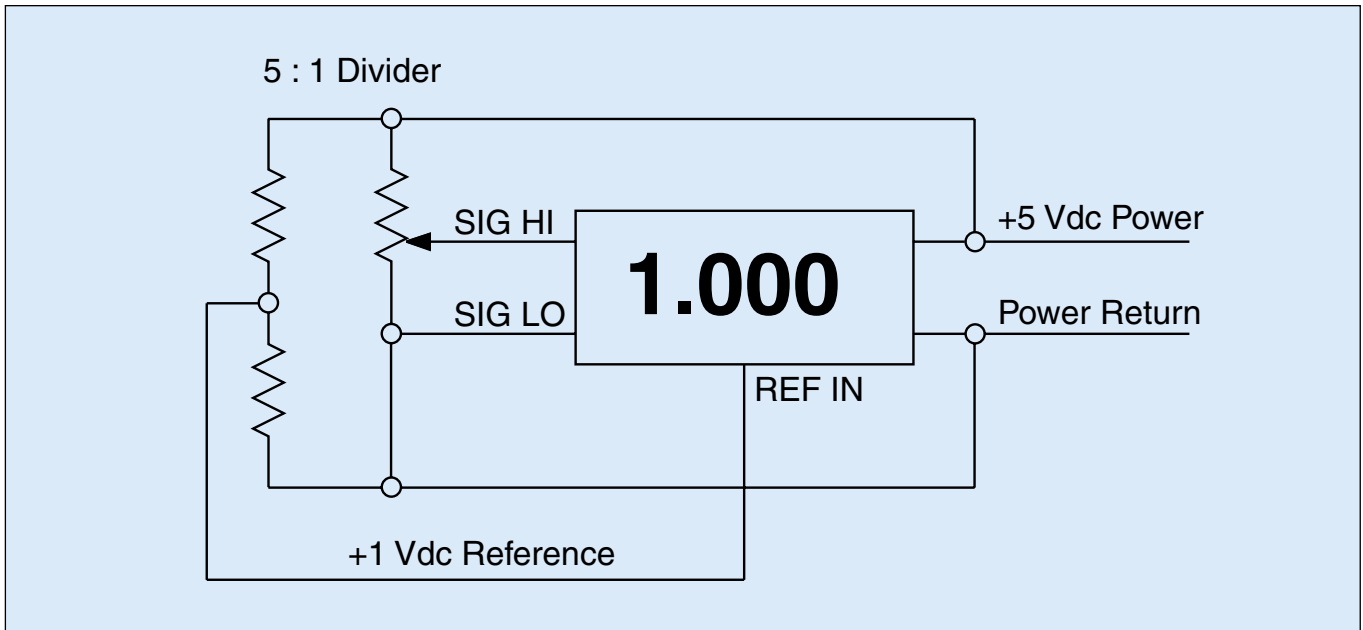
Mechanical

Dimensions: 24 H x 96 W x 72 mm D (0.94 x 3.77 x 2.82")

Panel Cutout: 22.2 x 92 mm (0.874 x 3.622")

Weight: 5 oz (145 g)

Case Material: 94V-0 UL-rated polycarbonate



Range	Resolution	Maximum Input	Input Resistance	Bias Current	NMR at 50/60 Hz
±199.9 mV	100 µV	130 Vp	10 GΩ	50 pA	56 dB
±1.999V	1 mV	130 Vp	10 GΩ	50 pA	56 dB
±19.99V	10 mV	150 Vp	1.1 MΩ	5 pA	42 dB
±199.9V	100 mV	330 Vp	1 MΩ	0.5 pA	36 dB

To Order Visit newportUS.com/215 for Pricing and Details

Model No.		Description
215		5 Vdc powered 3½ digit DC voltmeter
	-2	±199.9 mVdc
	-3	±1.999 Vdc
	-4	±19.99 Vdc
	-5	±199.9 Vdc
	*	(Nothing, leave field blank) spring clamp case mounting
	,UC	U-shaped mounting clamp
	*	(Nothing, leave field blank) programmable at D1 connector
	,DP1	230 Vac, 50/60 Hz
	,DP2	Isolated 9-32 Vdc
	,DP3	Isolated 26-56 Vdc
	*	(Nothing, leave field blank) Red LED display
	,G	Green LED display
	*	(Nothing, leave field blank) No Option
	,BL	Lens without Newport logo

NOTE: All combinations may not be valid, check spec sheet for valid part numbers.
Ordering Example: 315-2, 3½ digit DC voltmeter, 5 Vdc power, with ±199.9 mVdc input range.