



Extension Cables

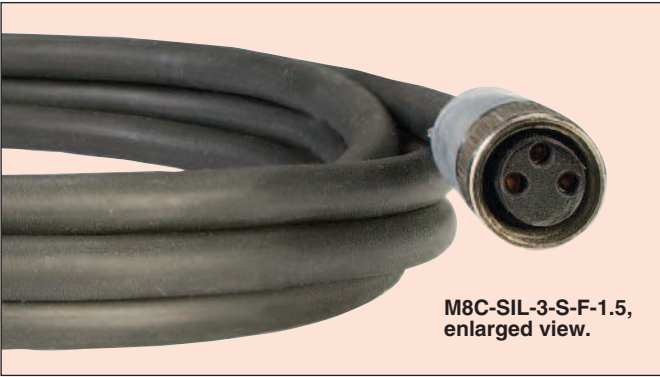
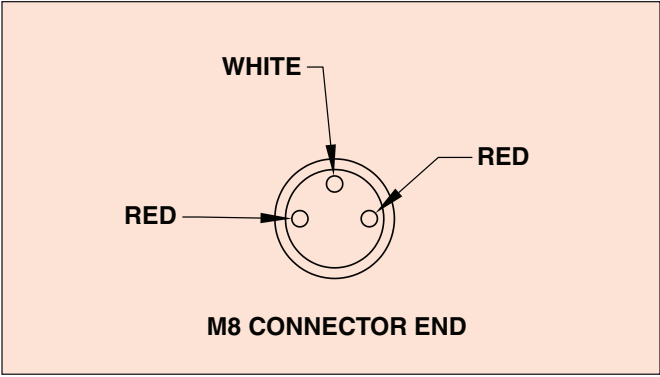
For Use with 2- or 3-Wire RTD Sensors with M8 Connectors

M8C
Starts at
\$10

- ✓ Extension Cables for Use with M8 Style Sensors
- ✓ Straight and Right Angled Connectors
- ✓ Female M8 Connector One End, Flying Leads on the Other



M8C-SIL-3-S-F-1.5, \$10, shown actual size.



Field mountable M8 connectors For details visit newportUS.com/m8-m12fm All shown actual size.



M8-S-M-FM, \$11



M8-S-F-FM, \$11



M8-R-M-FM, \$11



M8-R-F-FM, \$11

MOST POPULAR MODELS HIGHLIGHTED!

To Order (Specify Model Number)						
Model Number	Termination		Cable Insulation	# of Wires	Cable Length	Price
	First End	Second End				
M8C-SIL-3-S-F-1.5	Straight 3-pin M8 female	Flying leads 2-red, 1-white	Silicone	3	1.5 m (4.9')	\$10
M8C-SIL-3-S-F-3	Straight 3-pin M8 female	Flying leads 2-red, 1-white	Silicone	3	3 m (9.8')	12
M8C-SIL-3-S-F-5	Straight 3-pin M8 female	Flying leads 2-red, 1-white	Silicone	3	5 m (16.4')	16
M8C-SIL-3-R-F-1.5	Right angled 3-pin M8 female	Flying leads 2-red, 1-white	Silicone	3	1.5 m (4.9')	10
M8C-SIL-3-R-F-3	Right angled 3-pin M8 female	Flying leads 2-red, 1-white	Silicone	3	3 m (9.8')	12
M8C-SIL-3-R-F-5	Right angled 3-pin M8 female	Flying leads 2-red, 1-white	Silicone	3	5 m (16.4')	16

Ordering Example: M8C-SIL-3-S-F-3, Silicone insulated extension cable, 3 m (9.8') L, straight female M8 connector one end, 2-red and 1-white flying leads on the other, \$12.