

# 25.4 mm (1") DIAMETER STAINLESS STEEL COMPRESSION LOAD CELL

## STANDARD AND METRIC MODELS

### Compression

**0-100 lb to 0-10,000 lb**  
**0-500 to 0-50,000 N**

1 Newton = 0.2248 lb  
1 daNewton = 10 Newtons  
1 lb = 454 g  
1 t = 1000 kg = 2204 lb

## LC304/LCM304 Series



- ✓ Heavy-Duty Design
- ✓ Built-In Load Button for Easy Installation
- ✓ Miniature 25 mm (1") Diameter and 25 mm (1") High Case
- ✓ 5-Point Calibration Provided

LC304/LCM304 Series load cells offer the highest output of all miniature load cells. Their small 25 mm (1") diameter makes it easy to mount them in a pocket or on a flat surface. The rugged stainless steel case and high-quality construction ensure reliability.

### SPECIFICATIONS

**Excitation:** 10 Vdc, 15 Vdc maximum

**Output:** 2 mV/V nominal

**Accuracy:** ±0.5% FSO linearity, hysteresis, repeatability combined

**5-Point Calibration:**

0%, 50%, 100%, 50%, 0%

**Zero Balance:** ±2% FSO

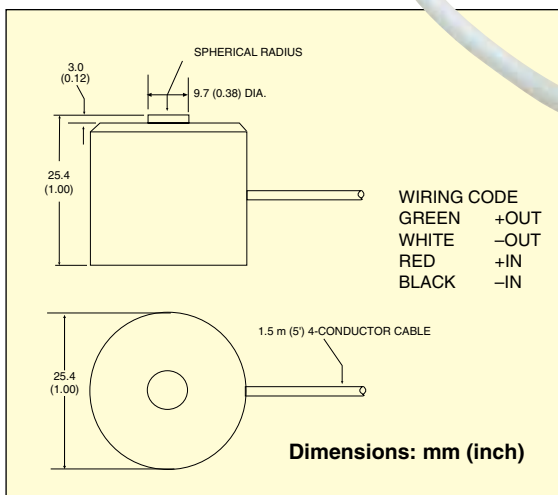
**Operating Temp Range:**

-54 to 107°C (-65 to 225°F)

**Compensated Temp Range:**

16 to 71°C (60 to 160°F)

**Deflection:** 0.025 to 0.076 mm (0.001 to 0.003")



**LC304-1K,**  
shown actual size.

### Thermal Effects:

Zero: 0.009% FSO/°C  
Span: 0.036% FSO/°C

**Protection Class:** IP65

**Safe Overload:** 150% of capacity

**Ultimate Overload:** 300% of capacity

**Bridge Resistance:** 350 Ω minimum

**Construction:** Stainless steel

**Electrical:** 1.5 m (5') 4-conductor cable

### STANDARD MODELS

To Order Visit <a href="http://newportUS.com/lc304">newportUS.com/lc304</a> for Pricing and Details			
CAPACITY		MODEL NO.	COMPATIBLE METERS
lb	N		
100	445	LC304-100	iSeries, DP41-S, DP25B-S
500	2224	LC304-500	iSeries, DP41-S, DP25B-S
1000	4448	LC304-1K	iSeries, DP41-S, DP25B-S
3000	13,345	LC304-3K	iSeries, DP41-S, DP25B-S
5000	22,242	LC304-5K	iSeries, DP41-S, DP25B-S
7500	33,363	LC304-7.5K	iSeries, DP41-S, DP25B-S
10,000	44,484	LC304-10K	iSeries, DP41-S, DP25B-S

### METRIC MODELS

CAPACITY		MODEL NO.	COMPATIBLE METERS
N	lb		
500	112	LCM304-500N	DP41-S, DP25B-S, iSeries
2000	450	LCM304-2KN	DP41-S, DP25B-S, iSeries
5000	1124	LCM304-5KN	DP41-S, DP25B-S, iSeries
10,000	2248	LCM304-10KN	DP41-S, DP25B-S, iSeries
20,000	4496	LCM304-20KN	DP41-S, DP25B-S, iSeries
50,000	11,240	LCM304-50KN	DP41-S, DP25B-S, iSeries

Comes complete with 5-point NIST-traceable calibration and 59 kΩ shunt data.

**Ordering Examples:** LC304-100, 100 lb capacity load cell.

LC304-5K, 5000 lb capacity load cell.

LCM304-5KN, 5000 N capacity load cell.