

EmETXe-i2905

Intel® Atom™ Processor N455/ D525 COM Express® Compact Type 2 CPU Module



Features

- **Fanless Design**
- Soldered onboard Intel® Atom™ Processor N455/D525
- Integrated Gigabit Ethernet
- Both LVDS and Analog RGB Output supported
- Dual Independent Displays
- **Extended Operating Temp.:** -20 ~ 70°C

System

CPU	Soldered onboard Intel® Atom™ Processor N455 1.66GHz or D525 dual-core 1.8GHz
Memory	Soldered onboard 2GB DDR3 SDRAM
Chipset	Intel® ICH8M
BIOS	AMI UEFI BIOS
Storage	1 x Ultra ATA, supporting 2 IDE devices 3 x Serial ATA ports with 300MB/s HDD transfer rate

I/O

USB Port	8 x USB 2.0 ports
Digital I/O	8-bit programmable digital input/output
Expansion Bus	5 x PCIe x1 lanes
	4 x PCI masters LPC (Low Pin Count) interface
Ethernet Chipset	1 x Intel® 82574L PCIe GbE controller
Audio	HD Audio link

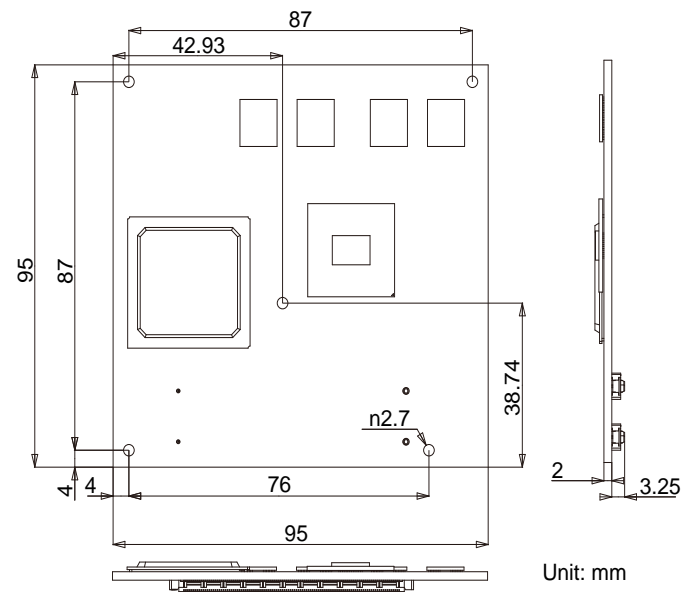
Display

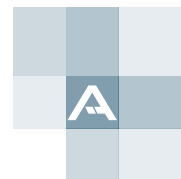
Graphic Chipset	Integrated Intel® Graphics Media Accelerator 3150
Graphic Interface	Analog RGB that supports resolution up to: - 1400 x 1050 @ 60Hz (N455) - 2048 x 1536 @ 60Hz (D525)
	Single Channel 18/24-bit LVDS that supports resolution up to: - 1280 x 800 or 1366 x 768 (N455) - 1366 x 768 (D525)
	Dual independent displays supported

Mechanical & Environmental

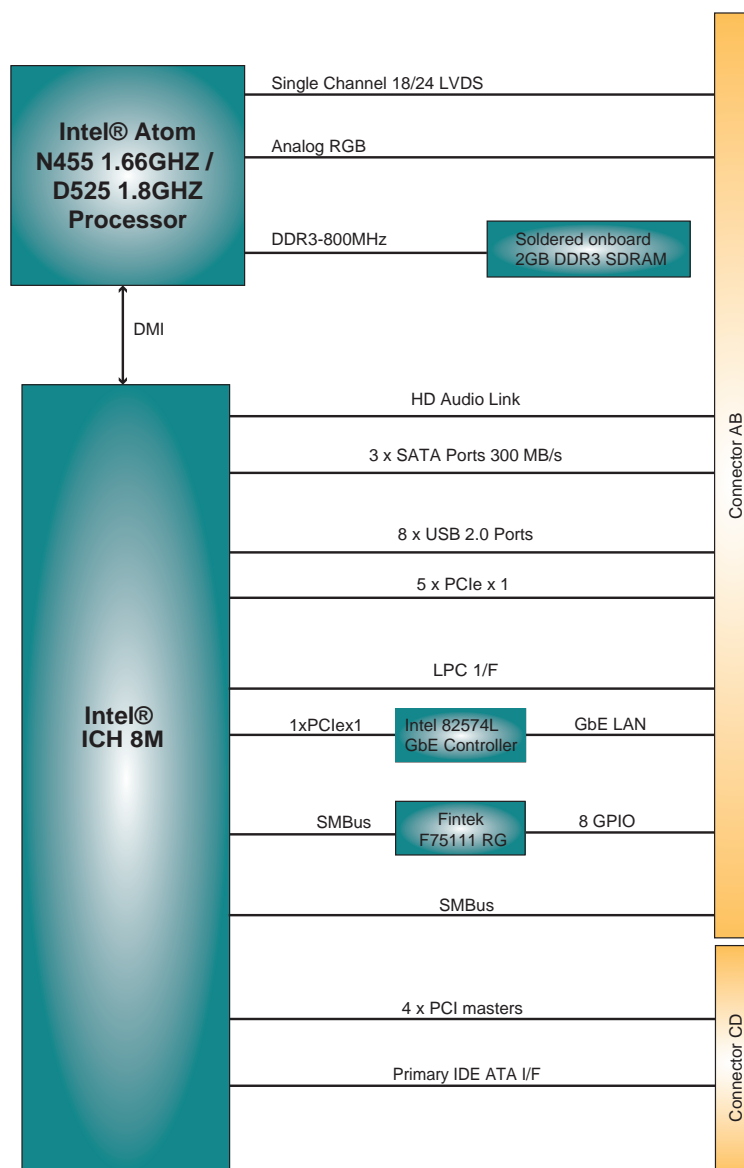
Power Requirement	12V, 5VSB
Power Consumption	1.05A/12V with N455 (Typical)
	1.25A/12V with D525 (Typical)
Operating Temp.	-20 ~ 70°C (-4 ~ 158°F)
Operating Humidity	10 ~ 95% @ 70°C (non-condensing)
Dimensions (L x W)	95 x 95 mm (3.7" x 3.7")

Dimensions





Block Diagram



Ordering Information

EmETXe-i2905-N4 Intel® Atom™ Processor N455 COM Express® Compact CPU module

EmETXe-i2905-D5 (BTO) Intel® Atom™ Processor D525 COM Express® Compact CPU module

Optional Accessories

HS-2905-F1-KIT Heat spreader (95 x 95 x 11mm)

HS-0000-W4 Universal evaluation heatsink kit with thermal pad (dimension: 125x95x22mm, only used on a flat type heat spreader)

PBE-1700-W R1.3 COM Express® Type 2 evaluation board in ATX form factor with W83627 Super IO

CBK-04-1700-00
Cable kit
1 x SATA cable
1 x COM-port cable
1 x FDD cable
1 x IDE cable

CPF-0000-C1 FAN, 4500RPM, 60x60x20mm