

# EmETXe-i87M0

## 4<sup>th</sup> Generation Intel® Core™ Processor COM Express® Basic Type 6 CPU Module



### Features

- Soldered onboard 4<sup>th</sup> Generation Intel® Core™ Processor
- Integrated Gigabit Ethernet
- Dual channels 24-bit LVDS, Analog RGB, and 3 x DDI ports
- Supports 3 independent displays
- RAID 0, 1, 5, 10 supported
- Support Intel® Active Management Technology (Intel® AMT)
- **Extended Operating Temp.: -20 ~ 70°C**
- **Wide Range Operating Temp.: -40 ~ 85°C (WT series)**

### System

CPU	Soldered onboard 4 <sup>th</sup> Generation Intel® Core™ i5-4402E 1.6GHz / i5- 4422E 1.8GHz i3- 4112E 1.8GHz / i3- 4110E 2.6GHz
Memory	2 x DDR3L SO-DIMM sockets, supporting SDRAM up to 16GB
Chipset	Intel® PCH QM87
BIOS	AMI UEFI BIOS
Watchdog Timer	1~255 levels reset

### I/O

USB Port	12 x USB ports: - 8 x USB 2.0 ports - 4 x USB 3.0 ports
Digital I/O	8-bit programmable digital input/output
Expansion Bus	1 x PCIe x16 Generation 3 lanes 8 x PCIe x1 Generation 2 lanes
Storage	4 x Serial ATA ports: - 2 ports with 600MB/s HDD transfer rate - 2 ports with 300MB/s HDD transfer rate SATA RAID 0, 1, 5, 10 supported
Ethernet Chipset	1 x Intel® i217LM PCIe GbE PHY
Audio	HD Audio link

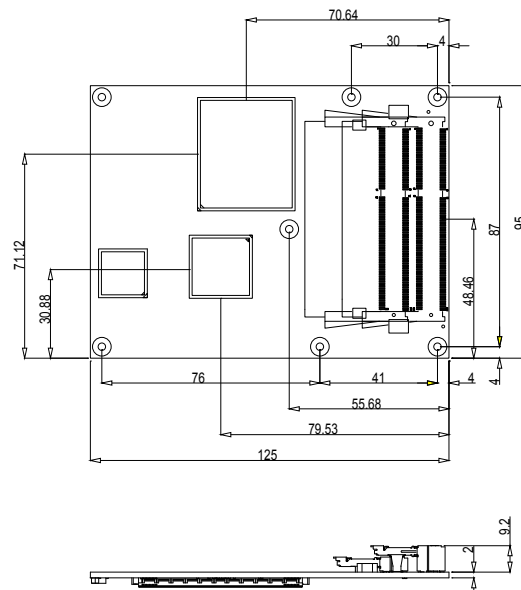
### Display

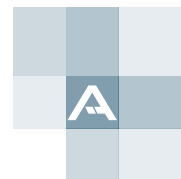
Graphic Chipset	Integrated Intel® HD Graphics 4600
Graphic Interface	Analog RGB supporting up to 1920x1200@60Hz LCD: Dual Channels 24-bit LVDS up to 1920 x 1200 @60Hz (optional) 3 x DDI ports

### Mechanical & Environmental

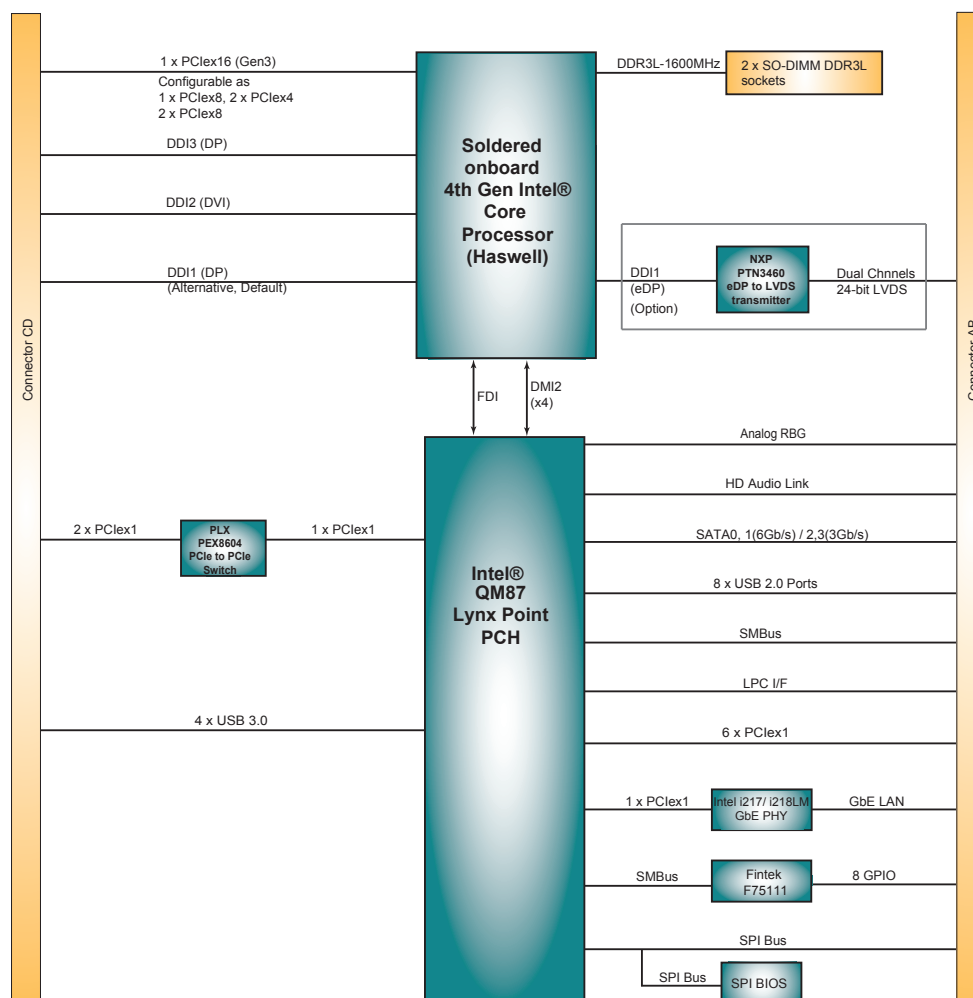
Power Requirement	+12V
Power Consumption	3A @+12V
Operating Temp.	-20 ~ 70°C (-4 ~ 158°F) -40 ~ 85°C (-40 ~ 185°F), WT series
Operating Humidity	10 ~ 95% @ 70°C (non-condensing) 10 ~ 95% @ 85°C (non-condensing), WT series
Dimensions (L x W)	125 x 95 mm (4.9" x 3.7")

### Dimensions





## Block Diagram



### Ordering Information

EmETXe-i87M0-4402E	4 <sup>th</sup> Generation Intel® Core™ i5-4402E/ QM87 COM Express® CPU module
EmETXe-i87M0-4422E(BTO)	4 <sup>th</sup> Generation Intel® Core™ i5-4422E/ QM87 COM Express® CPU module
EmETXe-i87M0-4112E(BTO)	4 <sup>th</sup> Generation Intel® Core™ i3- 4112E/ QM87 COM Express® CPU module
EmETXe-i87M0-4110E(BTO)	4 <sup>th</sup> Generation Intel® Core™ i3- 4110E/ QM87 COM Express® CPU module
EmETXe-i87M0-WT-4402E(BTO)	Wide-Range Temperature 4 <sup>th</sup> Generation Intel® Core™ i5-4402E / QM87 COM Express CPU Module
EmETXe-i87M0-WT-4422E(BTO)	Wide-Range Temperature 4 <sup>th</sup> Generation Intel® Core™ i5-4422E / QM87 COM Express CPU Module

### Optional Accessories

Starterkit-002-87M0	COM Express Type 6 Starter Kit for EmETXE-i87M0
HS-87M0-F1	Heat spreader (125x95x18mm), not compatible with WT series
HS-87M0-F2	Heat spreader (95x95x11mm), not compatible with WT series
HS-0000-W4	Universal evaluation heat sink kit with thermal pad (Dimensions: 125x95x22mm, only used on a flat-type heat spreader)
HS-87M0-C1	Cooler (125x95x34.8mm)
PBE-1702	COM Express® Type 6 evaluation carrier board (ATX form factor)
CBK-04-1702-00	Cable Kit
	1 x SATA cable
	2 x COM-port cables
	1 x USB cable