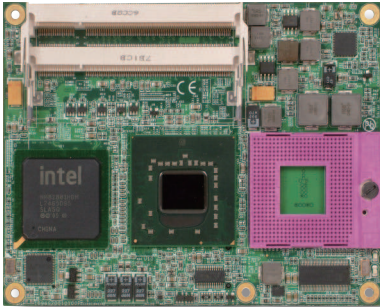


EmETXe-i9652

Intel® Core™ 2 Duo Processor COM Express® Basic Type 2 CPU Module



Features

- Intel® Socket P Mobile Processor supported
- Integrated Gigabit Ethernet
- Memory Capacity up to 4GB supported
- Dual Channels 24-bit LVDS and Analog RGB
- **Extended Operating Temp.: -20 ~ 70°C**

System

CPU	Intel® Core™ 2 Duo Processor, supporting FSB up to 800MHz Intel® Celeron® M Processor with 533/667MHz FSB
Memory	2 x 200-pin DDR2 SO-DIMM sockets, supporting 533/667MHz SDRAM up to 4GB
Chipset	Intel® GME965 + ICH8M
BIOS	AMI PnP Flash BIOS

I/O

USB Port	8 x USB 2.0 ports
Digital I/O	8-bit programmable digital input/output
Expansion Bus	5 x PCIe x1 lanes
	1 x PCIe x16 lanes (graphics only)
	4 x PCI masters
	LPC (Low Pin Count) interface
Storage	1 x Ultra ATA, supporting 2 IDE devices
	3 x Serial ATA ports with 300MB/s HDD transfer rate
Ethernet Chipset	1 x Realtek RTL8111 PCIe GbE controller
Audio	HD Audio link

Display

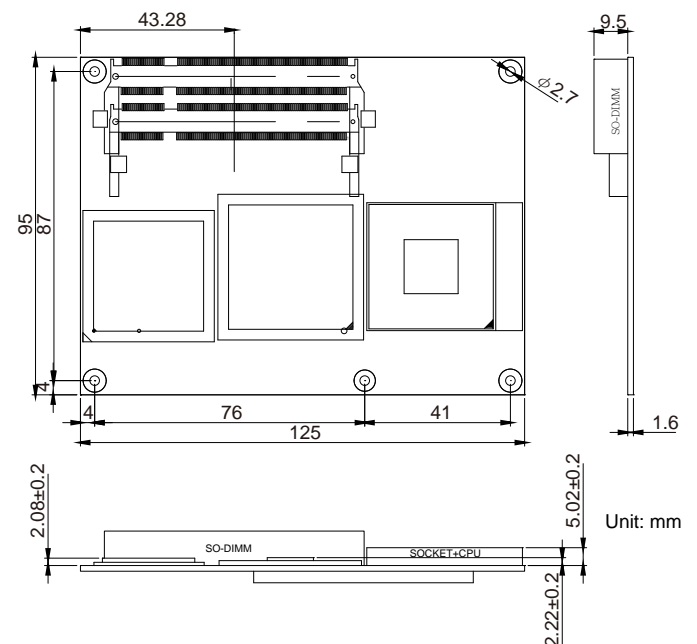
Graphic Chipset	Integrated Intel® Graphics Media Accelerator X3100
Graphic Interface	Analog RGB that supports resolution up to 2048 x 1536 @60Hz
	TV-out that supports NTSC/PAL up to HDTV 1080P
	LCD: Dual Channels 24-bit LVDS

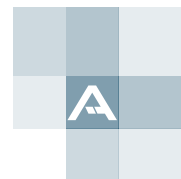
Recommended CPU List:
 T7500 2.2GHz Core™ 2 Duo Processor
 550 2.0GHz Celeron® M Processor

Mechanical & Environmental

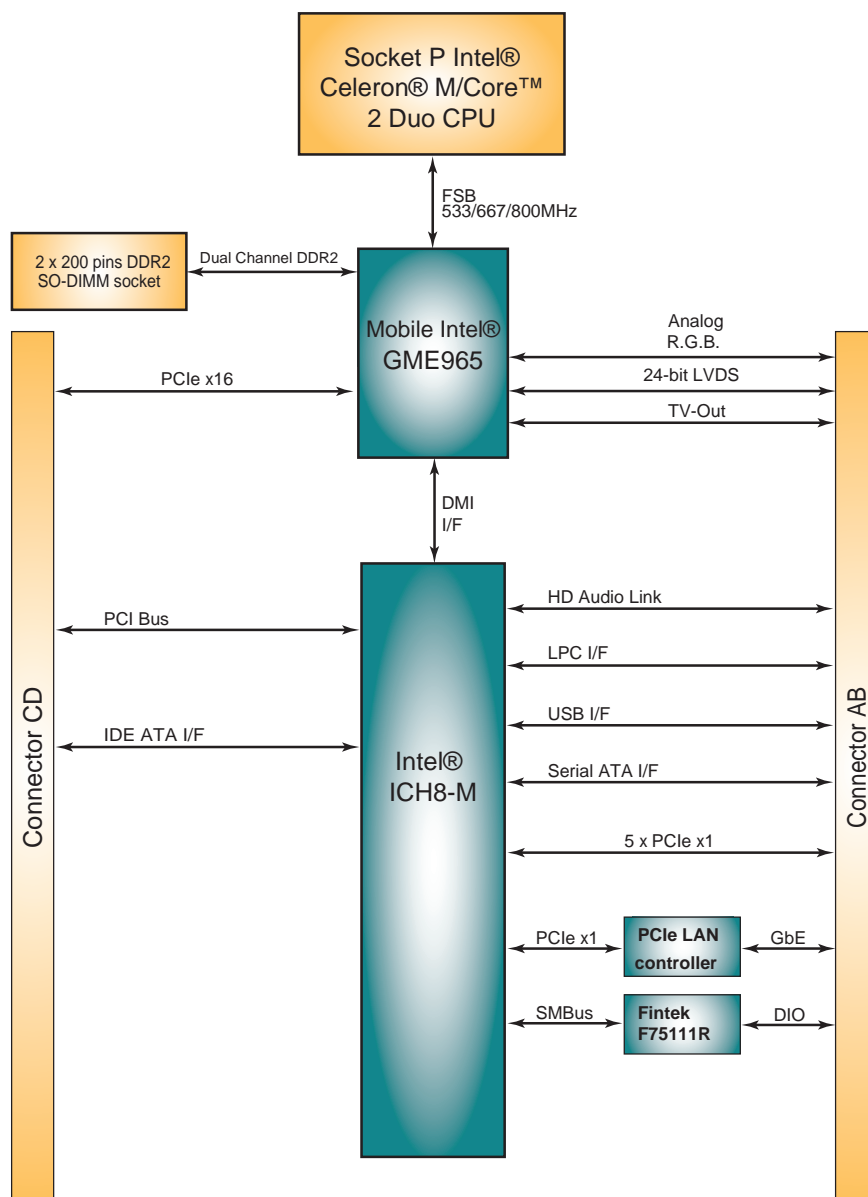
Power Requirement	+12V, 5VSB
Power Consumption	2.99A@+12V with Core™ 2 Duo T7500 (Typical)
Operating Temp.	-20 ~ 70°C (-4 ~ 158°F)
Operating Humidity	10 ~ 95% @ 70°C (non-condensing)
Dimensions (L x W)	125 x 95 mm (4.9" x 3.7")

Dimensions





Block Diagram



Ordering Information

EmETXe-i9652	Socket P Intel® Core™ 2 Duo/Celeron® M COM Express® CPU module
--------------	--

Optional Accessories

HS-9455-C3	Heatsink with fan for socket type CPU module (125 x 96 x 39 mm)
PBE-1700-W R1.3	COM Express® Type 2 evaluation board in ATX form factor with W83627 Super IO
CBK-04-1700-00	Cable kit 1 x SATA cable 1 x COM-port cable 1 x FDD cable 1 x IDE cable