

EmNANO-i2300

Intel® Atom™ Processor E3800 family COM Express® Mini Type 10 CPU Module



Features

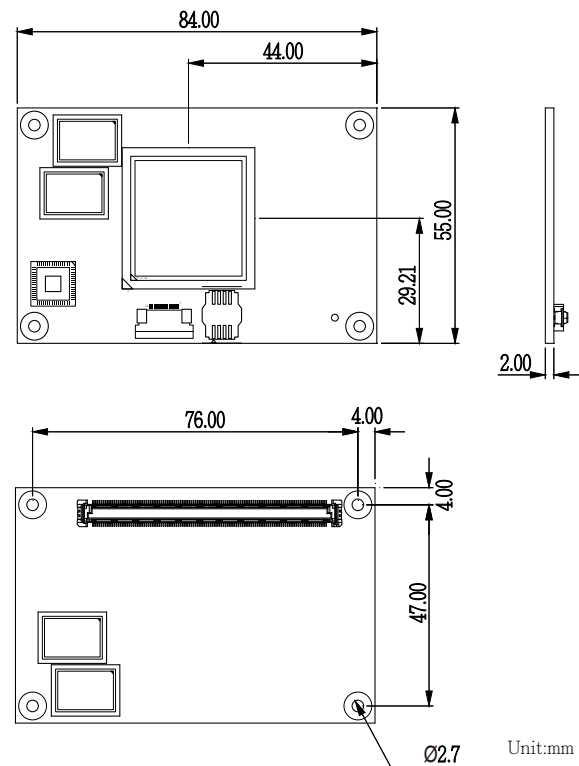
- Soldered onboard Intel® Atom™ Processor E3800 family
- Integrated Gigabit Ethernet
- 1 x DDI port, 1 x LVDS port
- 1 x USB 3.0 port, 8 x USB 2.0 ports, 1 x Serial Port
- Support Dual Independent Displays
- **Extended Operating Temp.: -20 ~ 70°C**

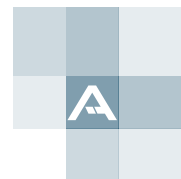
System	
CPU	Intel® Atom™ Processor E3825 dual-core 1.33GHz or E3845 quad-core 1.91GHz Intel® Atom™ Processor E3826 dual-core 1.46GHz or E3827 dual-core 1.75GHz (BTO)
Memory	Soldered onboard 2GB DDR3L SDRAM
BIOS	Insyde UEFI BIOS
I/O	
USB Port	8 x USB 2.0 ports, 1 x USB 3.0 port
Serial Port	1 x Serial Port (TX/RX only)
Expansion Bus	3 x PCIe x1 Gen2 lanes SPI, and LPC (Low Pin Count) interface, SDIO
Storage	2 x Serial ATA ports
Ethernet Chipset	1 x Intel® i210IT PCIe GbE controller
I2C	Supports I2C
Audio/ Interface	HD Audio link
Display	
Graphics Chipset	Integrated Intel® Gen 7 Graphics Analog RGB supports by FPC connector (Optional)
Graphics Interface	1 x DDI port 1 x Single Channel 24-bit LVDS port

Mechanical & Environmental

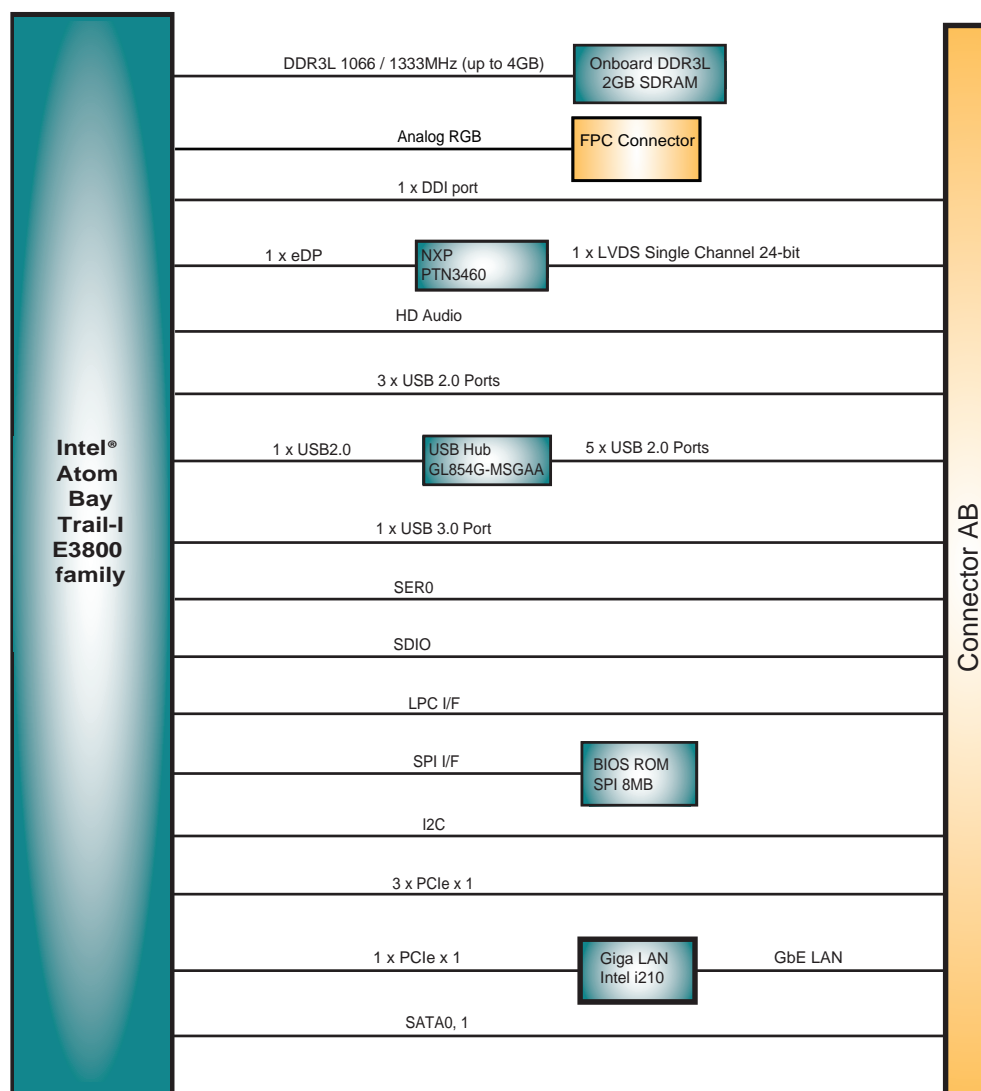
Power Requirement	+12V or +5V (BOM Optional)
Power Consumption	1.05A@+12V with E3825 (Typical)
Operating Temp.	-20 ~ 70°C (-4 ~ 158°F)
Operating Humidity	0 ~ 90% (non-condensing)
Dimensions (L x W)	84 x 55 mm (3.30" x 2.17")

Dimensions





Block Diagram



Ordering Information

EmNANO-i2300-E3825	Intel® Atom™ Processor E3825 COM Express Type 10 CPU module
EmNANO-i2300-E3845	Intel® Atom™ Processor E3845 COM Express Type 10 CPU module
EmNANO-i2300-E3826(BTO)	Intel® Atom™ Processor E3826 COM Express Type 10 CPU module
EmNANO-i2300-E3827(BTO)	Intel® Atom™ Processor E3827 COM Express Type 10 CPU module

Optional Accessories

HS-0660-F2-T	Heat spreader
HS-0660-F2-NT	Heat spreader
PBN-9007	COM Express® Mini evaluation carrier board (EPIC form factor)
CBK-05-9007-00	Cable Kit
	1 x USB cable
	1 x serial port cable
	1 x SATA cable
	1 x SATA power cable
	1 x PS/2 cable