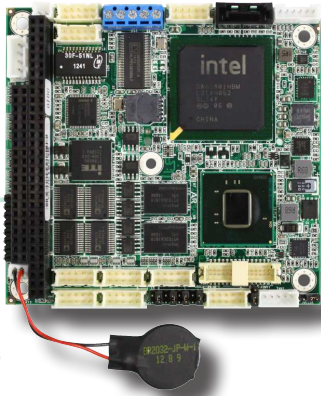


Em104-i290K

Intel® Atom™ Processor N455 PC/104 CPU Module



Features

- **Fanless Design**
- Soldered Onboard Intel® Atom™ Processor N455
- Dual Gigabit Ethernet Ports
- 18-bit LVDS and Analog RGB
- Four Full RS-232/485 Selectable (RS-485 with Auto Flow Control)
- **Extended Operating Temp.: -20 ~ 70°C**

System

CPU	Soldered onboard Intel® Atom™ Processor N455 1.66GHz
Memory	Soldered onboard 1GB DDR3 SDRAM
Chipset	Intel® ICH8M
BIOS	AMI PnP Flash BIOS
Watchdog Timer	1 ~ 255 levels reset

I/O

I/O Chipset	Fintek F81866
Serial Port	4 x RS-232/485 selectable ports (RS-485 with auto flow control)
USB Port	2 x USB 2.0 ports
KB/MS	6-pin wafer connector for keyboard and mouse
Expansion Bus	PC/104 interface
Storage	1 x Serial ATA port with 300MB/s HDD transfer rate
	1 x CompactFlash Type II socket
Ethernet Chipset	2 x Intel® 82583V PCIe GbE controllers

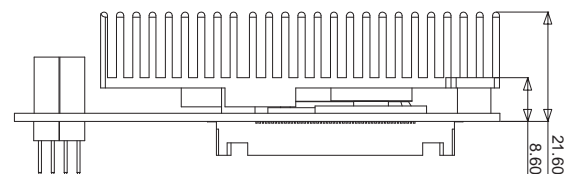
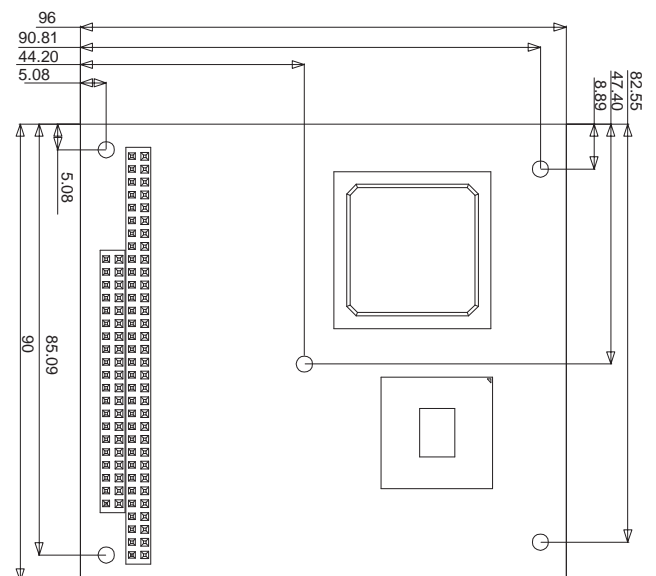
Display

Graphic Chipset	Integrated Intel® Graphics Media Accelerator 3150
Graphic Interface	Analog RGB that supports resolution up to 2048 x 1536
	LCD: Single Channel 18-bit LVDS

Mechanical & Environmental

Power Requirement	+5V (Additional +12V might be required for LCD panel)
Power Consumption	2.4A@+5V (Typical)
	3.28A@+12V (SATA power require for HDD)
Operating Temp.	-20 ~ 70°C (-4 ~ 158°F)
Operating Humidity	10%~95% @ 70°C (non-condensing)
Dimensions (L x W)	95.89 x 90.17 mm (3.775" x 3.549")

Dimensions

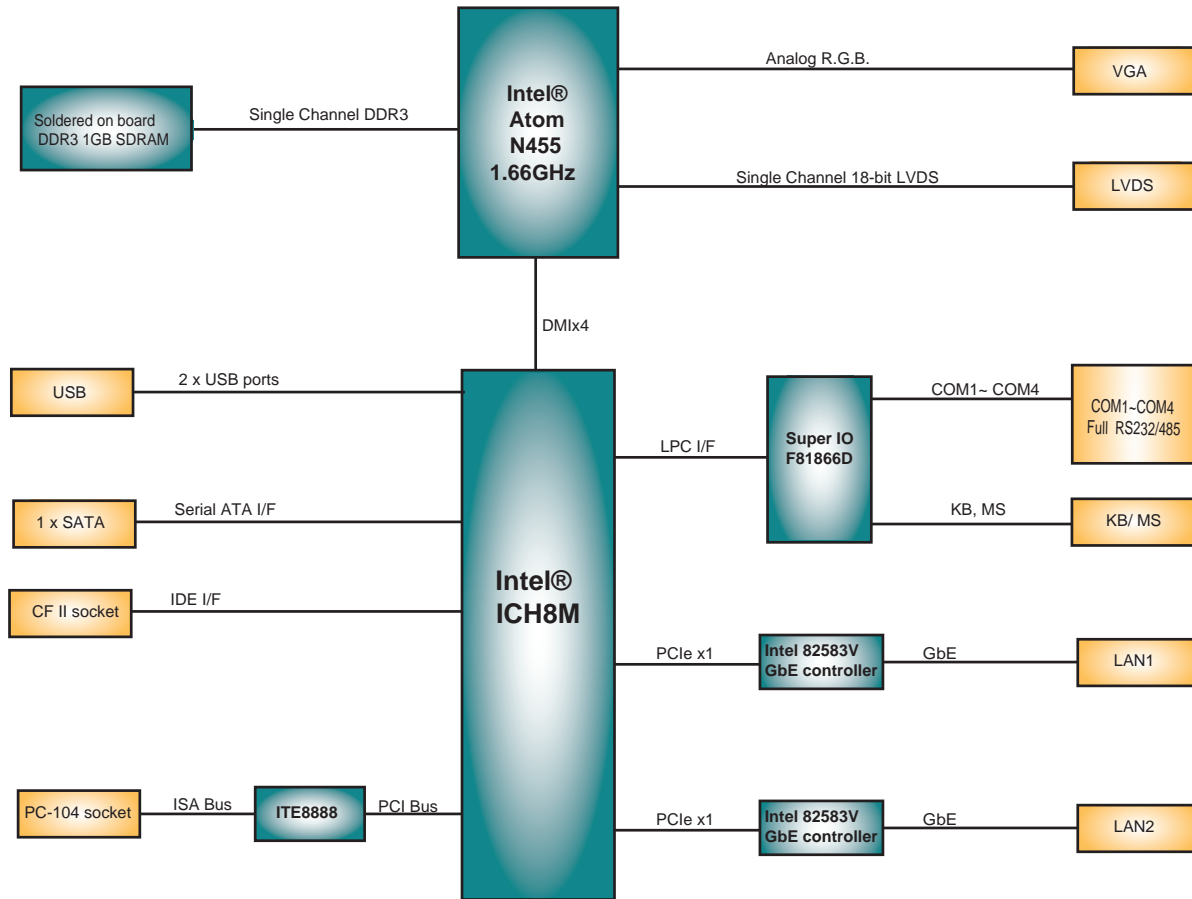


Unit: mm

All specifications are subject to change without notice.



Block Diagram



Ordering Information

Em104-i290K-N4 Intel® Atom™ Processor N455 PC/104 CPU module

Optional Accessories

CBK-11-290K-00	<ul style="list-style-type: none"> Cable kit 1 x SATA cable 1 x SATA Power cable 4 x COM-port cables 1 x KB & MS Y-cable 1 x USB cable 1 x VGA cable 2 x LAN cables
----------------	---