

# EmCORE-i2702

## Intel® Atom™ N270 3.5" Compact Board



### Features

- **Fanless Design**
- Soldered Onboard Intel® Atom™ N270 Processor
- Dual Gigabit Ethernet Ports
- Dual Channels 18-bit LVDS, TV-out, and Analog RGB
- Dual Independent Displays
- Support Optional Onboard Memory

### System

|                       |  |
|-----------------------|--|
| <b>CPU</b>            | Intel® Atom™ N270 1.6GHz processor with 533MHz FSB   |
| <b>Memory</b>         | 1 x 200-pin DDR2 SO-DIMM socket, supporting 533MHz SDRAM up to 2GB (optional soldered onboard 512MB DDR2 SDRAM, upgradable to 1GB SDRAM) |
| <b>Chipset</b>        | Intel® 945GSE + ICH7M  |
| <b>BIOS</b>           | Phoenix-Award PnP Flash BIOS   |
| <b>Watchdog Timer</b> | 1~255 levels reset   |

### I/O

|                         |   |
|-------------------------|---|
| <b>Serial Port</b>      | 2 x COM ports (1 x RS-232, 1 x RS-232/422/485 selectable)   |
| <b>Parallel Port</b>    | SPP/EPP/ECP mode selectable   |
| <b>USB Port</b>         | 4 x USB 2.0 ports   |
| <b>KB/MS</b>            | 6-pin Mini-DIN connector for keyboard and mouse (PS/2 standard via Y-cable)   |
| <b>Digital I/O</b>      | 8-bit Digital Input/Output (4-in/4-out)   |
| <b>Expansion Bus</b>    | 1 x Mini PCI socket   |
| <b>Storage</b>          | 1 x Ultra ATA, supporting 2 IDE devices<br>2 x Serial ATA ports with 150MB/s HDD transfer rate<br>1 x CompactFlash Type II socket |
| <b>Ethernet Chipset</b> | 2 x Realtek RTL8111 PCIe GbE controllers  |
| <b>Audio Interface</b>  | Realtek ALC655 6 Channel AC97 Audio Codec, Mic-in/Line-in/Line-out  |

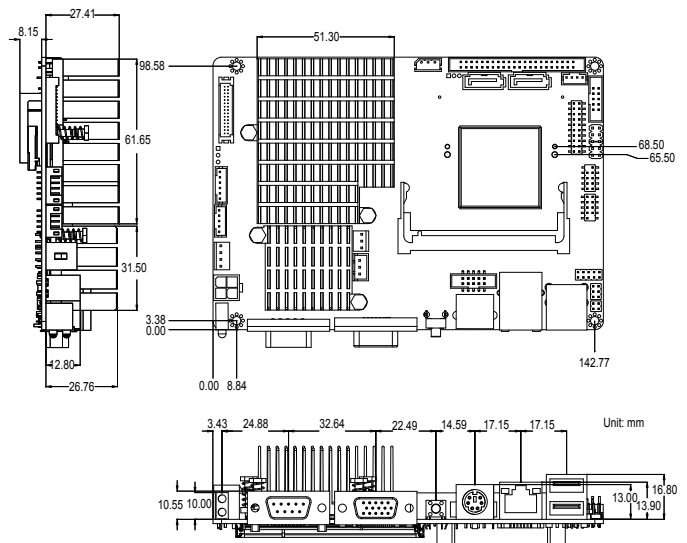
### Display

|                           |  |
|---------------------------|--|
| <b>Graphics Chipset</b>   | Integrated Intel® Graphics Media Accelerator 950   |
| <b>Graphics Interface</b> | Analog RGB: resolution up to 2048 x 1536 @60Hz<br>LCD: Dual Channels 18-bit LVDS, resolution up to 1600 x 1200<br>TV-out: NTSC/PAL, resolution up to 1024 x 768<br>Support Dual Independent Displays |

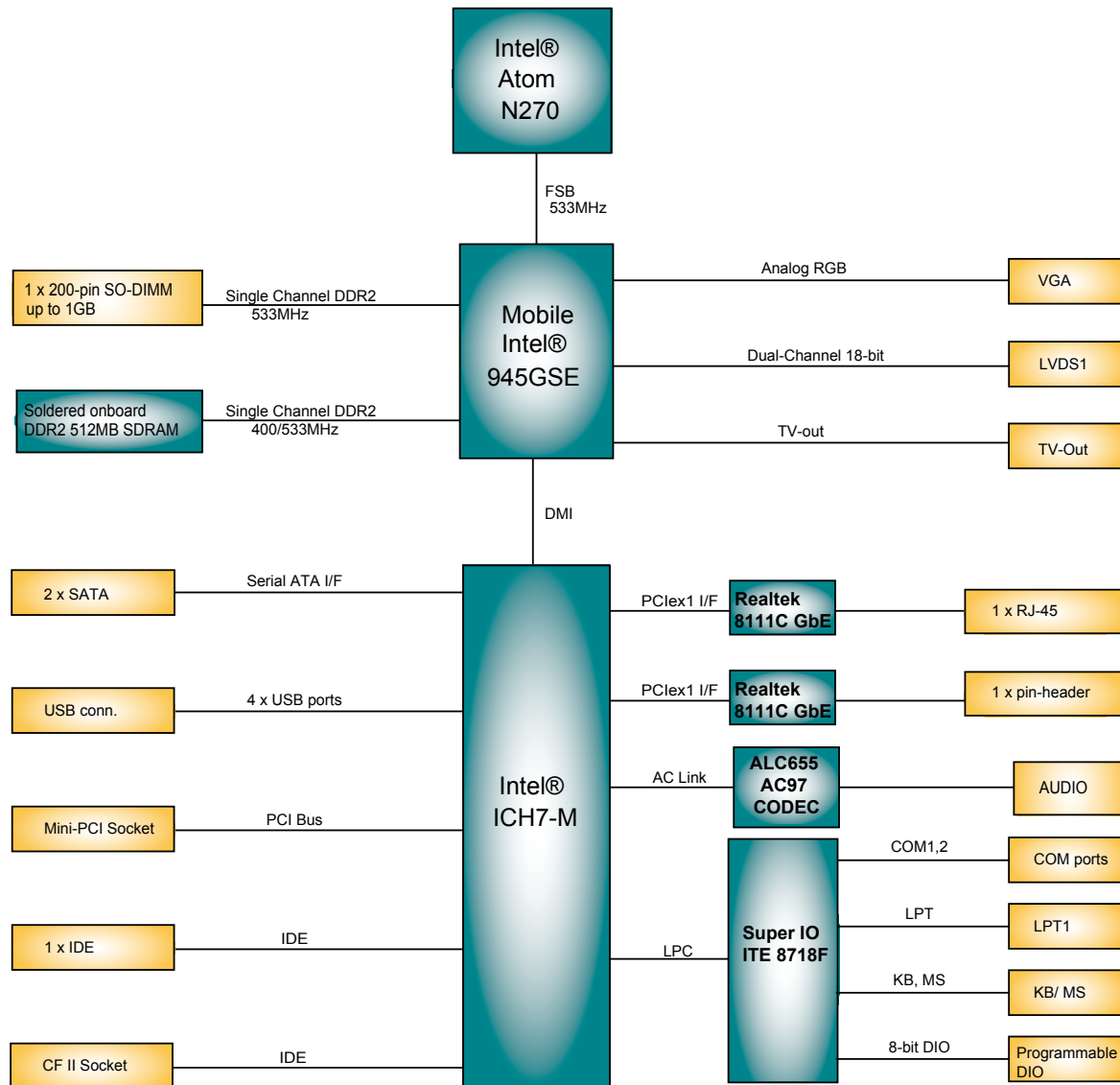
### Mechanical & Environmental

|                           |                                  |
|---------------------------|----------------------------------|
| <b>Power Requirement</b>  | ATX +12V input                   |
| <b>Power Consumption</b>  | 0.94A@+12V (Typical)             |
| <b>Operating Temp.</b>    | 0 ~ 60°C (32 ~ 140°F)            |
| <b>Operating Humidity</b> | 10 ~ 95% @ 60°C (non-condensing) |
| <b>Dimension (L x W)</b>  | 146 x 102 mm (5.7" x 4")         |

### Dimensions



## Block Diagram



## Ordering Information

**EmCORE-i2702** Intel® Atom™ N270 1.6GHz 3.5" Compact Board

## Optional Accessories

**CBK-08-2702-00**

### Cable kit

- 1 x USB cable
- 1 x Ethernet cable
- 1 x audio cable
- 1 x COM cable
- 1 x IDE cable
- 1 x LPT cable
- 1 x KB/MS Y-cable
- 1 x SATA cable