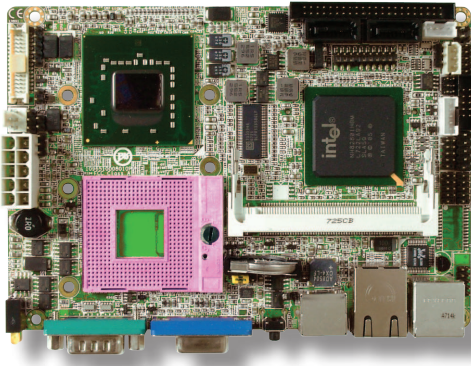


EmCORE-i9651

Intel® Core™ 2 Duo Processor 3.5" Compact Board



Features

- Intel® Socket P Mobile Processor supported
- Dual Gigabit Ethernet Ports
- Dual Channels 18/24-bit LVDS and Analog RGB
- Dual Independent Displays supported
- **Extended Operating Temp.: -20 ~ 70°C**

System

CPU	Intel® Core™ 2 Duo Processor, supporting FSB up to 800MHz Intel® Celeron® M Processor with 533/667MHz FSB
Memory	1 x 200-pin DDR2 SO-DIMM socket, supporting 533/667MHz SDRAM up to 2GB
Chipset	Intel® GME965 + ICH8M
BIOS	AMI PnP Flash BIOS
Watchdog Timer	1~255 levels reset
I/O	
I/O Chip	Winbond W83627HG
Serial Port	2 x COM ports (1 x RS-232, 1 x RS-232/422/485 selectable)
Parallel Port	SPP/EPP/ECP mode selectable
USB Port	6 x USB 2.0 ports
KB/MS	1 x 6-pin Mini-DIN for keyboard and mouse (PS/2 standard via Y-cable)
Digital I/O	8-bit programmable digital input/output
Expansion Bus	1 x Mini PCI socket
Storage	1 x Ultra ATA, supporting 2 IDE devices
	2 x Serial ATA ports with 300MB/s HDD transfer rate
	1 x CompactFlash Type II socket
	1 x Floppy disk drive, shared with parallel port
Ethernet Chipset	2 x Realtek RTL8111 PCIe GbE controllers
Audio	Realtek ALC888 7.1 Channel HD Audio Codec, Mic-in/Line-in/Line-out

Recommended CPU list:
T7500 2.2GHz Core™ 2 Duo Processor
550 2.0GHz Celeron® M Processor

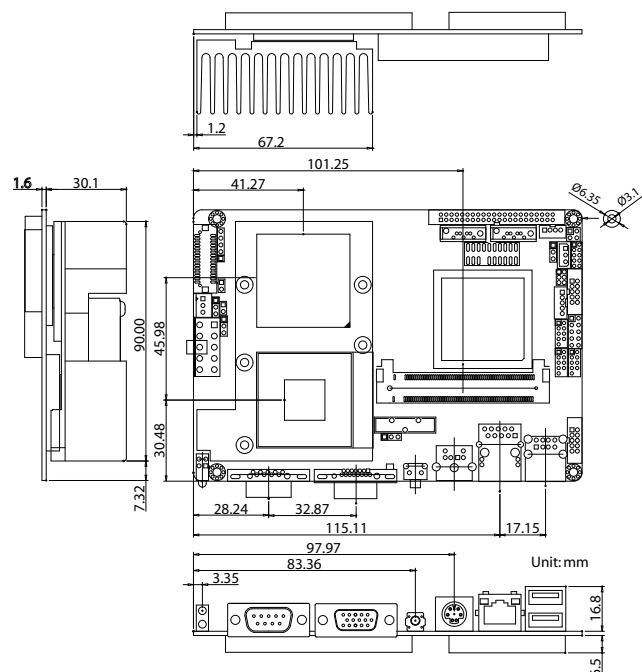
Display

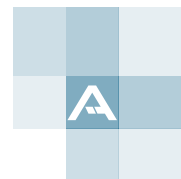
Graphic Chipset	Integrated Intel® Graphics Media Accelerator X3100
	Analog RGB that supports resolution up to 2048 x 1536 @60Hz
Graphic Interface	LCD: Dual Channels 24-bit LVDS Dual independent displays supported

Mechanical & Environmental

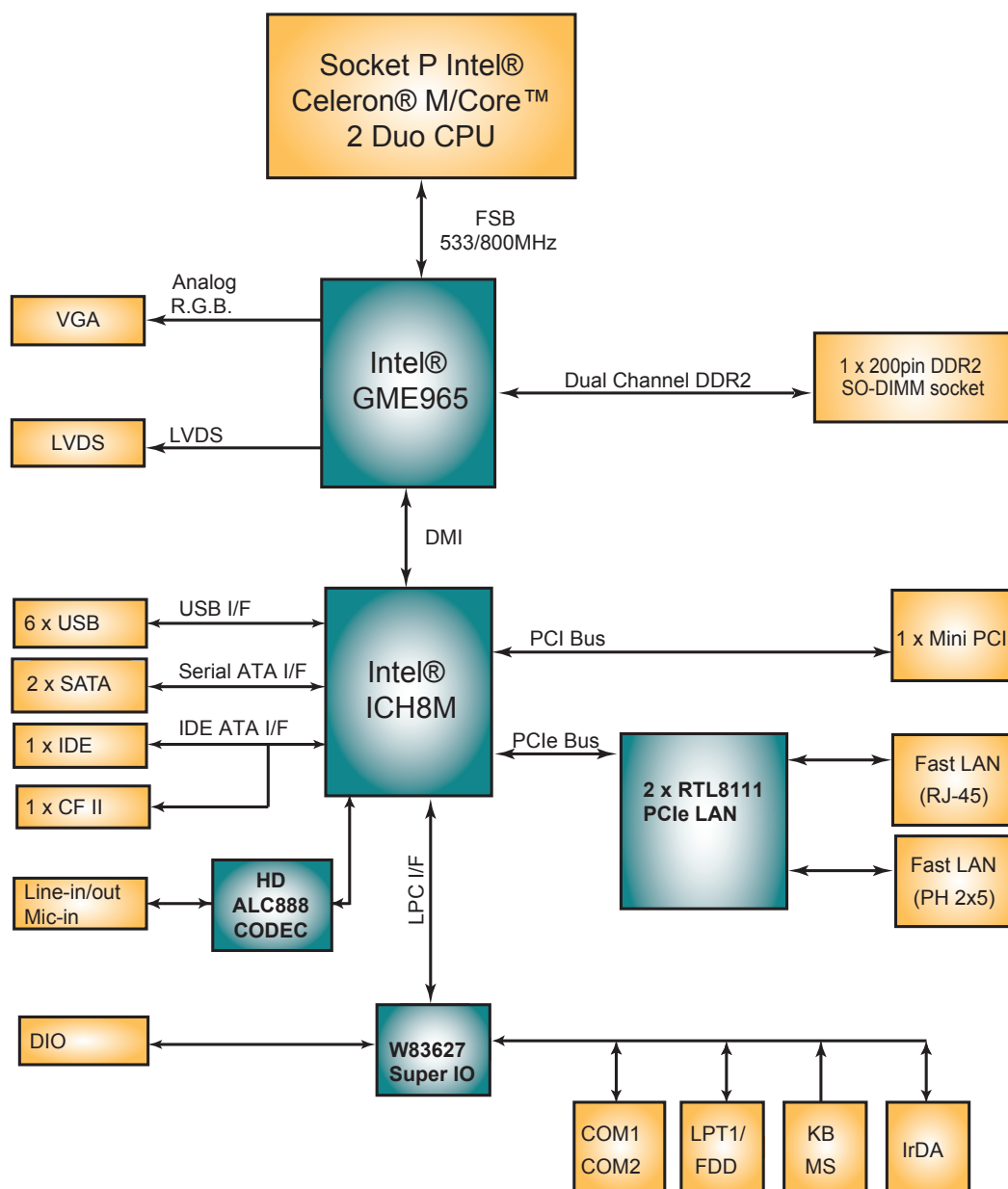
Power Connector	2 x 5-pin ATX power connector
Power Consumption	0.37A@+12V, 6.66A@+5V, 2.37A@+3.3V (Typical)
Operating Temp.	-20 ~ 70°C (-4 ~ 158°F)
Operating Humidity	10 ~ 95% @ 70°C (non-condensing)
Dimensions (L x W)	146 x 102 mm (5.7" x 4")

Dimensions





Block Diagram



Ordering Information

EmCORE-i9651VL2 Socket P Intel® Core™ 2 Duo/ Celeron® M 3.5" Compact Board

Optional Accessories

CBK-09-9651-00	Cable kit 1 x COM-port cable 2 x USB cables 1 x IDE cable 1 x Parallel port cable 2 x SATA cables 1 x Audio cable 1 x LPT-to-FDD cable 1 x Ethernet cable 1 x KB & MS Y-cable
----------------	--