

HiCORE-i35Q

Intel® LGA775 Core™ 2 Quad/Core™ 2 Duo Full-size SBC



Features

- **PICMG 1.0 Specification**
- Support Intel® LGA775 Core™ 2 Quad/Core™ 2 Duo Processor
- Integrated Gigabit Ethernet

System

CPU	Intel® LGA775 Core™ 2 Quad/Core™ 2 Duo processor with 800/1066/1333MHz FSB
Memory	2 x 240-pin DDR2 Long-DIMM sockets, supporting 667/800MHz SDRAM up to 4GB
Chipset	Intel® Q35 + ICH9
BIOS	AMI PnP Flash BIOS
TPM 1.2	Support TPM daughterboard via LPC connector
Watchdog Timer	1~255 levels reset

I/O

Super I/O	ITE- IT8718F
Serial Port	2 x COM ports (1 x RS-232, 1 x RS-232/422/485 selectable)
USB Port	12 x USB 2.0 ports
KB/MS	1 x 6-pin Mini-DIN connector for keyboard and mouse (PS/2 standard via Y-cable)
Digital I/O	8-bit programmable Digital Input/Output, 4-in/4-out
Expansion Bus	16-bit ISA + 32-bit PCI (doesn't support ISA master bus devices) 1 x Ultra ATA, supporting 1 IDE device
Storage	2 x Serial ATA ports with 300MB/s HDD transfer rate 1 x Floppy disk drive
Ethernet Chipset	1 x Realtek 8111 PCIe GbE controller
Audio	One 1x9-pin wafer connector for HD Audio daughterboard

Display

Graphics Chipset	Integrated Intel® Graphics Media Accelerator 3100
Graphics Interface	Analog RGB supports resolution up to 2048 x 1536 @75Hz

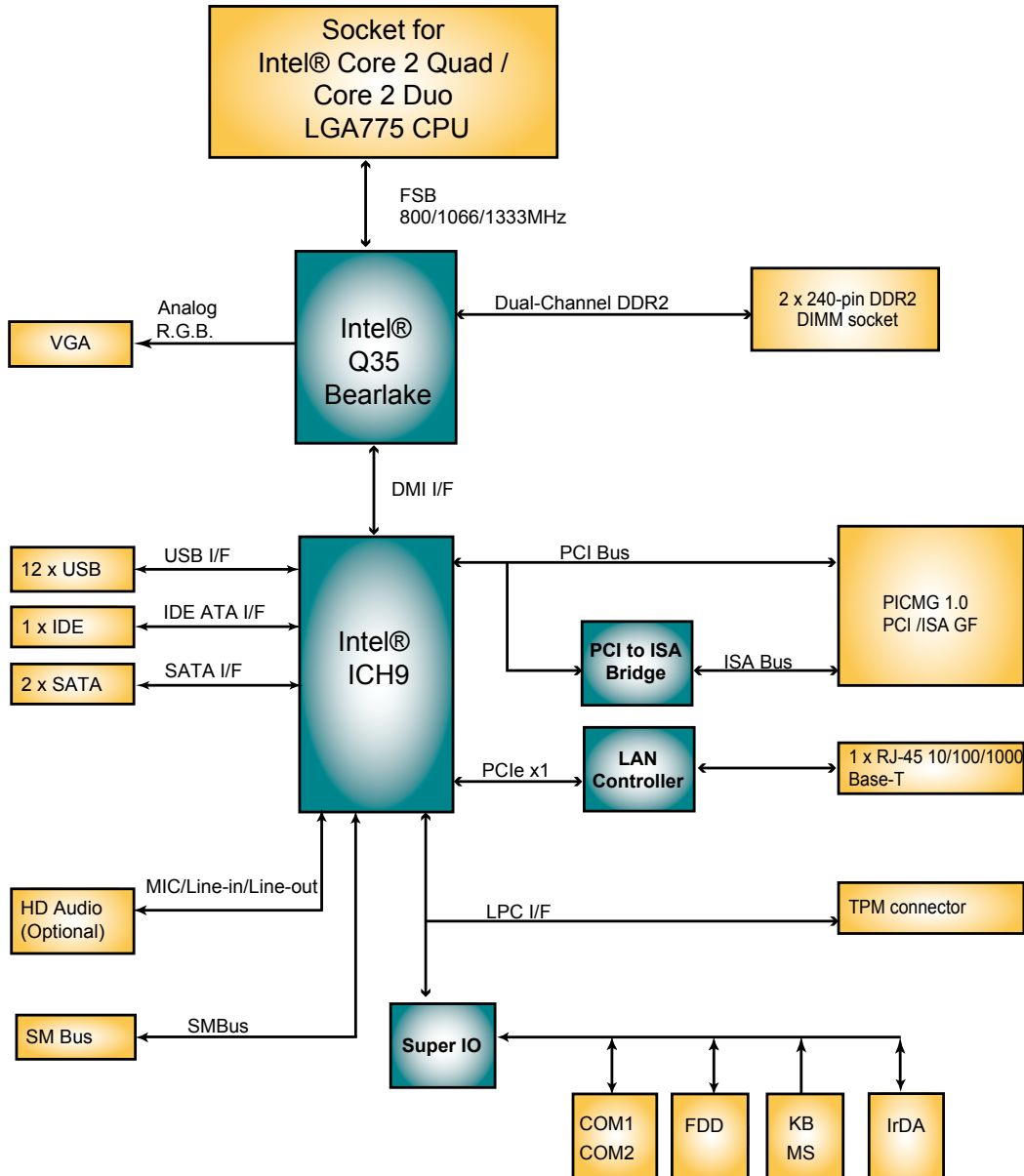
Mechanical & Environmental

Power Connector	ATX +12V input
Power Consumption	3.74A@+5V, 5.13A@+12V with Core™ 2 Quad Q6600 2.40GHz (Typical)
Operating Temp.	0 ~ 60°C (32 ~ 140°F)
Operating Humidity	10 ~ 95% @ 60°C (non-condensing)
Dimensions (L x W)	338 x 122 mm (13.3" x 4.8")

Recommended CPU List:

Q9460 2.66GHz Core™ 2 Quad Processor
E8400 3GHz Core™ 2 Duo Processor
E7400 2.8GHz Core™ 2 Duo Processor
E6400 2.13GHz Core™ 2 Duo Processor
E4300 1.8GHz Core™ 2 Duo Processor
E2160 1.8GHz Pentium® Dual Core Processor
440 2.0GHz Celeron® Processor

Block Diagram



Ordering Information

HiCORE-i35Q

Socket LGA775 Intel® Core™ 2 Quad/Core™ 2 Duo full-size SBC

Optional Accessories

FCDB-1111

Realtek ALC888 HD Audio daughterboard

Page 130

PICMG 1.0 Passive Backplane Series

Page 136-137