

# HiCORE-i67Q1/ i67Q2

2<sup>nd</sup>/3<sup>rd</sup> Generation Intel® Core™ Processor Full-size SBC



## Features

- **PICMG 1.3 System Host Board (SHB Express)**
- 2<sup>nd</sup>/3<sup>rd</sup> Generation Intel® Core™ Processor supported
- RAID 0, 1, 5, 10 supported
- Intel® Rapid Storage Technology supported
- Integrated Gigabit Ethernet

## System

CPU	2 <sup>nd</sup> /3 <sup>rd</sup> Generation Intel® Core™ i7/i5/i3/Pentium®/ Celeron® Processor in LGA1155 socket
Memory	2 x 240-pin DDR3 Long-DIMM sockets, supporting 1066/1333MHz SDRAM up to 8GB
Chipset	Intel® PCH Q67
BIOS	AMI PnP Flash BIOS
Watchdog Timer	1~255 levels reset

## I/O

Super I/O	Fintek F71869ED
Serial Port	2 x COM ports (1 x RS-232, 1 x RS-232/422/485 selectable)
Parallel Port	SPP/EPP/ECP mode selectable
USB Port	14 x USB 2.0 ports (10 ports on CPU board, 4 ports through gold finger to backplane)
KB/MS	1 x 6-pin Mini-DIN connector for keyboard and mouse (PS/2 standard via Y-cable)
Digital I/O	8-bit programmable digital input/output

Expansion Bus	4 x PCI Masters
	1 x PCIe x16 lanes
	1 x PCIe x4 lane (HiCORE-i67Q1) 4 x PCIe x1 lanes (HiCORE-i67Q2)

Storage	2 x Serial ATA ports with 600MB/s HDD transfer rate
	4 x Serial ATA ports with 300MB/s HDD transfer rate RAID 0, 1, 5, 10 supported

Ethernet Chipset	2 x Intel® 82583V PCIe GbE controllers
Audio	Realtek ALC886 HD Audio CODEC, Line-in/ Line-out/ MIC via Audio cable

Recommended CPU List:  
3<sup>rd</sup> Generation Intel® Core™  
i7-3770 quad-core 3.4GHz  
i5-3550S quad-core 3.0GHz  
i3-3220 dual-core 3.3GHz  
Intel® Pentium® Processor G2120  
dual-core 3.1GHz

2<sup>nd</sup> Generation Intel® Core™  
i7-2600 quad-core 3.4GHz  
i5-2400 quad-core 3.1GHz  
i3-2120 dual-core 3.3GHz  
Intel® Pentium® Processor G850 dual-core 2.9GHz  
Intel® Celeron® Processor G540 dual-core 2.5GHz

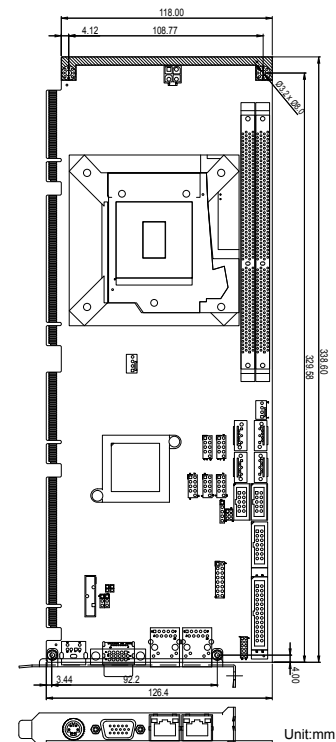
## Display

Graphic Chipset	Integrated Intel® HD Graphics 200
Graphic Interface	Analog RGB that supports resolution up to 2048 x 1536 @75Hz

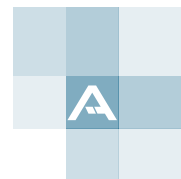
## Mechanical & Environmental

Power Connector	ATX +12V input
Power Consumption	6.75A@+12V, 1.72A@+4.94V, 1.27A@+3.3V with Intel® i7-2600 (Typical)
Operating Temp.	0 ~ 60°C (32 ~ 140°F)
Operating Humidity	10 ~ 95% @ 60°C (non-condensing)
Dimensions (L x W)	338 x 126 mm (13.3" x 4.96")

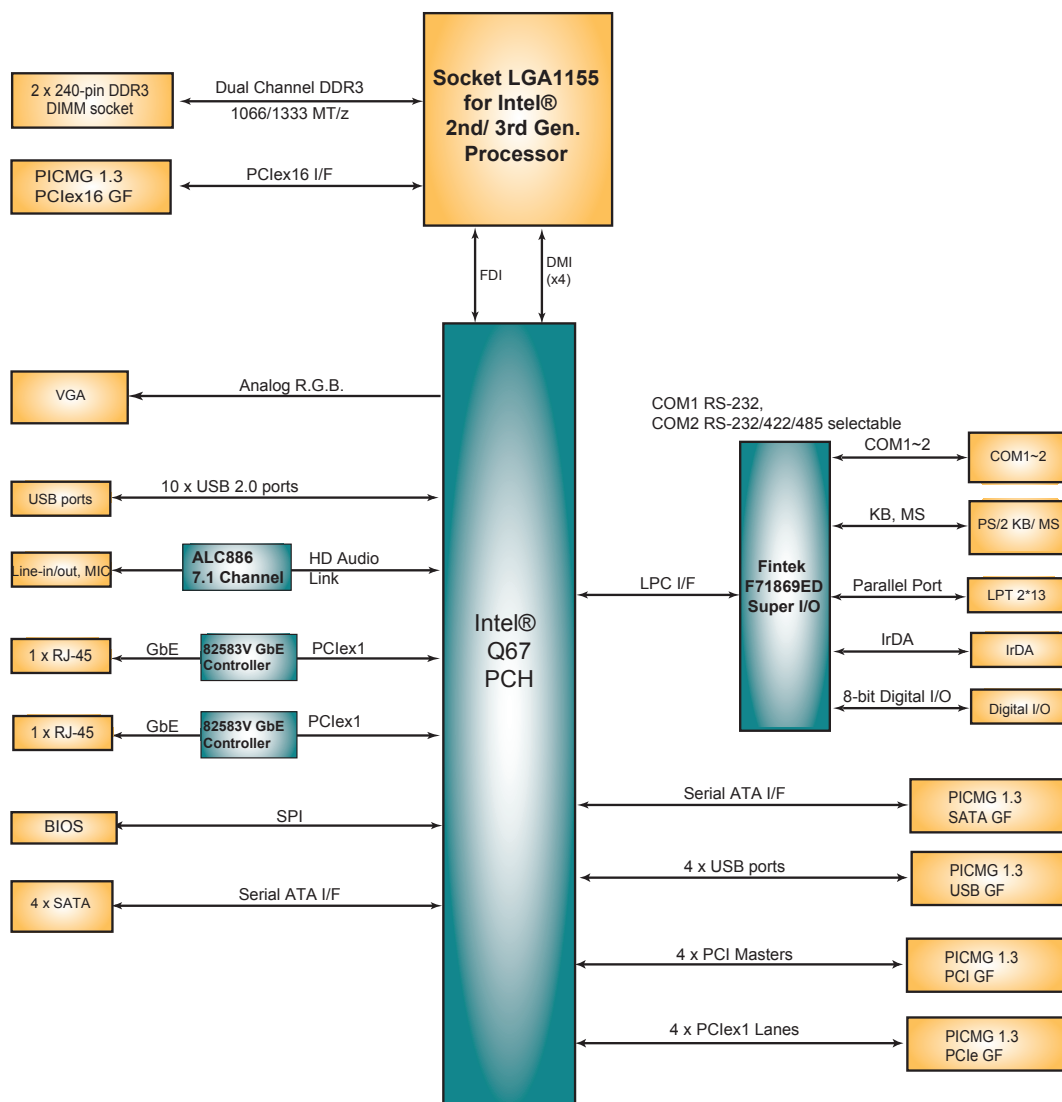
## Dimensions



All specifications are subject to change without notice.



## Block Diagram



## Ordering Information

HiCORE-i67Q1	Socket LGA1155 for 2 <sup>nd</sup> /3 <sup>rd</sup> Generation Intel® Core™ Processor full-size SBC with BIOS for 1 x PCIe x4
HiCORE-i67Q2	Socket LGA1155 for 2 <sup>nd</sup> /3 <sup>rd</sup> Generation Intel® Core™ Processor full-size SBC with BIOS for 4 x PCIe x1

## Optional Accessories

HS-67Q1-C1	Aluminium CPU cooler for Pentium® G850
HS-67Q1-C2	Copper CPU cooler for Core-i series
PBPE-10SA (BTO)	10 slots PICMG 1.3 backplane
PBPE-13SA	13 slots PICMG 1.3 backplane