

ITX-i2701

Intel® Atom™ N270 Embedded Mini-ITX Motherboard



Features

- **Fanless Design**
- Ultra Low Profile (16.8 mm Height)
- Soldered Onboard Intel® Atom™ N270 Processor
- Dual Gigabit Ethernet Ports
- Soldered Onboard 4GB NANDrive (only for ITX-i2701D)
- Soldered Onboard Touch Screen Controller
- Support Analog RGB, Dual Channels 18-bit LVDS
- Support Dual Independent Displays
- Single DC12V Power Input
- **Extended Operating Temp.: -20 ~ 70°C**

System

CPU	Soldered onboard Intel® Atom™ N270 1.6GHz processor with 533MHz FSB
Memory	Soldered onboard 1GB DDR2 533MHz SDRAM
Chipset	Intel® 945GSE + ICH7M
BIOS	Phoenix-Award Flash BIOS
Watchdog Timer	1~255 levels reset

I/O

I/O Chipset	F81216AD + W83627HG
Serial Port	4 x RS-232 ports 2 x RS-232/422/485 selectable ports
Parallel Port	SPP/EPP/ECP mode selectable
USB Port	6 x USB 2.0 ports
KB/MS	One 1x6-pin wafer connector for PS/2 keyboard and mouse
Digital I/O	8-bit programmable Digital Input/Output
Expansion Bus	1 x PCI slot 1 x Mini-card socket
Storage	1 x Ultra ATA 100 port 2 x Serial ATA ports with 150MB/s HDD transfer rate
NANDrive	Soldered onboard 4GB NANDrive (only for ITX-i2701D)
Ethernet Chipset	2 x Realtek RTL8111 PCIe GbE controllers
Audio Interface	Realtek ALC888 HD Audio Codec, supporting Mic-in/Line-in/Line-out One 1x9-pin wafer connector for extended Audio board via AC97 interface

Display

Graphics Chipset	Integrated Intel® Graphics Media Accelerator 950
Graphics Interface	Analog RGB supports resolution up to 2048 x 1536 LCD supports Dual Channels 18-bit LVDS, resolution up to 1280 x 800
Expansion Interface	SDVO: 1 x Intel® compliant SDVO B port, supporting external DVI, TV-out and LVDS transmitter (via daughterboard)

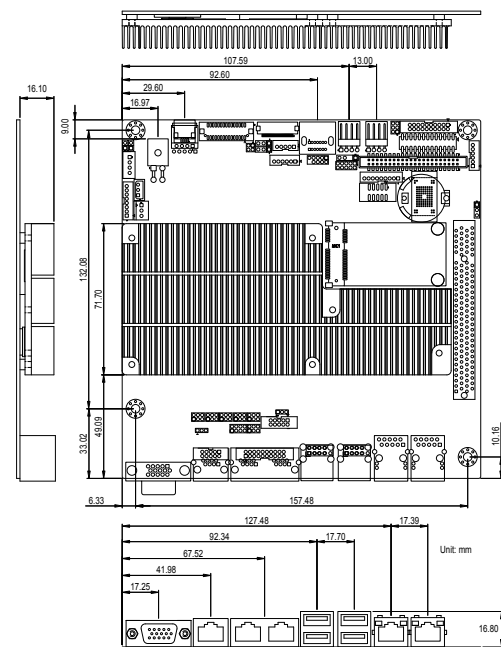
Touch Screen Interface

Mode	4-pin FPC for 4 wire 4-pin header for 4 wire 5-pin header for 5 wire
-------------	--

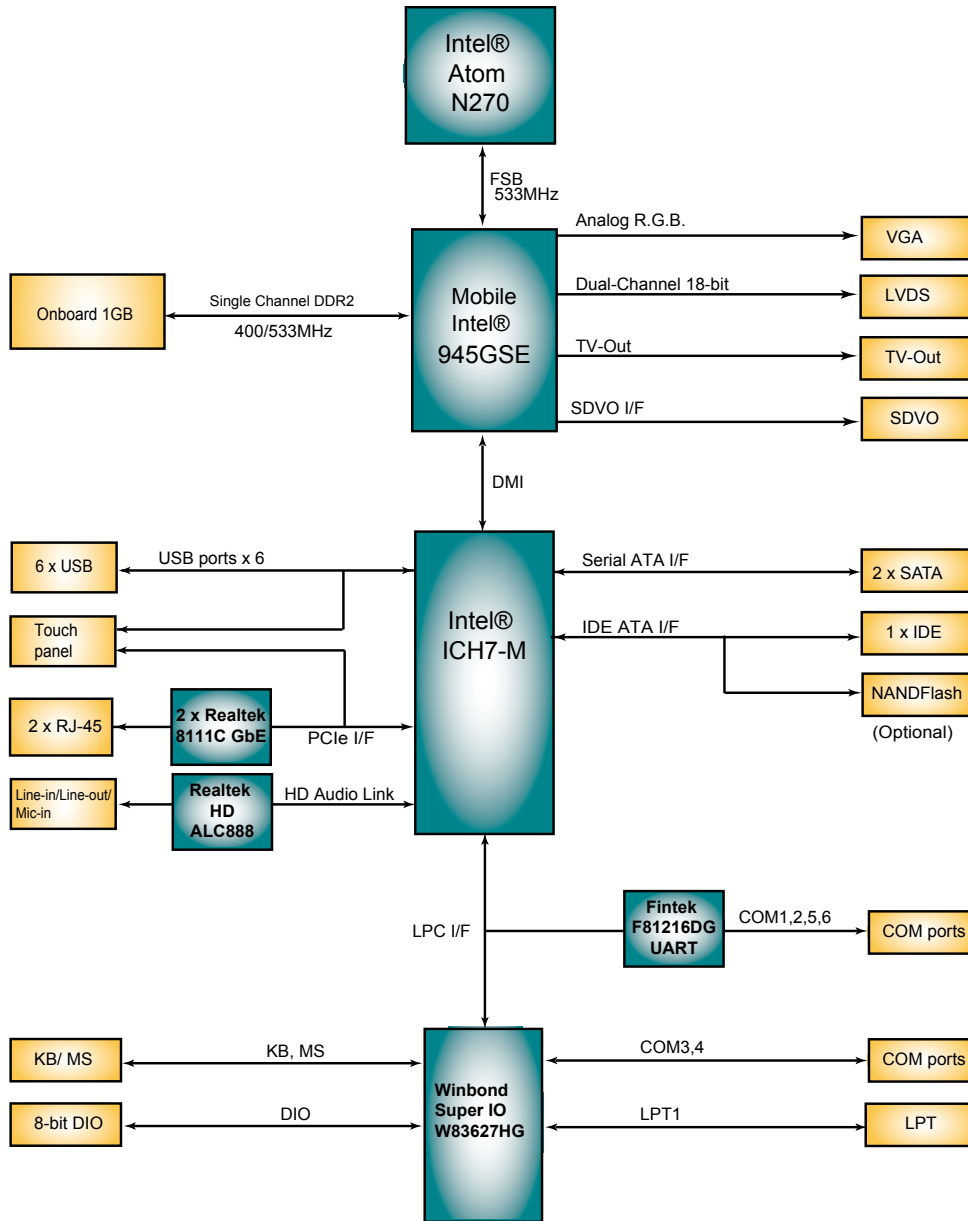
Mechanical & Environmental

Power Requirement	+12V input
Power Consumption	1.25A@+11.7V (Typical)
Operating Temp.	-20 ~ 70°C (-4 ~ 158°F)
Operating Humidity	10 ~ 95% @ 70°C (non-condensing)
Dimension (L x W)	170 x 170 mm (6.7" x 6.7")

Dimensions



Block Diagram



Ordering Information

ITX-i2701	Intel® Atom™ N270 embedded Mini-ITX motherboard
ITX-i2701D	ITX-i2701 with 4GB NANDrive

Optional Accessories

CBK-13-2701-00	<p>Cable kit</p> <ul style="list-style-type: none"> • 1 x USB cable • 1 x TV-out cable • 1 x audio cable • 1 x One port COM cable • 1 x Two ports COM cable • 3 x COM port RJ-45 cables • 1 x IDE cable • 1 x LPT cable • 1 x KB & MS Y-cable • 1 x SATA cable
-----------------------	--