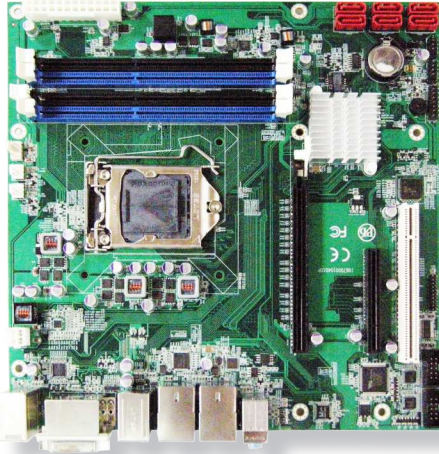


MB-i87Q0

4th Generation Intel® Core™ Processor Embedded Micro-ATX Motherboard



System

CPU	4 th Generation Intel® Core™ i7/i5/i3 and Pentium® / Celeron® Processor in LGA1150 socket
Memory	4 x DDR3 Long-DIMM sockets, supporting 1600MT/s SDRAM up to 32GB
Chipset	Intel® Q87 PCH
BIOS	AMI UEFI BIOS
Watchdog Timer	1~255 levels reset
I/O	
Super IO Chipset	Fintek F71869ED
USB Port	10 x USB 2.0 ports, 4 x USB 2.0/3.0 ports
KB/MS	1 x 6-pin mini-DIN connector for PS/2 keyboard, and mouse via Y-cable
Serial Port	2 x COM ports (RS-232/422/485 selectable)
Digital I/O	16-bit digital input/output, 8-in/8-out
Expansion Bus	1 x PCIe x16 slot 1 x PCIe x4 in x8 slot 1 x PCI slot
Storage	6 x Serial ATA ports with 600MB/s HDD transfer rate RAID 0, 1, 5, 10 supported
Ethernet Chipset	1 x Intel® PCIe i217LM GbE PHY (iAMT supported) 1 x Intel® PCIe i210AT GbE controller
Audio	Realtek ALC662 HD Audio CODEC, Mic-in / Line-out

Recommended CPU List:

Intel® Core™ i7-4770S quad-core 3.1GHz / i7-4790S quad-core 3.2GHz
 Intel® Core™ i7-4770TE quad-core 2.3GHz
 Intel® Core™ i5-4570S quad-core 2.9GHz / i5-4590S quad-core 3.0GHz
 Intel® Core™ i5-4570TE dual-core 2.7GHz
 Intel® Core™ i3-4330 dual-core 3.6GHz / i3-4350T dual-core 3.1GHz
 Intel® Core™ i3-4330TE dual-core 2.4GHz
 Intel® Pentium® Processor G3420 dual-core 3.2GHz
 Intel® Pentium® Processor G3320TE dual-core 2.3GHz
 Intel® Celeron® Processor G1820 dual-core 2.7GHz
 Intel® Celeron® Processor G1820TE dual-core 2.2GHz

Features

- 4th Generation Intel® Core™ Processor supported
- Dual Gigabit Ethernet Ports
- DVI-I and DisplayPort supported
- RS-485 Auto-flow Control supported
- Intel® AMT supported
- RAID 0, 1, 5, 10 supported
- USB 3.0 supported

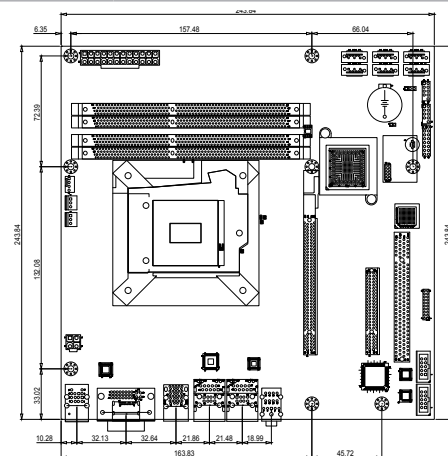
Display

Graphic Chipset	Integrated Intel® HD Graphics
Graphic Interface	1 x DVI-I connector 1 x DisplayPort 1.2a

Mechanical & Environmental

Power Requirement	1 x 24-pin ATX power connector 1 x 4-pin 12V ATX power connector 4.67A@+12V (Typical)
Power Consumption	0.61A@+3.3V (Typical) 0.25A@+5V (Typical)
Operating Temp.	0 ~ 60°C (32 ~ 142°F)
Operating Humidity	10 ~ 95% @ 60°C (non-condensing)
Dimensions (L x W)	244 x 244 mm (9.6" x 9.6")

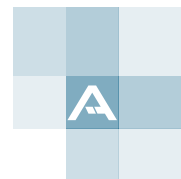
Dimensions



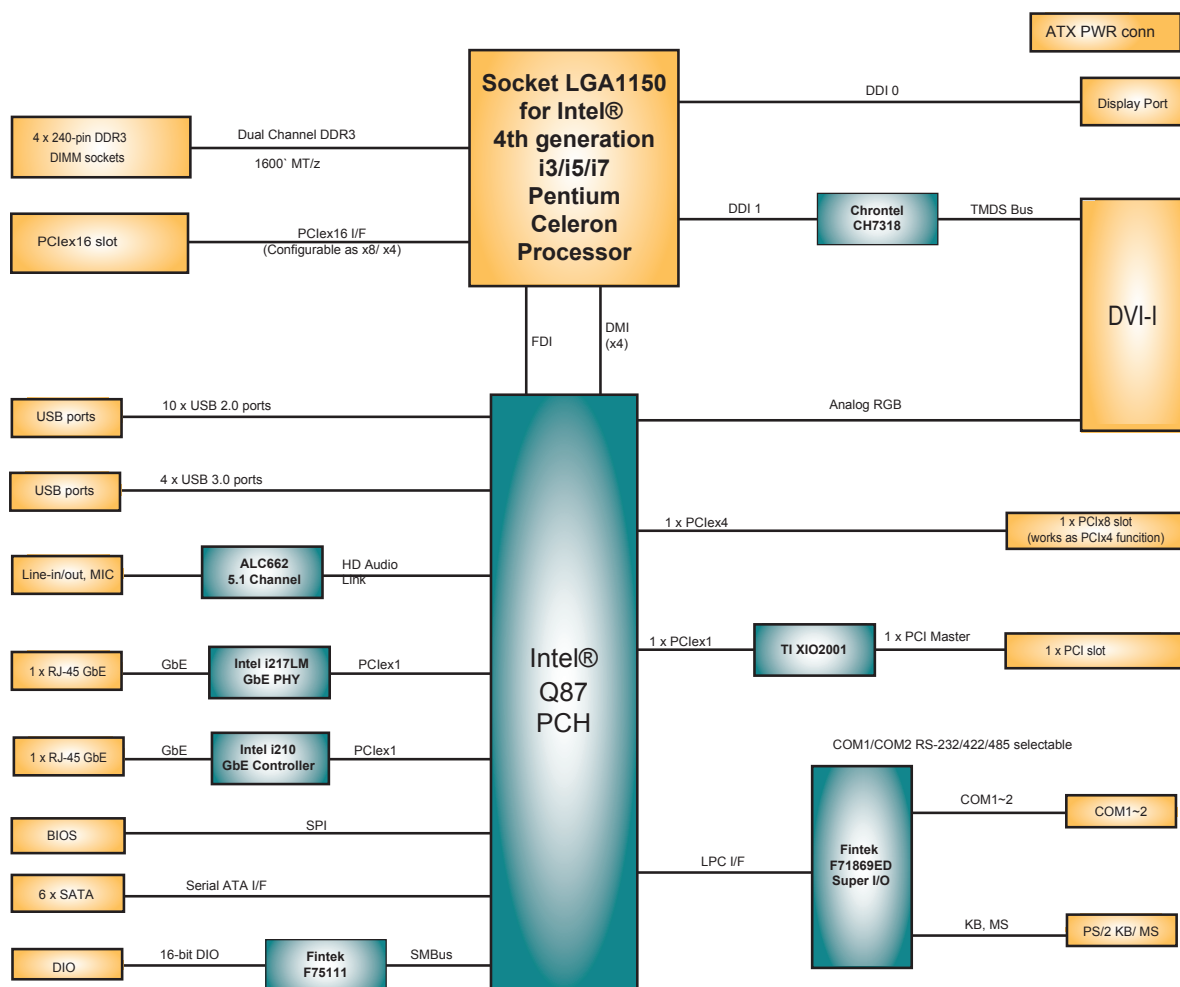
Unit: mm

Unit: mm

All specifications are subject to change without notice.



Block Diagram



Ordering Information

MB-i87Q0 4th Generation Intel® Core™ Embedded Micro-ATX Motherboard

Optional Accessories

CPF-67Q0-C1 CPU Cooling Fan for LGA1150/ 1155/ 1156 CPU

CBK-10-87Q0-00 Cable kit
 1 x Two-port COM cable
 2 x USB cables
 6 x SATA cables
 1 x PS/2 Y-cable