

MB-i57Q3

Intel® LGA1156 Socket Embedded Micro-ATX Motherboard



Features

- Support Intel® LGA1156 Desktop Processors
- Highly Integrated Video Function
- Support Dual Independent Displays
- Dual Gigabit Ethernet Ports
- Support Intel® AMT 6.0
- Support RAID 0, 1, 5, 10
- Support Intel® Rapid Storage Technology

System

CPU	Support 1 st Gen. Intel® Core™ i7/i5/i3/Pentium® Dual Core processors with 1066/1333 MT/s in LGA1156 socket
Memory	4 x 240-pin DDR3 DIMM Sockets, supporting 1066/1333MHz SDRAM up to 16GB
Chipset	Intel® Q57
BIOS	AMI BIOS

I/O

I/O Chip	Fintek F71869ED + Fintek F81216
Serial Port	5 x RS-232 ports 1 x RS-232/422/485 selectable port
Parallel Port	1 x LPT port, supporting SPP/EPP/ECP mode selectable
Floppy	1 x Floppy disk port
USB Port	12 x USB 2.0 ports
KB/MS	2 x individual PS/2 connectors for Keyboard and Mouse 1 x PCIe x16 slot
Expansion Bus	1 x PCIe x4 interface in x8 slot 2 x PCI slots 6 x Serial ATA ports with 300MB/s HDD transfer rate
Storage	Support Intel® Rapid Storage Technology Support RAID 0, 1, 5, 10
Ethernet Chipset	1 x Intel® 82583V PCIe Gigabit Ethernet controller 1 x Intel® 82578 PCIe Gigabit Ethernet PHY w/ iAMT
Audio Interface	Realtek ALC888-VC2 HD Audio Codec, Mic-in/Line-in/Line-out

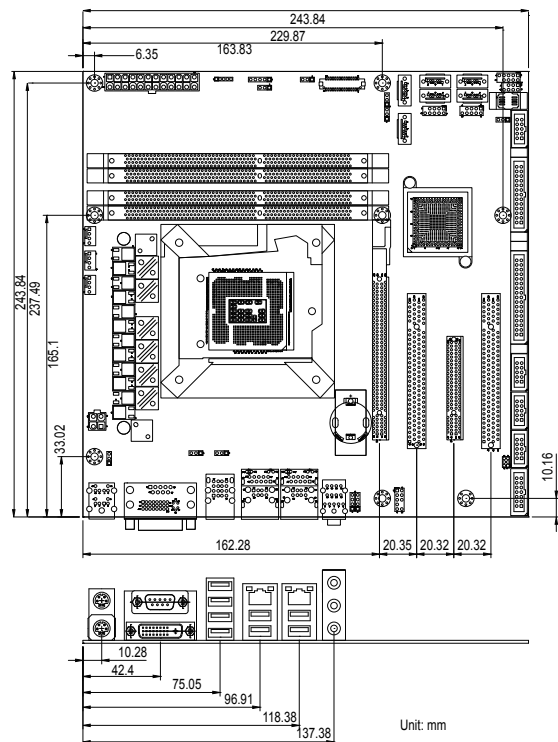
Display

Graphics Chipset	Integrated Intel® HD Graphics 1 x DVI-I connector, supporting either Analog RGB or DVI, resolution up to 2048 x 1536 for Analog RGB and 1920 x 1200 for TMDS
Graphics Interface	Optional Dual Channels 24-bit LVDS up to 1600 x 1200 resolution (circuit space reserved)

Mechanical & Environmental

Power Requirement	24-pin + 4-pin ATX connector
Power Consumption	1.92A@+11.9V; 4.98A@+5V; 1.36A@+3.3V w/ Intel® Core™ i5-660 3.33GHz (Typical)
Operating Temp.	0 ~ 60°C (-32 ~ 140°F)
Operating Humidity	0 ~ 95% (non-condensing)
Dimensions (L x W)	244 x 244 mm (9.6" x 9.6")

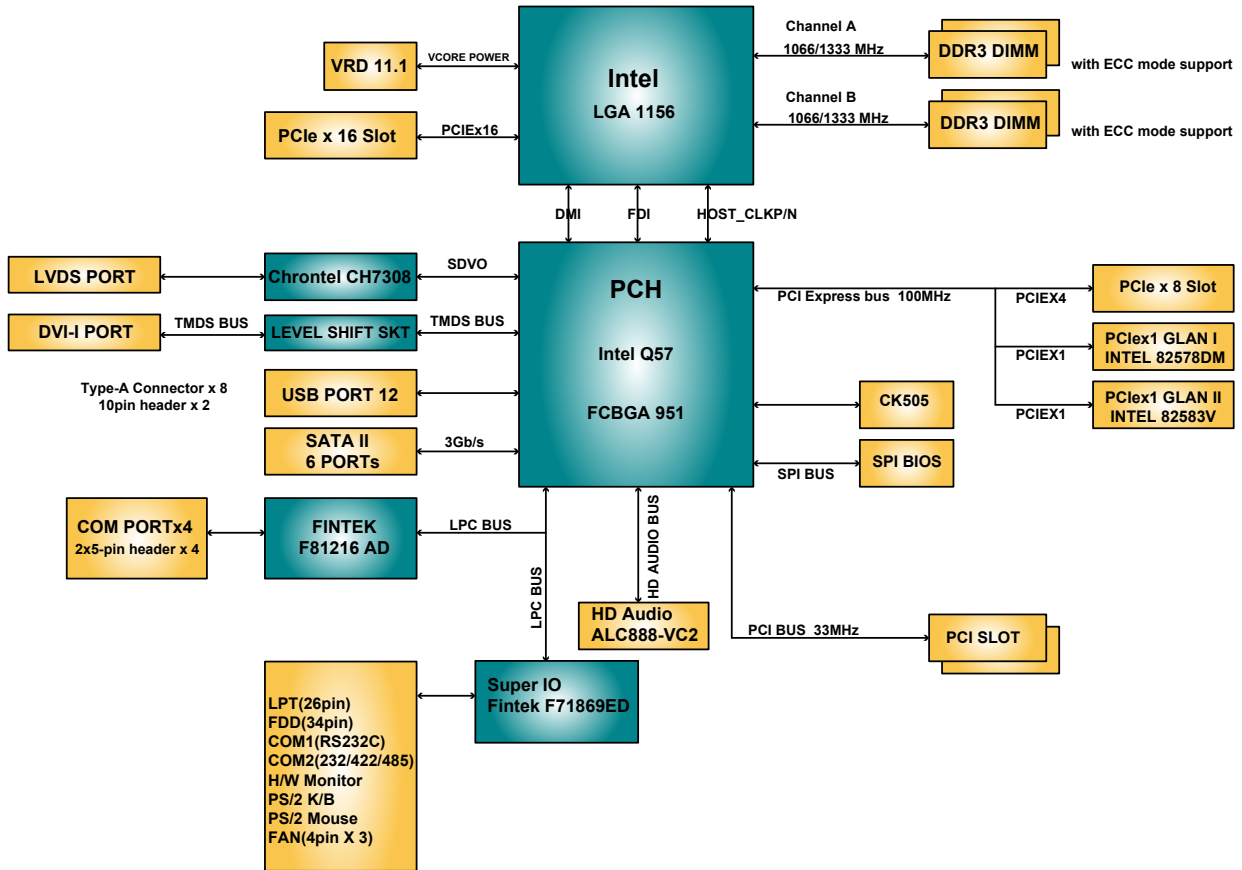
Dimensions



Recommended CPU List:

- i7-860 2.8GHz Core™ Processor
- i5-750 2.66GHz Core™ Processor
- i5-660 3.33GHz Core™ Processor
- i3-540 3.06GHz Core™ Processor
- G6950 2.8GHz Pentium® Dual Core Processor

Block Diagram



Ordering Information

MB-i57Q3	Intel® LGA1156 socket Core™ i7/i5/i3/Pentium® embedded Micro-ATX motherboard
CPF-67Q0-C1	CPU Cooling Fan for LGA1155/1156 CPU
CBK-14-57Q3-00	Cable kit 2 X COM Flat cables 1 X LPT cable 1 X FDD cable 2 X USB cables 6 X SATA cables 2 X Two ports COM cables