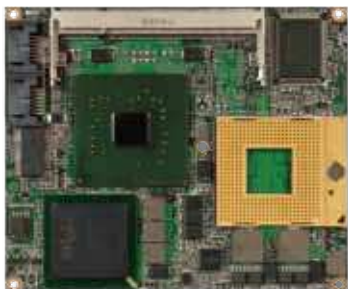


EmETX-i945M

ETX

Intel® Core™ 2 Duo ETX CPU Module



Features

- **Fanless Design**
- ETX 3.0 w/ SATA Connectors
- Support Intel® Socket M Mobile Processors
- Dual Channels 24-bit LVDS, and Analog RGB
- **Extended Operating Temp.: -20 ~ 70°C**

System

Processor	Intel® Core™ 2 Duo/Core™ Duo/Celeron® M CPU with FSB up to 667MHz
Memory	1 x 200-pin DDR2 SO-DIMM socket, supporting 400/533/667MHz SDRAM up to 2GB
Chipset	Intel® 945GME + ICH7M
BIOS	Phoenix-Award PnP Flash BIOS
Watchdog Timer	1~255 levels reset

I/O

I/O Chip	Winbond W83627HG
Serial Port	2 x COM ports
Parallel Port	SPP/EPP/ECP mode selectable
USB Port	4 x USB 2.0 ports
KB/MS	PS/2 interface for keyboard and mouse
Expansion Bus	PCI (4 x PCI masters) and ISA bus
Storage	1 x Ultra ATA ports, supporting 2 IDE devices 2 x Serial ATA ports with 150MB/s HDD transfer rate
Ethernet Chipset	1 x Realtek RTL8103EL PCIe 10/100Base-T Ethernet controller
Audio Interface	Realtek ALC655 6 Channel AC97 Audio Codec, Mic-in/ Line-in/ Line-out

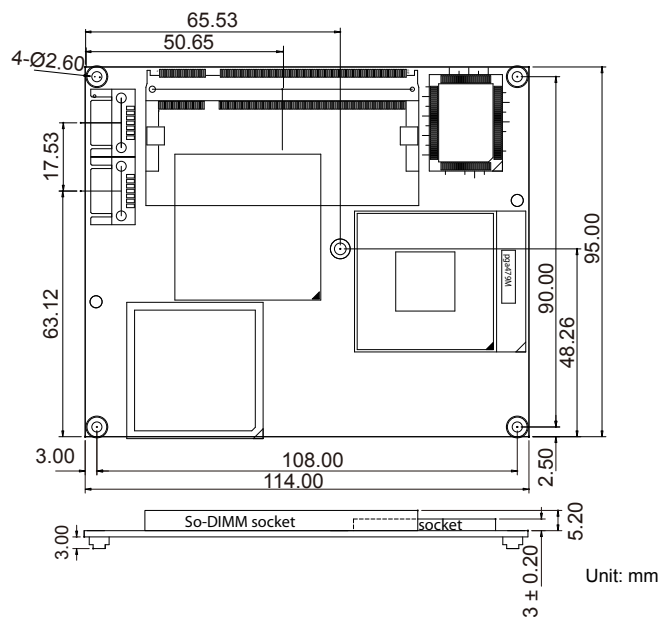
Display

Graphics Chipset	Integrated Intel® Graphics Media Accelerator 950
Graphics Interface	Analog RGB supports resolution up to 2048 x 1536 @60Hz LCD: Dual Channels 24-bit LVDS Support Dual Independent Displays TV-out supports NTSC/PAL

Mechanical & Environmental

Power Requirement	+5V, 5VSB
Power Consumption	7.14A@+5V with Intel® Core™ Duo T2400 1.83GHz (Typical)
Operating Temp.	-20 ~ 70°C (-4 ~ 158°F)
Operating Humidity	10 ~ 95% @ 70°C (non-condensing)
Dimension (L x W)	114 x 95 mm (4.5" x 3.7")

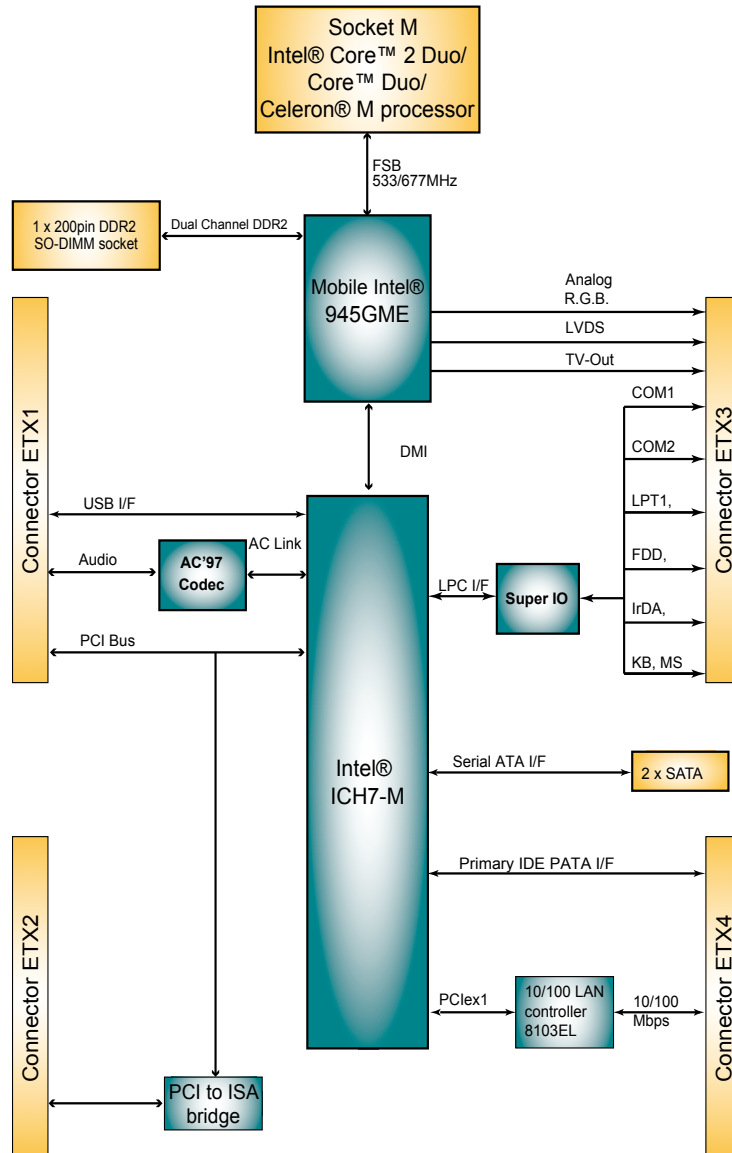
Dimensions



Recommended CPU List:

T7400 2.16GHz Core™ 2 Duo Processor	530 1.73GHz Celeron® Processor
T2500 2.0GHz Core™ 2 Duo Processor	440 1.86GHz Celeron® M Processor

Block Diagram



Ordering Information

EmETX-i945M Socket M Intel® Core™ 2 Duo/Core™ Duo/Celeron® M ETX CPU module

Optional Accessories

HS-0945-C1 Heatsink with fan for PGA CPU type (114 x 95.2 x 22.7 mm)

HS-9102-C1 Heatsink with fan for BGA CPU type (114 x 95 x 32 mm)

PBE-1000 R2.1 ETX® evaluation board in ATX form factor

Page 66

CBK-05-1000-00 Cable kit for PBE-1000 R2.1

- 1 x FDD cable
- 3 x COM port cables
- 1 x USB cable
- 2 x IDE cables
- 1 x TV-out cable