

# EmETX-i2700

# ETX

## Intel® Atom™ N270 ETX CPU Module



### Features

- **Fanless Design**
- ETX 3.0 w/ SATA Connectors
- Soldered Onboard Intel® Atom™ N270 Processor
- Dual Channels 18-bit LVDS, and Analog RGB
- **Extended Operating Temp.: -20 ~ 70°C**

### System

<b>CPU</b>	Soldered onboard Intel® Atom™ N270 1.6GHz processor with 533MHz FSB
<b>Memory</b>	1 x 200-pin DDR2 SO-DIMM socket, supporting 533MHz SDRAM up to 2GB
<b>Chipset</b>	Intel® 945GSE + ICH7M
<b>BIOS</b>	Phoenix-Award PnP Flash BIOS
<b>Watchdog Timer</b>	1~255 levels reset

### I/O

<b>I/O Chip</b>	Winbond W83627HG
<b>Serial Port</b>	2 x COM ports
<b>Parallel Port</b>	SPP/EPP/ECP mode selectable
<b>USB Port</b>	4 x USB 2.0 ports
<b>KB/MS</b>	PS/2 interface for keyboard and mouse
<b>Expansion Bus</b>	PCI (4 x PCI Masters) and ISA Bus LPC (Low Pin Count) connector
<b>Storage</b>	1 x Ultra ATA ports, supporting 2 IDE devices 2 x Serial ATA ports with 150MB/s HDD transfer rate
<b>Ethernet Chipset</b>	1 x Realtek 8103EL PCIe 10/100Base-T Ethernet controller
<b>Audio Interface</b>	EmETX-i2700 R1.4: - Realtek ALC888 7.1 Channel HD Audio Codec, supporting Mic-in/Line-in/Line-out EmETX-i2700 R1.3: - Realtek ALC655 6-Channel AC97 Audio Codec, supporting Mic-in/ Line-in/Line-out

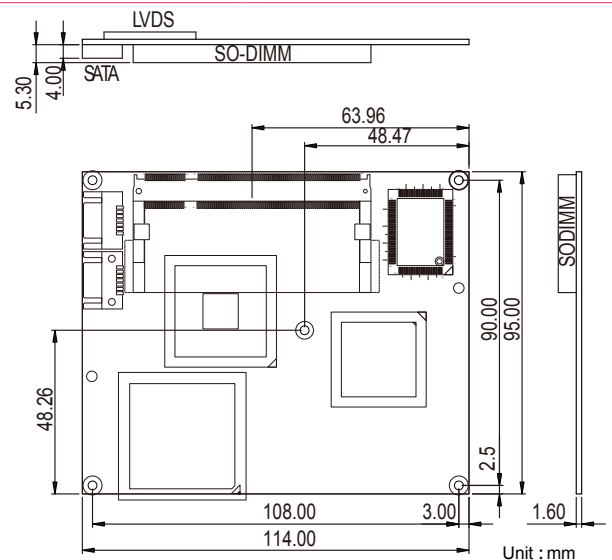
### Display

<b>Graphics Chipset</b>	Integrated Intel® Graphics Media Accelerator 950
<b>Graphics Interface</b>	Analog RGB supports resolution up to 2048 x 1536 @60Hz LCD: Dual Channels 18-bit LVDS, resolution up to 1600 x 1200
<b>SDVO Interface</b>	Intel® compliant SDVO B port (serial DVO) 200 megapixel/sec, supporting external DVI, TV and LVDS transmitter (via customized carrier board or daughterboard)

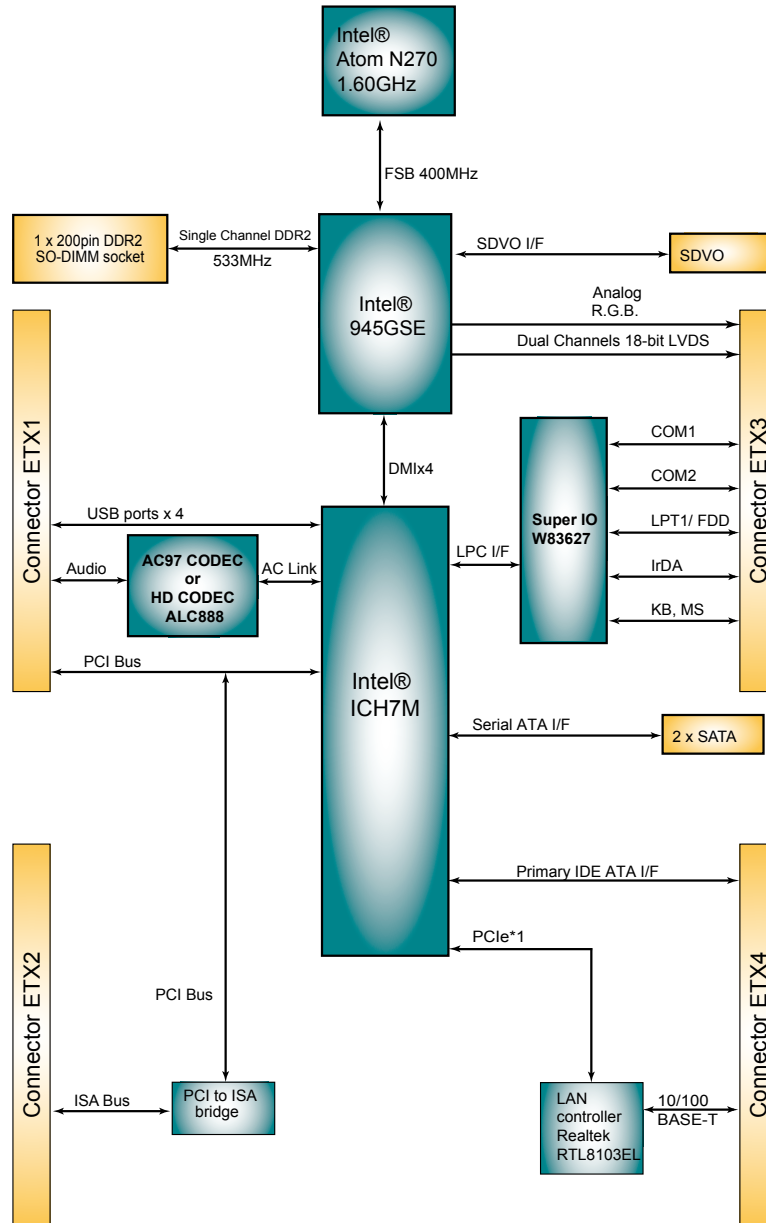
### Mechanical & Environmental

<b>Power Requirement</b>	+5V, 5VSB
<b>Power Consumption</b>	2.61A@+5V (Typical)
<b>Operating Temp.</b>	-20 ~ 70°C (-4 ~ 158°F)
<b>Operating Humidity</b>	10 ~ 95% @ 70°C (non-condensing)
<b>Dimension (L x W)</b>	114 x 95 mm (4.5" x 3.7")

### Dimensions



## Block Diagram



## Ordering Information

**EmETX-i2700** Intel® Atom™ N270 1.6GHz ETX CPU module

## Optional Accessories

**HS-2700-F5** Heat spreader (114x95x8 mm)

**HS-0000-W4** Universal evaluation heatsink kit w/ thermal pad (dimension: 125x95x22mm, only used on a flat type heatspreader)

**PBE-1000 R2.1** ETX® evaluation board in ATX form factor

Page 66

Cable kit for PBE-1000 R2.1

**CBK-05-1000-00**

- 1 x FDD cable
- 3 x COM port cables
- 1 x USB cable
- 2 x IDE cables
- 1 x TV-out cable