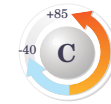
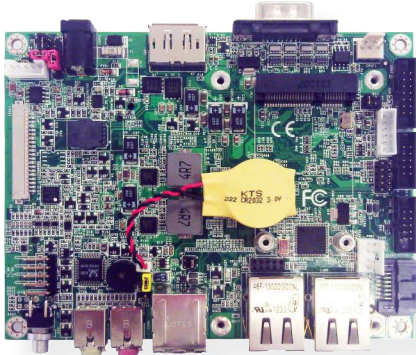


# PBN-9007

## COM Express® Type 10 Carrier Board



**COM**  
**Express**



### Features

- **COM Express® Type 10 Carrier Board**
- LVDS, and DisplayPort
- Soldered onboard Touch Screen Controller
- **Wide Range Operating Temp.: -40 ~ 85°C**

### I/O

Serial Port	2 x COM Ports (1 x COM with DB-9, 1 x RS-232/422/485 selectable)
USB Port	6 x USB 2.0 ports
Digital I/O	8-bit programmable digital input/output
Audio/ Interface	HD CODEC Realtek ALC662, MIC/ Line-out phone jack
Touch Panel	1 x Touch
Expansion Bus	1 x Mini-Card socket 1 x SIM socket
Ethernet Chipset	1 x Intel® 82583V PCIe GbE controller 1 x GbE by CPU module

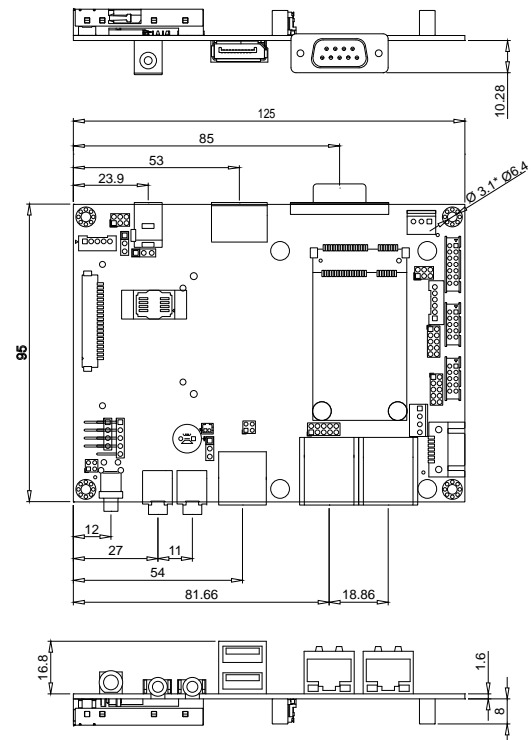
### Display

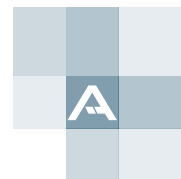
Graphic Chipset	GPU: Depending on CPU module
Graphic Interface	1 x LVDS connector 1 x DisplayPort
Touch Screen Interface	
Mode	5-pin header wire

### Mechanical & Environmental

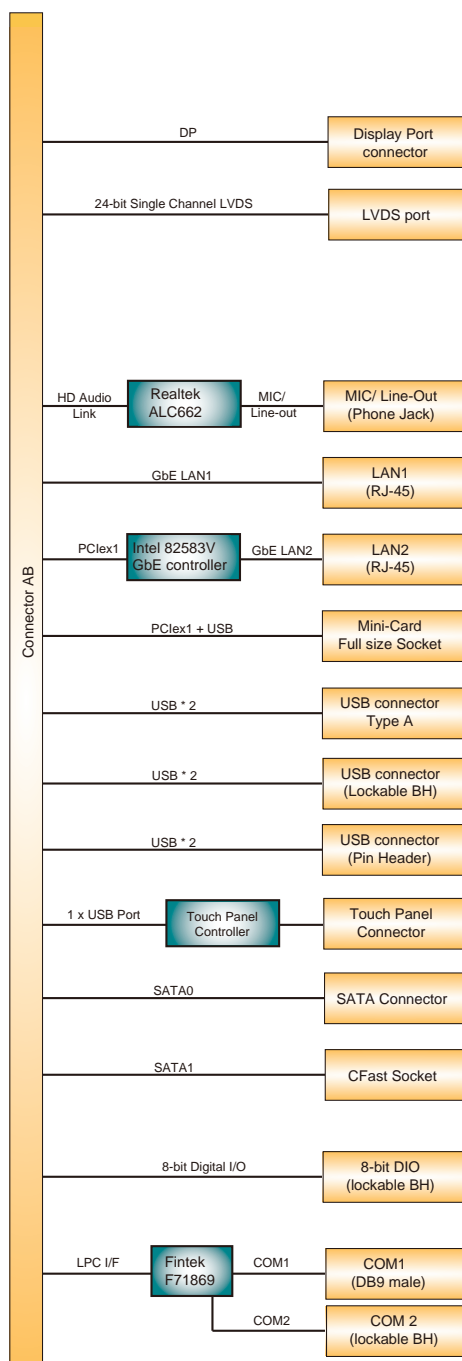
Power Requirement	+12V DC
Power Consumption	1.67A @ +12V with EmNANO-i250D (Typical)
Operating Temp.	-40 ~ 85°C (-40 ~ 185°F)
Operating Humidity	10 ~ 95% @ 85°C (non-condensing)
Dimensions (L x W)	125 x 95 mm (4.9" x 3.7")

### Dimensions





## Block Diagram



### Ordering Information

PBN-9007

COM Express® Type 10 Carrier Board

### Optional Accessories

CBK-05-9007-00

Cable kit  
 1 x SATA cable  
 1 x SATA power cable  
 1 x COM-port cable  
 1 x USB cable  
 1 x PS/2 cable