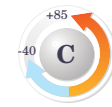
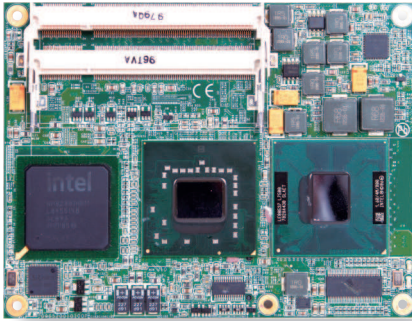


# COM-842E



**COM Express**

## Wide-Range Temperature Intel® Core™ 2 Duo L7500 COM Express® Basic Type 2 CPU Module



### Features

- Soldered onboard Intel® Core™ 2 Duo Processor L7500
- Memory Capacity up to 4GB supported
- Integrated Gigabit Ethernet
- Dual Channels 24-bit LVDS and Analog RGB
- **Wide-Range Operating Temp.: -40 ~ 85°C**

### System

CPU	Soldered onboard Intel® Core™2 Duo Processor L7500 1.6GHz with 800MHz FSB
Memory	2 x 200-pin DDR2 SO-DIMM Sockets, supporting 533/667MHz SDRAM up to 4GB
Chipset	Intel® GME965 + ICH8M
BIOS	AMI PnP Flash BIOS
Watchdog Timer	1~255 levels reset

### I/O

USB Port	8 x USB 2.0 ports
Digital I/O	8-bit programmable Digital Input/Output
Expansion Bus	5 x PCIe x1 lanes 1 x PCIe x16 lanes (for graphics only) 4 x PCI masters
Storage	1 x Ultra ATA, supporting 2 IDE devices 3 x Serial ATA ports with 300MB/s HDD transfer rate
Ethernet Chipset	1 x Realtek RTL8111 PCIe Gigabit Ethernet controller
Audio	HD Audio link

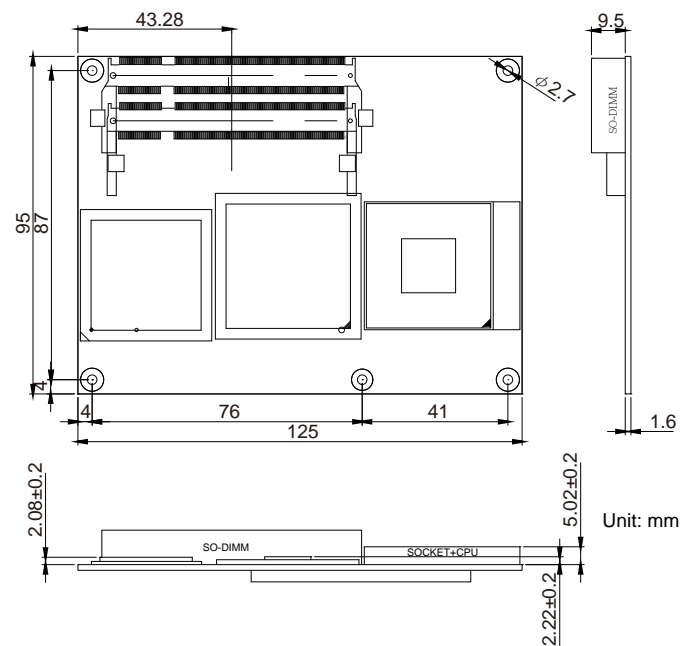
### Display

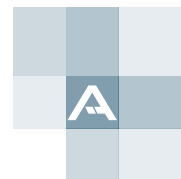
Graphic Chipset	Integrated Intel® Graphics Media Accelerator X3100
Graphic Interface	Analog RGB that supports up to 2048 x 1536 @60Hz TV-out: NTSC/PAL up to HDTV 1080P LCD: Dual channels 24-bit LVDS

### Mechanical & Environmental

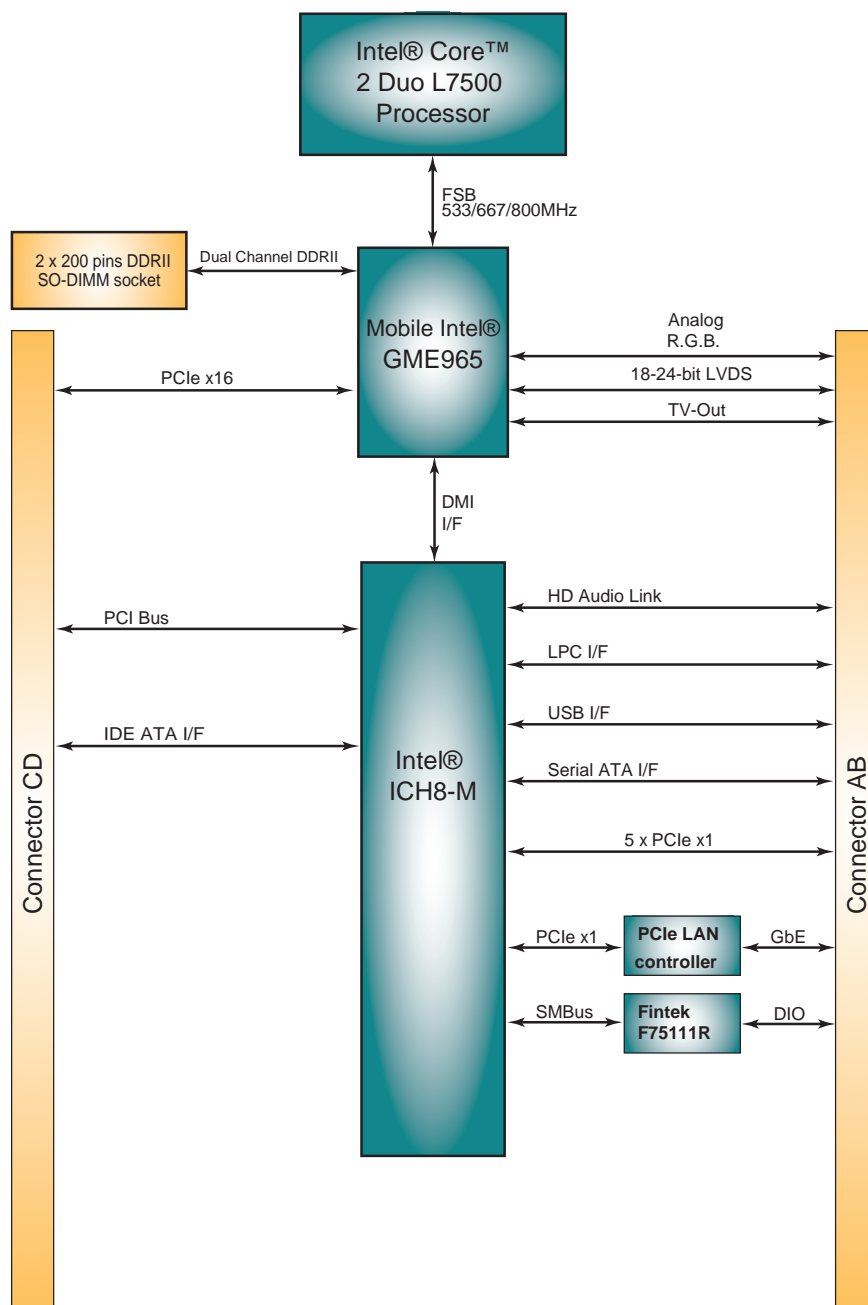
Power Requirement	+12V, 5VSB
Power Consumption	2.99A @+12V (Typical)
Operating Temp.	-40 ~ 85°C (-40 ~ 185°F)
Operating Humidity	10 ~ 95% @ 85°C (non-condensing)
Dimension (L x W)	125 x 95 mm (4.9" x 3.7")

### Dimensions





## Block Diagram



### Ordering Information

COM-842E/L7500	Intel® Core™ 2 Duo Processor L7500 1.6GHz COM Express® CPU module
----------------	---

### Optional Accessories

HS-0842-F1	Heat spreader (114 x 95 x 20.8 mm)
PBE-1700-W R1.3	COM Express® Type 2 evaluation board in ATX form factor with W83627 Super IO
CBK-04-1700-00	Cable kit 1 x SATA cable 1 x COM-port cable 1 x FDD cable 1 x IDE cable