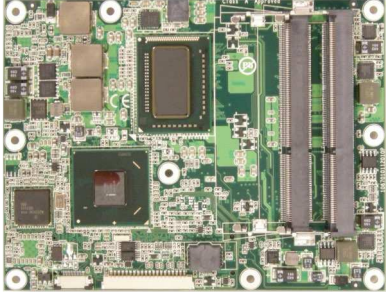


COM-873E



Wide-Range Temperature 2nd Generation Intel® Core™ i7/ Celeron® Processor COM Express® Basic Type 2 CPU Module



Features

- Soldered onboard 2nd Generation Intel® Core™ i7-2610UE/ Celeron® 827E
- Integrated Gigabit Ethernet
- Dual Channels 24-bit LVDS, Analog RGB and DDI Port
- Dual Independent Displays supported
- **Wide-Range Operating Temp.: -40 ~ 85°C**

System

CPU	Soldered onboard 2 nd Generation Intel® Core™ i7-2610UE dual-core 1.5GHz or Celeron® 827E 1.4GHz
Memory	2 x DDR3 SO-DIMM sockets, supporting SDRAM up to 16GB
Chipset	Intel® PCH QM67 for COM-873E-2610UE Intel® PCH HM65 for COM-873E-827E
BIOS	AMI UEFI BIOS
Watchdog Timer	1~255 levels reset

I/O

USB Port	8 x USB 2.0 ports
Digital I/O	8-bit programmable Digital Input/Output
Expansion Bus	1 x PCIe x16 lanes
	5 x PCIe x1 lanes
	4 x PCI masters LPC (Low Pin Count) interface
Storage	4 x Serial ATA ports: - 2 ports with 600MB/s HDD transfer rate - 2 ports with 300MB/s HDD transfer rate
Ethernet Chipset	1 x Intel® 82583V PCIe GbE controller
Audio	HD Audio link

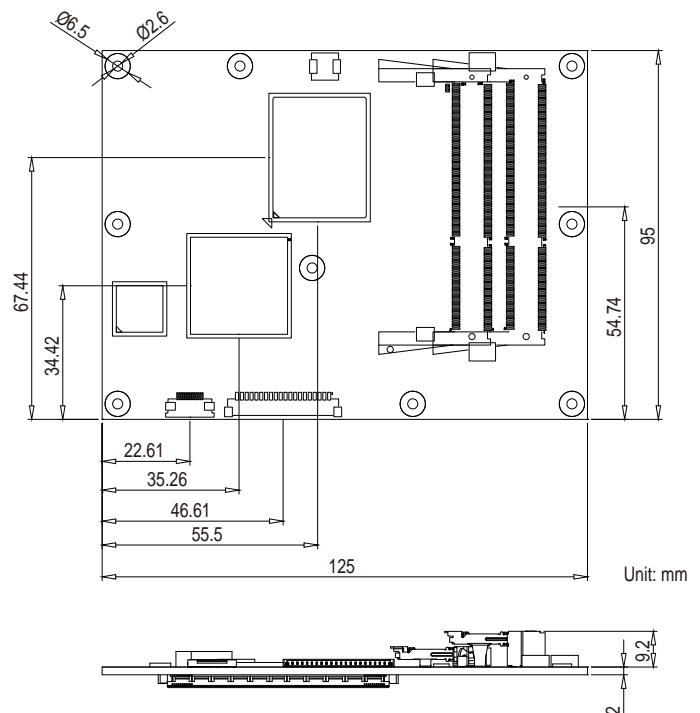
Display

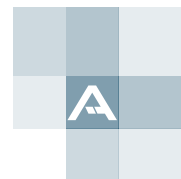
Graphic Chipset	Integrated Intel® HD Graphics 3000
Graphic Interface	Analog RGB that supports resolution up to 2048 x 1536 @60Hz
	LCD: Dual Channels 24-bit LVDS, with resolution up to 1920 x 1600
	Dual independent displays supported
	1 x DDI connector (optional)

Mechanical & Environmental

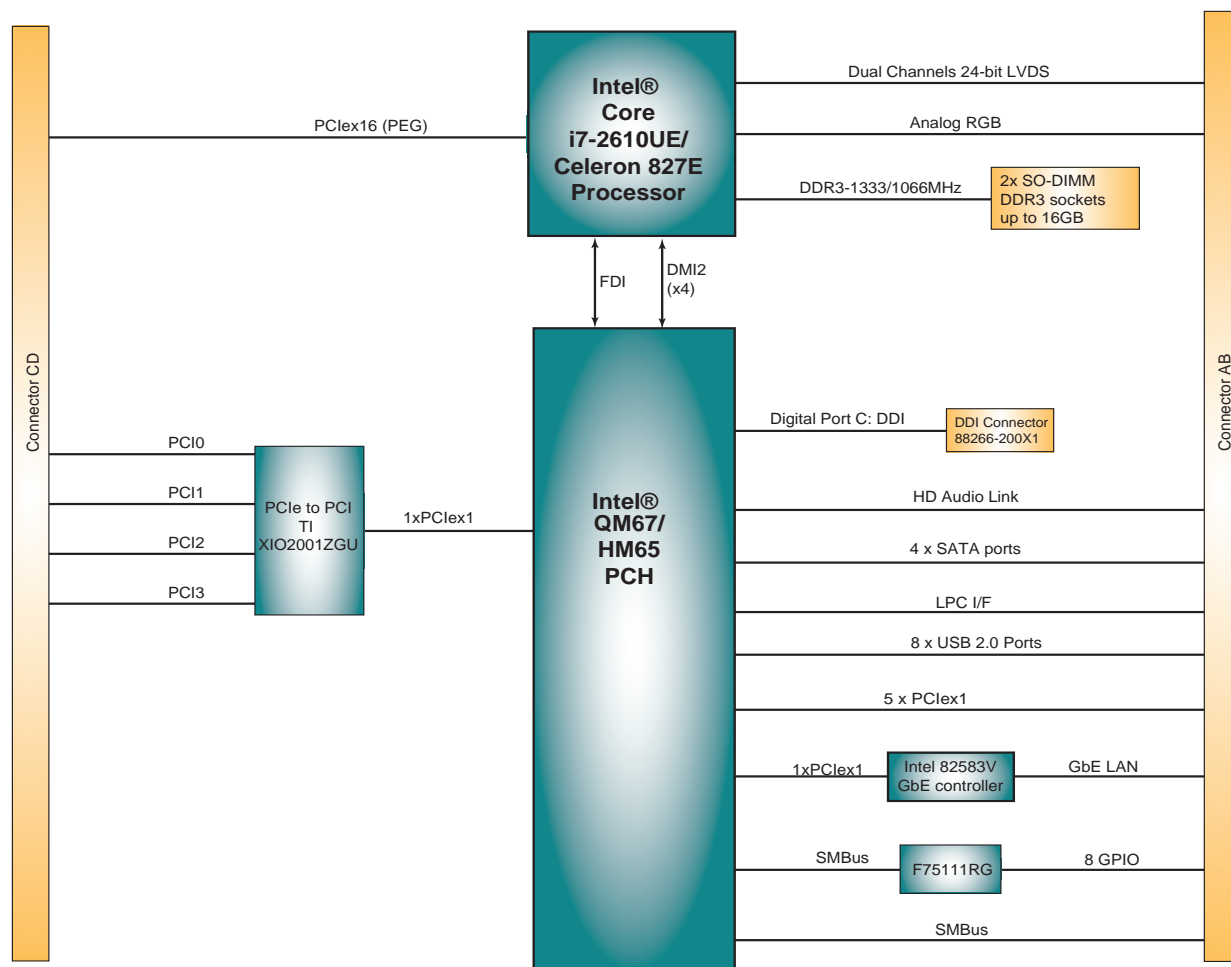
Power Requirement	+12V, 5VSB
Power Consumption	2.12A@+12V with Celeron® 827E (Typical)
Operating Temp.	-40 ~ 85°C (-40 ~ 185°F)
Operating Humidity	10 ~ 95% @ 85°C (non-condensing)
Dimension (L x W)	125 x 95 mm (4.9" x 3.7")

Dimensions





Block Diagram



Ordering Information

COM-873E-2610UE Intel® Core™ i7-2610UE/ PCH QM67 WT COM Express® CPU module

COM-873E-827E Intel® Celeron® 827E/ PCH HM65 WT COM Express® CPU module

Optional Accessories

HS-67M1-F2 Heat spreader (125x95x11mm)

HS-0000-W4 Universal evaluation heatsink kit with thermal pad (dimension: 125x95x22mm, only used on a flat type heat spreader)

FCDB-1424 DisplayPort daughter board

PBE-1700-W R1.3 COM Express® Type 2 evaluation board in ATX form factor with W83627 Super IO

CBK-04-1700-00
Cable kit
1 x SATA cable
1 x COM-port cable
1 x FDD cable
1 x IDE cable