

EasyBoard-841E



Wide-Range Temperature Intel® Core™ 2 Duo L7500 3.5" Compact Board



Features

- Soldered onboard Intel® Core™ 2 Duo Processor L7500
- Dual Gigabit Ethernet Ports
- Dual Channels 24-bit LVDS and Analog RGB
- Dual Independent Displays supported
- **Wide-Range Operating Temp.: -40 ~ 85°C**

System

CPU	Soldered onboard Intel® Core™ 2 Duo Processor L7500 1.6GHz with 800MHz FSB
Memory	1 x 200-pin DDR2 SO-DIMM socket, supporting 533/667MHz SDRAM up to 2GB
Chipset	Intel® GME965 + ICH8M
BIOS	AMI PnP Flash BIOS
Watchdog Timer	1~255 levels reset

I/O

I/O Chip	Winbond W83627HG
Serial Port	2 x COM ports (1 x RS-232, 1 x RS-232/422/485 selectable)
Parallel Port	SPP/EPP/ECP mode selectable
USB Port	6 x USB 2.0 ports
KB/MS	1 x 6-pin Mini-DIN for keyboard and mouse (PS/2 standard via Y-cable)
Digital I/O	8-bit programmable Digital Input/Output
Expansion Bus	1 x Mini PCI socket
Storage	1 x Ultra ATA, supporting 2 IDE devices 2 x Serial ATA ports with 300MB/s HDD transfer rate 1 x CompactFlash Type II Socket
Ethernet Chipset	2 x Realtek RTL8111 PCIe Gigabit Ethernet controllers
Audio Interface	Realtek ALC888 7.1 Channel HD Audio Codec, Mic-in/ Line-in/Line-out

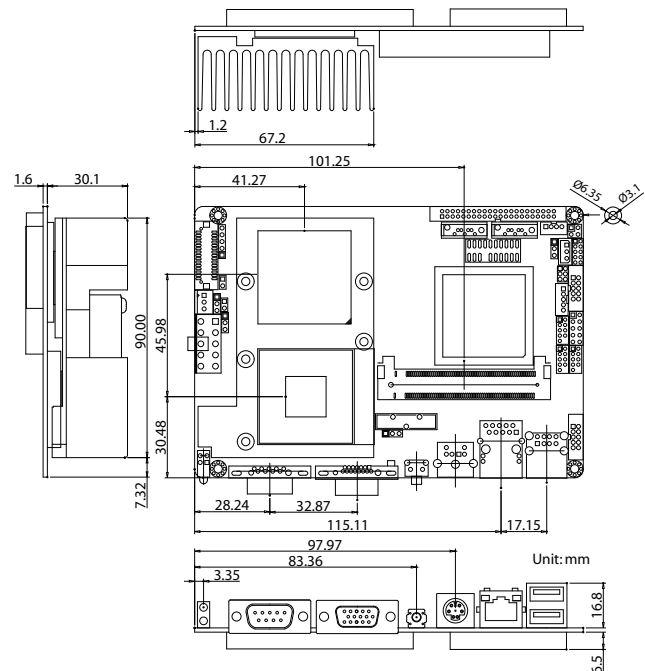
Display

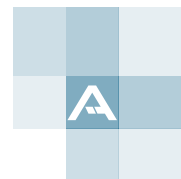
Graphic Chipset	Integrated Intel® Graphics Media Accelerator X3100
Graphic Interface	Analog RGB that supports up to 2048 x 1536 @60Hz LCD: Dual channels 24-bit LVDS Dual independent displays supported

Mechanical & Environmental

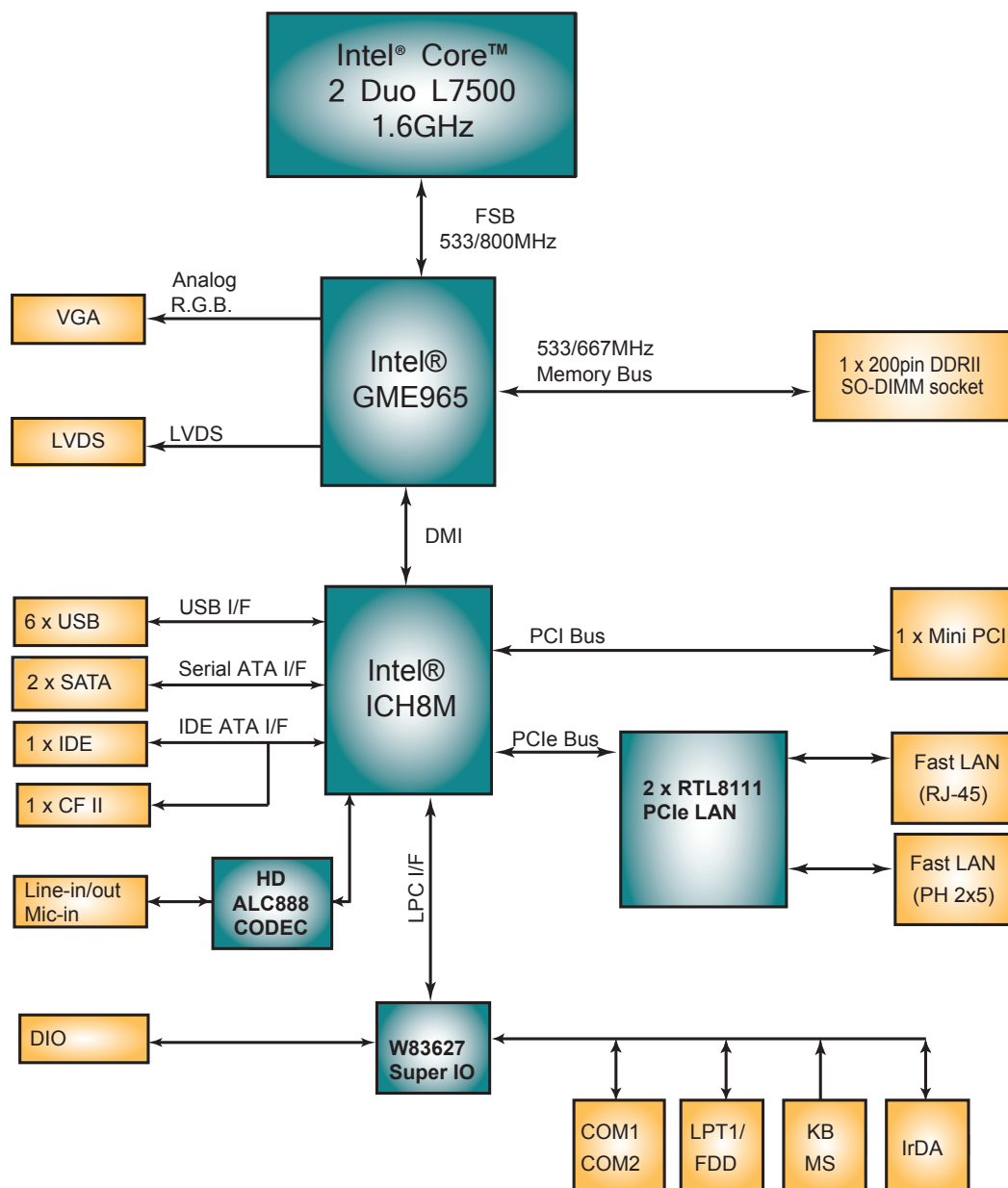
Power Requirement	2 x 5-pin ATX power connector
Power Consumption	0.37A@+12V, 6.66A@+5V, 2.37A@+3.3V (Typical)
Operating Temp.	-40 ~ 85°C (-40 ~ 185°F)
Operating Humidity	10 ~ 95% @ 85°C (non-condensing)
Dimension (L x W)	146 x 102 mm (5.7" x 4")

Dimensions





Block Diagram



Ordering Information

EasyBoard-841E/L7500

Intel® Core™ 2 Duo L7500 WT 3.5" compact board

Optional Accessories

CBK-09-9651-00

Cable kit
 1 x COM-port cable
 2 x USB cables
 1 x IDE cable
 1 x LPT cable
 1 x Audio cable
 1 x LPT-to-FDD cable
 1 x Ethernet cable
 1 x KB/MS Y-cable