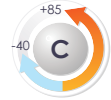
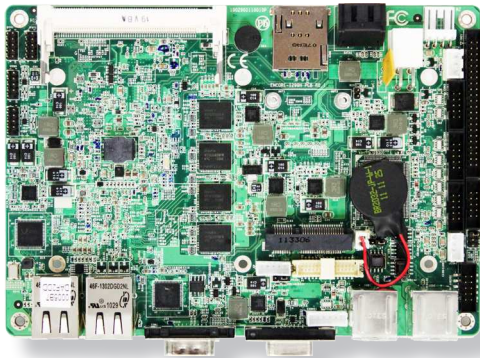


# EPIC-747E



## Wide-Range Temperature Intel® Atom™ Processor N455 EPIC Board



### Features

- Soldered onboard Intel® Atom™ Processor N455
- Soldered onboard DDR3 2GB Memory
- Dual Gigabit Ethernet Ports
- Analog RGB and Single Channel 18-bit LVDS Display
- Dual Independent Displays supported
- Integrated SIM Socket for Mobile Telecommunication
- **Wide-Range Operating Temp.: -40 ~ 85°C**

### System

|                |                                                      |
|----------------|------------------------------------------------------|
| CPU            | Soldered onboard Intel® Atom™ Processor N455 1.66GHz |
| Memory         | Soldered onboard DDR3 2GB SDRAM                      |
| Chipset        | Intel® ICH8M                                         |
| BIOS           | AMI PnP Flash BIOS                                   |
| Watchdog Timer | 1~255 levels reset                                   |

### I/O

|                  |                                                                                                                        |
|------------------|------------------------------------------------------------------------------------------------------------------------|
| I/O Chip         | Winbond W83627UHG                                                                                                      |
| Serial Port      | 5 x COM ports (4 x RS-232, 1 x RS-232/422/485 selectable)                                                              |
| USB Port         | 8 x USB 2.0 ports                                                                                                      |
| KB/MS            | 1 x 6-pin wafer connector for keyboard and mouse (PS/2 interface via cable)                                            |
| Digital I/O      | 8-bit programmable digital Input/Output                                                                                |
| Expansion Bus    | 1 x Mini PCI socket<br>1 x Mini-card socket<br>1 x SIM socket                                                          |
| Storage          | 1 x Ultra ATA, supporting 2 IDE device<br>2 x SATA ports at 300MB/s HDD transfer rate<br>Soldered onboard 2GB NANDrive |
| Ethernet Chipset | 2 x Realtek RTL8111 PCIe Gigabit Ethernet controllers                                                                  |
| Audio Interface  | Realtek ALC888 7.1 Channel HD Audio Codec, Mic-in/Line-in/Line-out                                                     |

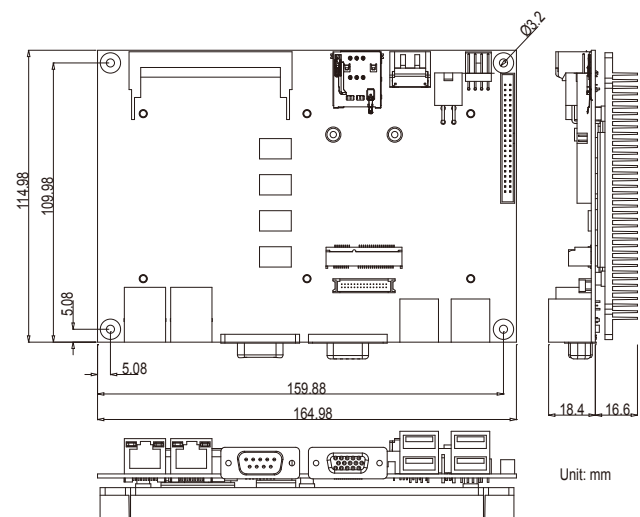
### Display

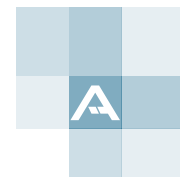
|                   |                                                                                                |
|-------------------|------------------------------------------------------------------------------------------------|
| Graphic Chipset   | Integrated Intel® Graphics Media Accelerator 3150                                              |
| Graphic Interface | Analog RGB supported<br>LCD: Single Channel 18-bit LVDS<br>Dual independent displays supported |

### Mechanical & Environmental

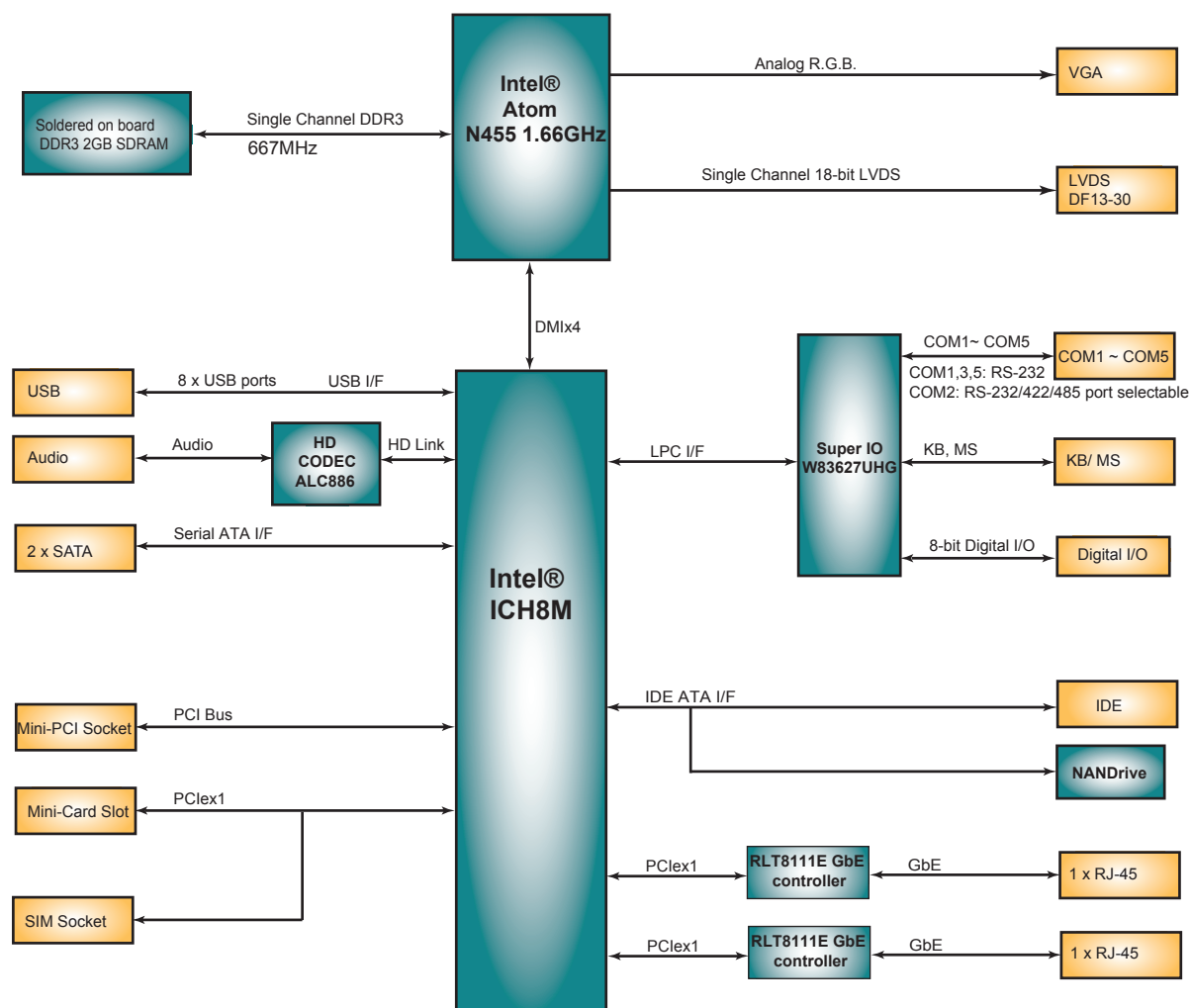
|                    |                                  |
|--------------------|----------------------------------|
| Power Connector    | 4-pin Aux. ATX power connector   |
| Power Consumption  | 1.27A@+12V (Typical)             |
| Operating Temp.    | -40 ~ 85°C (-40 ~ 185°F)         |
| Operating Humidity | 10 ~ 95% @ 85°C (non-condensing) |
| Dimensions (L x W) | 165 x 115 mm (6.5" x 4.53")      |

### Dimensions





## Block Diagram



## Ordering Information

EPIC-747E

Intel® Atom™ Processor N455 WT EPIC compact board with 2GB NANDrive

## Optional Accessories

CBK-11-2902-00

Cable kit  
 1 x IDE cable  
 1 x Audio cable  
 2 x SATA cables  
 2 x USB cables  
 4 x COM-port cables  
 1 x KB/MS cable