

ETX-735E



ETX

Intel® Atom™ N270 ETX CPU Module



Features

- **Fanless Design**
- ETX 3.0 w/ SATA Connectors
- Soldered Onboard Intel® Atom™ N270 Processor
- Dual Channels 18-bit LVDS, and Analog RGB
- **Wide Range Operating Temp.: -40 ~ 85°C**

System

CPU	Soldered onboard Intel® Atom™ N270 1.6GHz processor with 533MHz FSB
Memory	1 x 200-pin DDR2 SO-DIMM Socket, supporting 533MHz SDRAM up to 2GB
Chipset	Intel® 945GSE + ICH7M
BIOS	Phoenix-Award PnP Flash BIOS
Watchdog Timer	1~255 levels reset

I/O

I/O Chip	Winbond W83627HG
Serial Port	2 x COM ports
Parallel Port	SPP/EPP/ECP mode selectable
USB Port	4 x USB 2.0 ports
KB/MS	PS/2 interface for keyboard and mouse
Expansion Bus	PCI (4 x PCI masters) and ISA bus LPC (Low Pin Count) Connector (optional)
Storage	1 x Ultra ATA ports, supporting 2 IDE devices 2 x Serial ATA ports with 150 MB/s HDD transfer rate
Ethernet Chipset	1 x Realtek RTL8103EL 10/100Base-T Ethernet Controller
Audio Interface	Realtek ALC655 6-Channel AC97 Audio Codec, Mic-in/ Line-in/Line-out

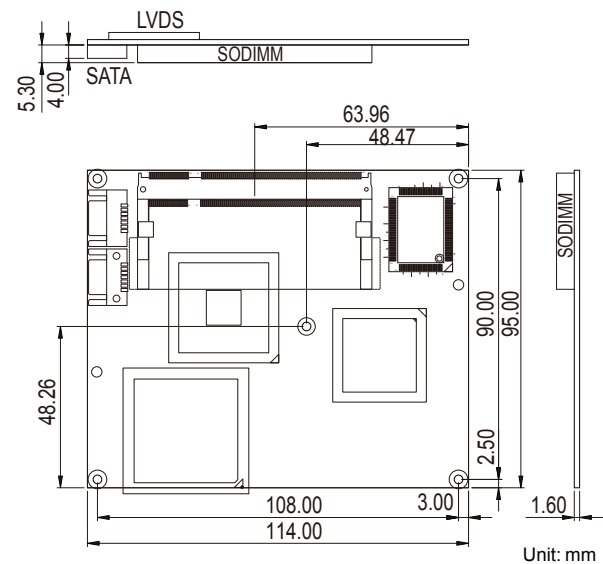
Display

Graphics Chipset	Integrated Intel® Graphics Media Accelerator 950
Graphics Interface	Analog RGB supports up to 2048 x 1536 @60Hz LCD: Dual channels 18-bit LVDS, up to 1600 x 1200
SDVO Interface	Intel® compliant SDVO B port (serial DVO) 200 megapixel/ sec, supporting external DVI, TV and LVDS transmitter (via customized carrier board or daughterboard)

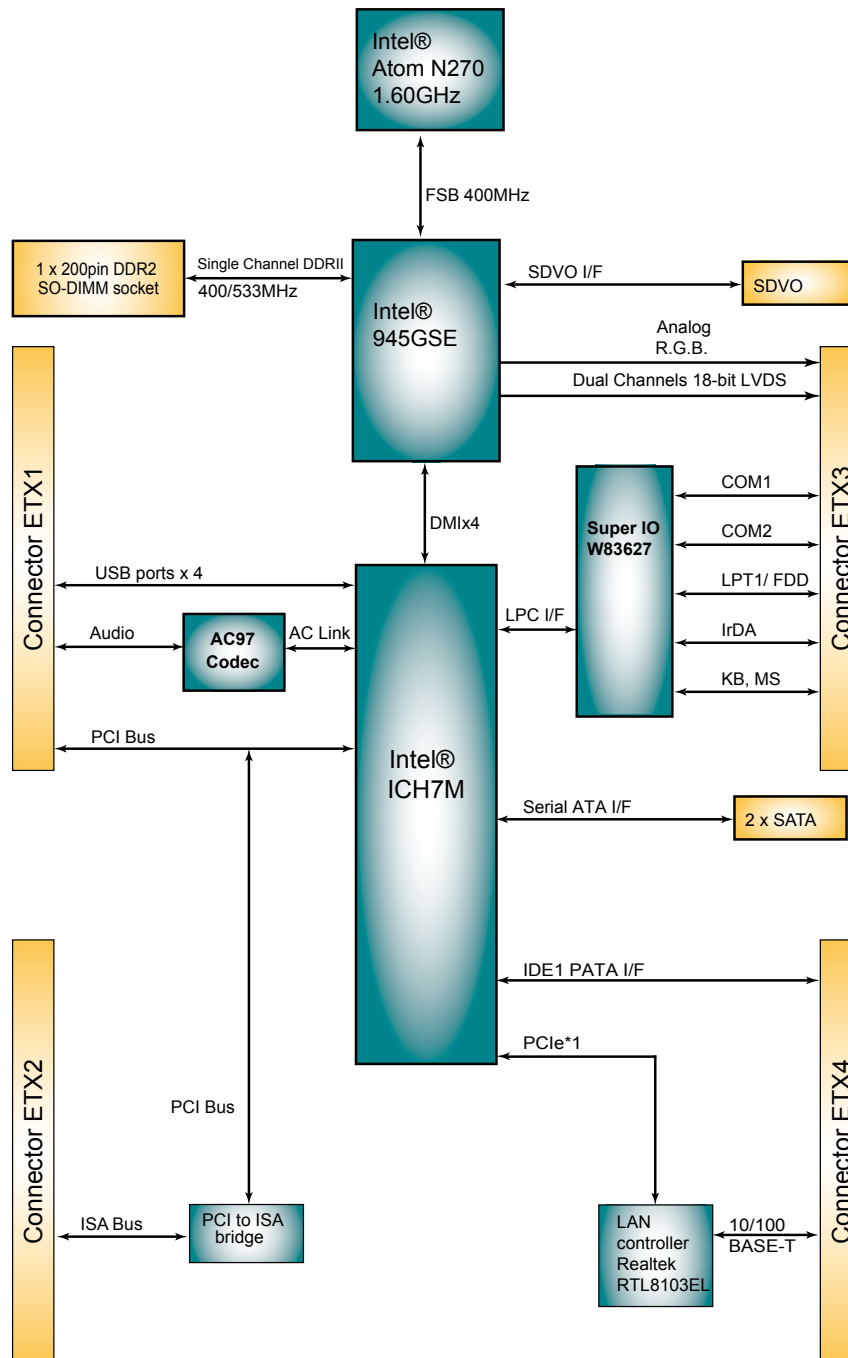
Mechanical & Environmental

Power Requirement	+5V, 5VSB
Power Consumption	2.61A@+5V (Typical)
Operating Temp.	-40 ~ 85°C (-40 ~ 185°F)
Operating Humidity	0 ~ 90% (non-condensing)
Dimension (L x W)	114 x 95 mm (4.5" x 3.7")

Dimensions



Block Diagram



Ordering Information

ETX-735E	Intel® Atom™ N270 1.6GHz ETX CPU module	
HS-0735-F1	Heat Spreader (114 x 95 x 18 mm)	
PBE-1000 R2.1	ETX® evaluation board in ATX form factor	See Appendix
CBK-05-1000-00	Cable kit for PBE-1000 R2.1 1 x FDD cable 3 x COM port cables 1 x USB cable 2 x IDE cables 1 x TV-out cable	