

# ETX-832E



# ETX

## Intel® Core™ 2 Duo L2400 ETX CPU Module



### Features

- **Fanless Design**
- ETX 3.0 w/ SATA Connectors
- Soldered Onboard Intel® Core™ 2 Duo L2400 Processor
- Dual Channels 24-bit LVDS, and Analog RGB
- Support Dual Independent Displays
- **Wide Range Operating Temp.:** -40 ~ 85°C

### System

**CPU** Soldered onboard Intel® Core™ 2 Duo L2400 1.66GHz processor with 667MHz FSB

**Memory** 1 x 200-pin DDR2 SO-DIMM Socket, supporting 533/667MHz SDRAM up to 2GB

**Chipset** Intel® 945GME + ICH7M

**BIOS** Phoenix-Award PnP Flash BIOS

**Watchdog Timer** 1~255 levels reset

### I/O

**I/O Chip** Winbond W83627HG

**Serial Port** 2 x COM ports

**Parallel Port** SPP/EPP/ECP mode selectable

**USB Port** 4 x USB 2.0 ports

**KB/MS** PS/2 interface for keyboard and mouse

**Expansion Bus** PCI (4 x PCI masters) and ISA bus

**Storage** 1 x Ultra ATA, supporting 2 IDE devices  
2 x Serial ATA ports with 150MB/s HDD transfer rate

**Ethernet Chipset** 1 x Realtek RTL8103EL PCIe 10/100Base-T Ethernet controller

**Audio Interface** Realtek ALC655 6 Channel AC97 Codec, Mic-in/Line-in/Line-out

### Display

**Graphics Chipset** Integrated Intel® Graphics Media Accelerator 950  
Analog RGB supports up to 2048 x 1536 @60Hz

**Graphics Interface** LCD: Dual channels 24-bit LVDS  
Support Dual Independent Displays

### Mechanical & Environmental

**Power Requirement** +5V, 5VSB

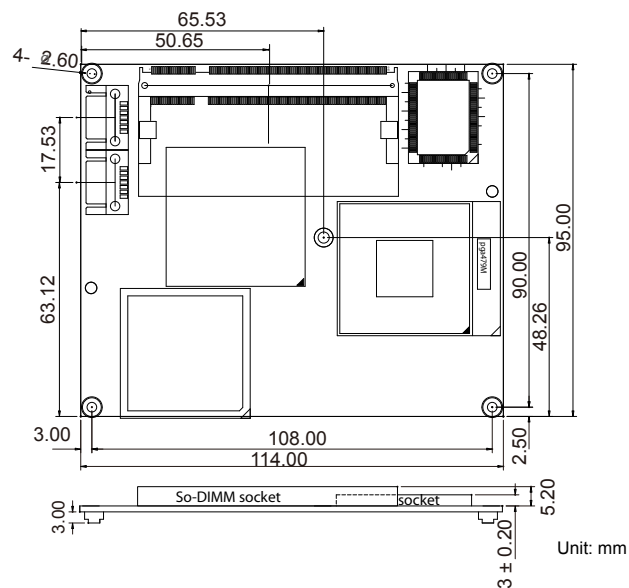
**Power Consumption** 4.62A@+5V (Typical)

**Operating Temp.** -40 ~ 85°C (-40 ~ 185°F)

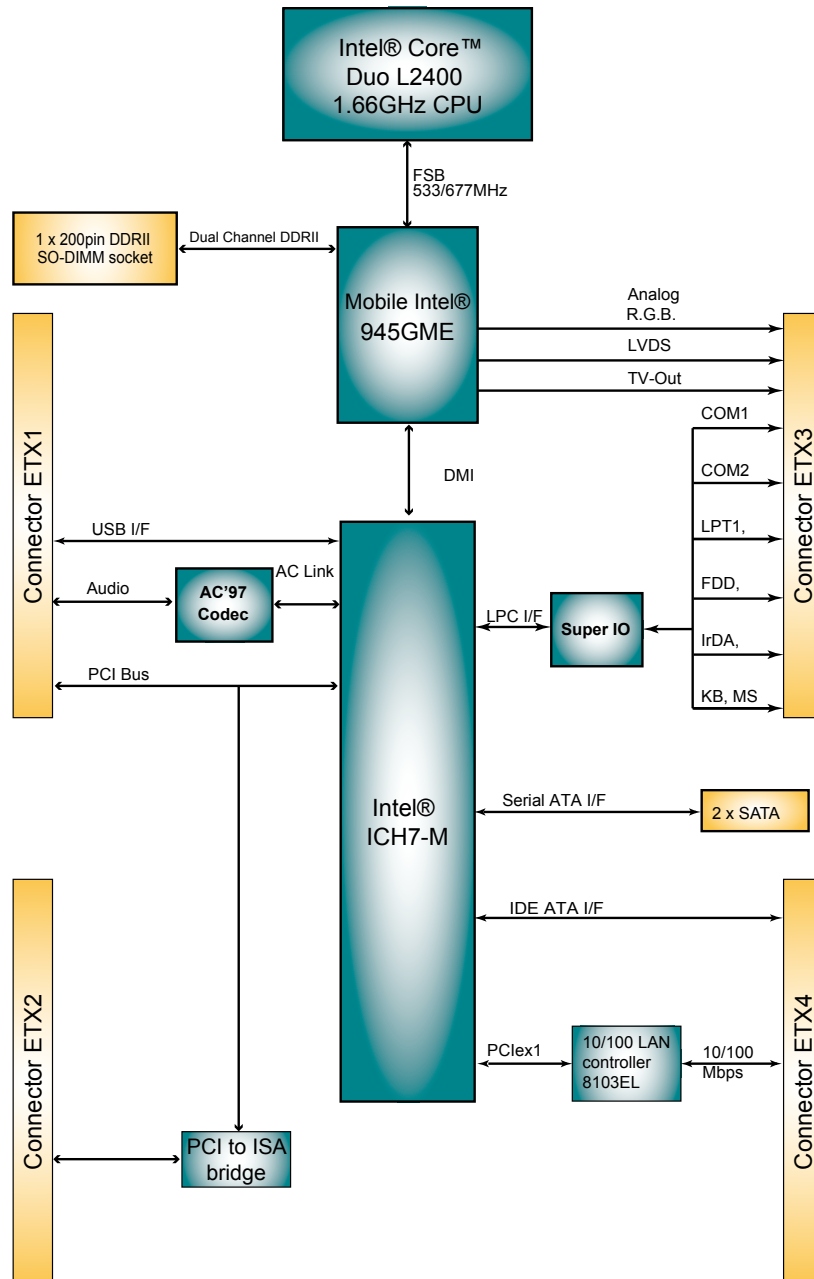
**Operating Humidity** 0 ~ 90% (non-condensing)

**Dimension (L x W)** 114 x 95 mm (4.5" x 3.7")

### Dimensions



## Block Diagram



## Ordering Information

<b>ETX-832E/L2400</b>	Intel® Core™ Duo L2400 ETX CPU module	
<b>HS-0832-F1</b>	Heat spreader (114 x 95 x 20.8 mm)	
<b>PBE-1000 R2.1</b>	ETX® evaluation board in ATX form factor	See Appendix
<b>CBK-05-1000-00</b>	Cable kit for PBE-1000 R2.1 1 x FDD cable 3 x COM port cables 1 x USB cable 2 x IDE cables 1 x TV-out cable	