



SolidBoard-730E

Intel® Atom™ N270 Embedded Mini-ITX Board



Features

- **Fanless Design**
- Ultra Low Profile (16.8mm Height Max.)
- Soldered Onboard Intel® Atom™ N270 Processor
- Soldered Onboard DDR2 1GB Memory
- Dual Channels 18-bit LVDS, and Analog RGB
- Dual Gigabit Ethernet Ports
- **Wide Range Operating Temp.: -40 ~ 85°C**

System

CPU	Soldered onboard Intel® Atom™ N270 1.6GHz processor with 533MHz FSB
Memory	Soldered onboard 1GB DDR2 533MHz SDRAM
Chipset	Intel® 945GSE + ICH7M
BIOS	Phoenix-Award Flash BIOS
Watchdog Timer	1~255 levels reset

I/O

I/O Chip	Winbond W83627HG Fintek F81216D
Serial Port	6 x COM ports (4 x RS-232, 2 x RS-232/422/485 selectable)
Parallel Port	SPP/EPP/ECP mode selectable
USB Port	6 x USB 2.0 ports
KB/MS	One 1 x 6-pin wafer connector for PS/2 interface for keyboard and mouse
Digital I/O	8-bit programmable Digital Input/Output
Expansion Bus	1 x PCI slot 1 x Mini-card slot

Storage

Storage	1 x Ultra ATA, supporting 2 IDE devices 2 x Serial ATA ports with 150MB/s HDD transfer rate
Ethernet Chipset	2 x Realtek RTL8111 Gigabit Ethernet controllers
Audio Interface	Realtek ALC888 7.1 Channel HD Audio Codec, Mic-in/ Line-in/Line-out

Display

Graphics Chipset	Integrated Intel® Graphics Media Accelerator 950
Graphics Interface	Analog RGB supports up to 2048 x 1536 LCD: Dual channels 18-bit LVDS
SDVO Interface	Intel® compliant SDVO B port supports external DVI, TV-out and LVDS transmitter (via daughterboard)

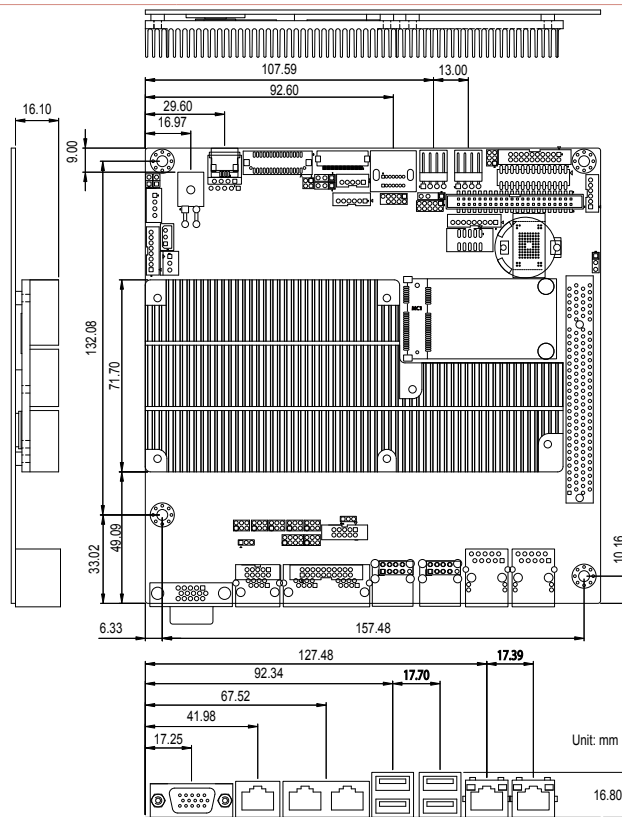
Mechanical & Environmental

Power Requirement	+12V input
Power Consumption	1.25A@+11.7V (Typical)
Operating Temp.	-40~85°C (-40~ 185°F)
Operating Humidity	0 ~ 95% (non-condensing)
Dimensions (L x W)	170 x 170 mm (6.7" x 6.7")

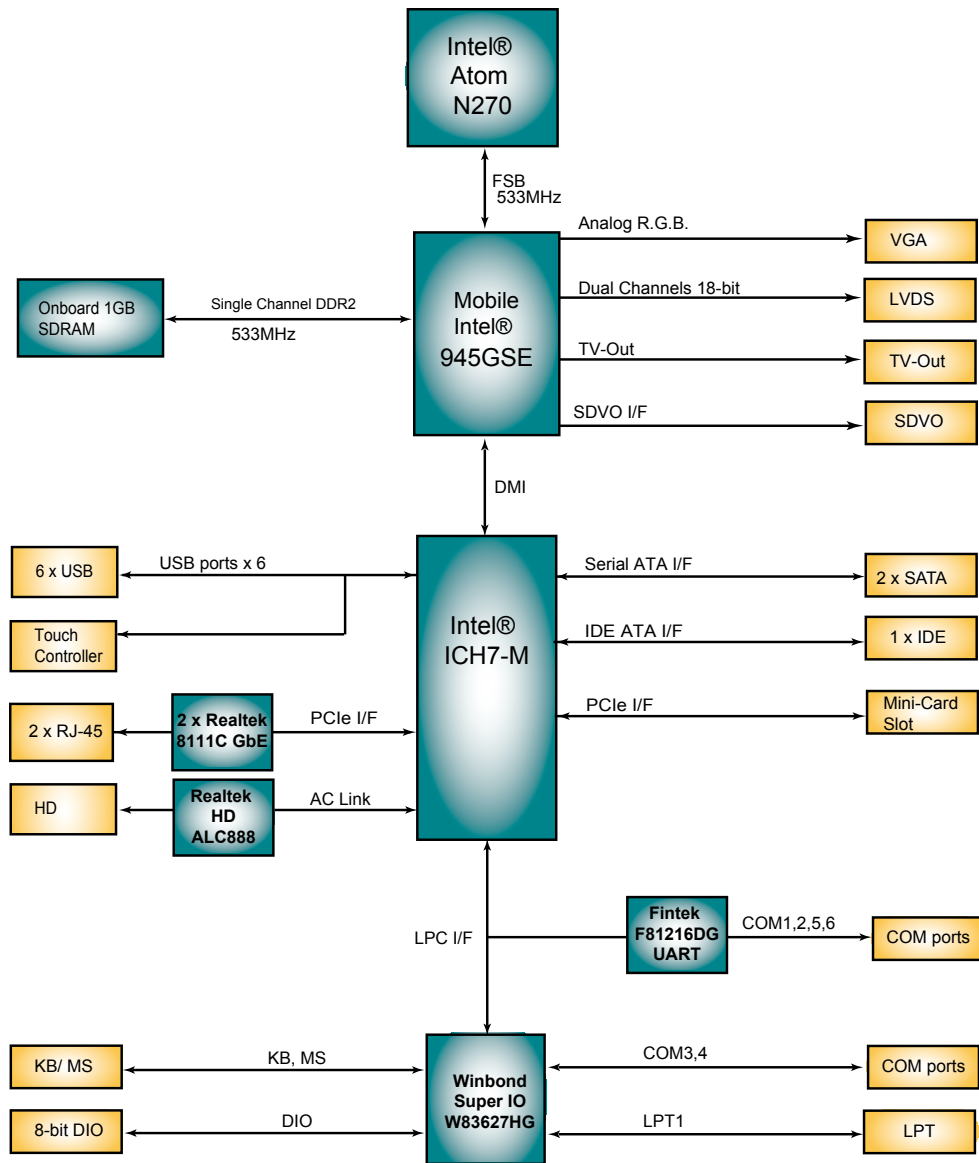
Touch Screen Interface

Mode	4-pin FPC for 4-wire 4-pin headers for 4-wire 5-pin headers for 5-wire
-------------	--

Dimensions



Block Diagram



Ordering Information

SolidBoard-730E

Intel® Atom™ N270 1.6GHz embedded Mini-ITX board

CBK-13-2701-00

Cable kit

- 1 x USB cable
- 1 x TV-out cable
- 1 x Audio cable
- 1 x One Port COM cable
- 1 x Two Ports COM cable
- 1 x IDE cable
- 1 x LPT cable
- 1 x KB & MS Y-cable
- 1 x SATA Cable
- 1 x SATA Power cable
- 3 x COM port RJ-45 cables