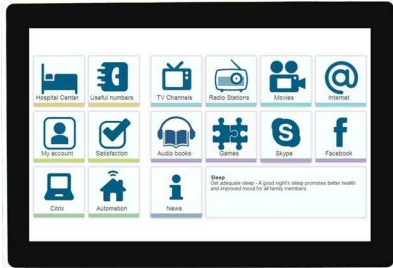


# M1012

## 10.1" Medical Terminal powered by Android™

### Features



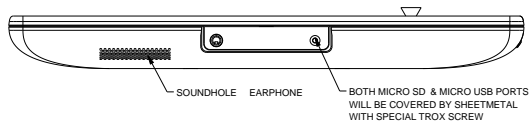
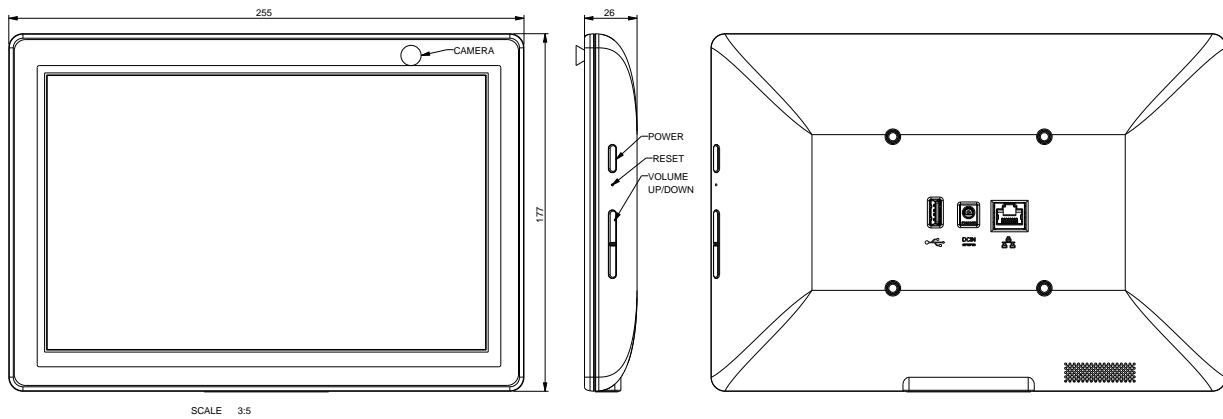
- Soldered onboard TI OMAP™ 4470 Cortex™-A9
- 10.1" LCD with min. 10-point Projected Capacitive Multi-Touch
- Applicable for bedside infotainment and medical thin-client
- EN60601-1, EN60601-1-2 medical certificate approvals
- Soldered onboard 1GB LPDDR2 memory
- 2.0 MP front-facing camera
- 75mm M4 VESA-mount supported

System	
CPU	Soldered onboard TI OMAP™ 4470 Cortex™-A9 dual-core 1.5 GHz
Memory	Soldered onboard 1GB LPDDR2
Storage	8GB eMMC Flash (expandable) installed
Peripherals and Devices	
Camera	2.0 MP front-facing MIPI camera
WLAN & Bluetooth	Integrated IEEE 802.11 a/b/g/n and Bluetooth 4.0 EDR (optional)
SD Card	1 x microSDHC/microSD card socket (hidden)
I/O Interface	
Audio	1 x Integrated 3W stereo speakers 1 x Line-out w/ an external headset 1 x built-in Microphone
LAN	1x RJ-45 10/100M with PoE PD support
USB Port	1 x USB 2.0 Type-A port 1x OTG micro-USB 2.0 (hidden)
Button & Indicator	
Button	1 x Power on/off button 2 x Volume up/down buttons 1 x Reset button (hidden)
Touch Screen	
Type	10-point Projected Capacitive Multi-Touch
Controller Interface	I <sup>2</sup> C interface with controller on the FPC cable
LCD Display	
Size/Type	10.1" TFT, LVDS type
Max. Resolution	1280 x 800
Luminance	250 cd/m <sup>2</sup> (typ.)
Contrast Ratio	600:1 (typ.)
View Angle (U/D/R/L)	77.5°/77.5°/75°/75°
Backlight Type	LED

Power Requirement	
Adapter Input	100 ~ 240 VAC (Full Range)
Adapter Output	DC 12V, 2.5A, 30W with medical certificate
Mechanical & Environmental	
Operating Temp.	0 ~ 40°C (32 ~ 104°F)
Storage Temp.	-20 ~ 60°C (-4 ~ 140°F)
Dimensions (W x D x H)	189 x 255 x 26 mm (7.44" x 10.04" x 1.02")
Operating Humidity	10 ~ 80% @ 40°C (non-condensing)
Net Weight	750g
Regulatory	CE, FCC Class B EN60601-1, EN60601-1-2 Certified
IP Rating	IP-65 (Front)
Vibration	5 ~ 500Hz, 1G random operation
OS Support	
Android™	4.1



## Dimensions



---

### Standard Accessories

---

Power Adapter	30W AC/DC adapter kit
---------------	-----------------------

---

