

EPC-2020/2030/2032

Programmable Embedded Controller with Intel® Atom™ Processor D525

EPC-2020



EPC-2030/ EPC-2032



Features

- Fanless, Cable-less and Modularized Design
- Wide Range DC Power Input (10 ~ 30V)
- Rich Onboard I/O and Expansion Slots (Max. 2 x PCIe x1 Slots, Max. 2 x PCI Slots)
- RS-485 Auto-flow Control supported
- Easy Installation/Maintenance

System

CPU	Soldered onboard Intel® Atom™ Processor D525 1.8GHz
Memory	Soldered onboard 2GB DDR3 SDRAM
Chipset	Intel® ICH8M
Graphics	Intel® GMA 3150 integrated
LAN Chipset	2 x Intel® 82574L GbE controllers 1 x Intel® 82583V PCIe GbE controller
Watchdog Timer	1~255 levels reset

I/O

Serial Port	4 x RS-232 ports via four DB-9 male connectors (COM3 and COM4 are RS-232/422/485 configurable.)
USB Port	4 x USB type A connectors for USB 2.0 ports
LAN	2 x RJ-45 GbE ports
Video Port	1 x DB-15 female connector for Analog RGB 1 x DB-26 male connector for dual channels 24-bit LVDS port
Audio	Mic-in/Line-out with Realtek ALC886 HD Audio CODEC
KB/MS	PS/2 interface Keyboard/ Mouse via Y-cable
Expansion Bus	1 x PCIe x1 slot, 1 x PCI slot for EPC-2020 2 x PCIe x1 slots, 1 x PCI slot for EPC-2030 1 x PCIe x1 slot, 2 x PCI slots for EPC-2032

Environmental

Operating Temp.	-20 ~ 60°C (-4 ~ 140°F), ambient with air flow
Storage Temp.	-40 ~ 85°C (-40 ~ 185°F)
Operating Humidity	10 ~ 95% @ 60°C (non-condensing)
Vibration	5~500Hz, 3Grms Random (w/ SSD)
Shock	Operating 40G, 11ms Non-operating 60G (with CFAST/ SSD)

Qualification

Certification	CE, FCC Class A
---------------	-----------------

Power Requirement

Power Input	DC 10 ~ 30V input (w/ 3-pin terminal block)
Power Consumption	Max.60W (w/o IO Card)

Storage

Type	1 x 2.5" drive bay for SATA-interfaced HDD/SSD, supporting 300MB/s HDD transfer rate 1 x CFAST socket
------	--

Mechanical

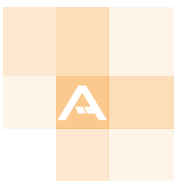
Construction	Aluminum alloy
Mounting	Wall-mount & DIN-rail mount
Weight	Max. 2.92 kg (6.42 lb)
Dimensions (W x D x H)	EPC-2020: 164 x 192 x 120 mm (6.46" x 7.56" x 4.72") EPC-2030/ EPC-2032: 164 x 192 x 140 mm (6.46" x 7.56" x 5.51")

OS Support

XPe / XP Pro / W7 Pro / WS7E

Ordering Information

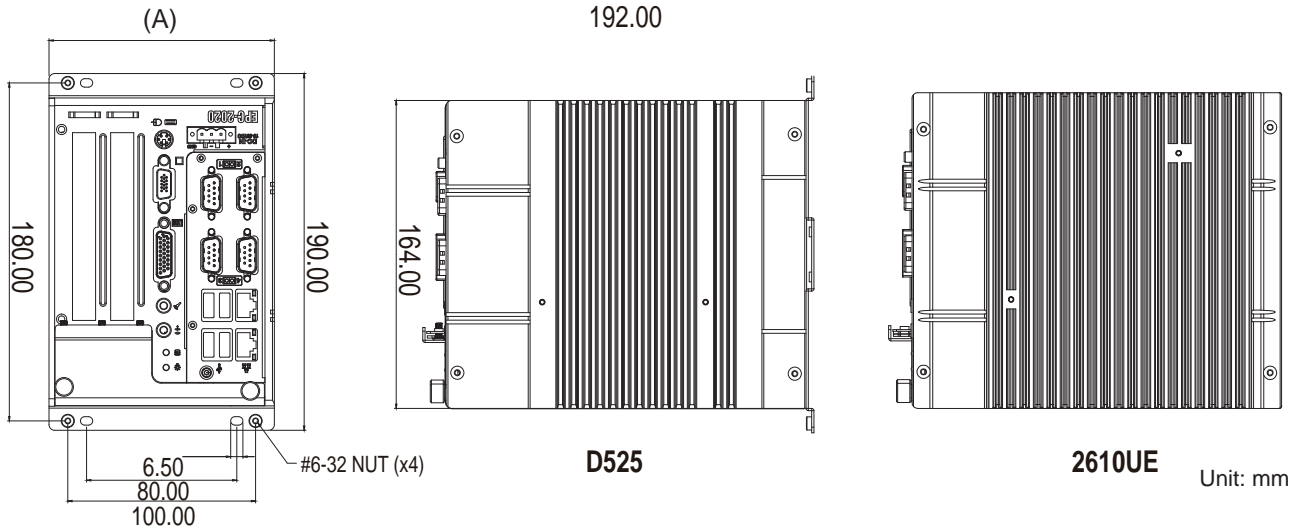
EPC-2020	Programmable embedded controller with Intel® Atom™ Processor D525, 1 x PCIe x1 slot and 1 x PCI slot
EPC-2030	Programmable embedded controller with Intel® Atom™ Processor D525, 2 x PCIe x1 slots and 1 x PCI slot
EPC-2032	Programmable embedded controller with Intel® Atom™ Processor D525, 1 x PCIe x1 slot and 2 x PCI slots



Dimensions

EPC-2000 Series

Dimensions	
Model	(A)
EPC-2020	120mm
EPC-2030	140mm
EPC-2032	140mm



Unit: mm

Standard Accessories

WMK-2000 Wall-mount kit for EPC-2000 Series



Optional Accessories

PAC-P065W 19V/3.4A 65W AC/DC adapter kit



DRK-2000 DIN-rail mount kit for EPC-2000 Series



Optional Configuration (CTOS* Kit)

80GB SSD Intel® 2.5" 80GB SATAIII SSD kit



MM-3C-2G DDR3-1333 2GB SDRAM



*CTOS means Configure-to-Order Service.

