

# FPC-7502

Robust Box PC with 1<sup>st</sup> Generation Intel® Core™ i7/i5/Celeron® Processor Platform

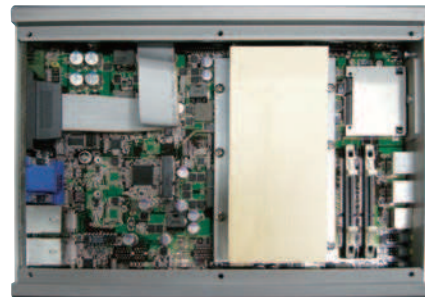


## Features

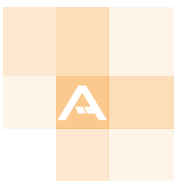
- Fanless Design
- Wide Range DC Power Input (10 ~ 28V)
- Serial Port with 5V/12V Power Output
- RS-485 Auto-flow supported
- Various Video Interfaces supported (Analog RGB, DisplayPort, DVI)
- Outside Accessible CFast and SIM Slots supported
- Optional Wi-Fi or HSUPA Wireless Connection supported
- Rugged Design for Shock/Vibration Protection
- Easy Installation/Maintenance
- RAID 0, 1 supported
- Intel® SSD compatible

System	
CPU	1 <sup>st</sup> Generation Intel® Core™ i7/i5/Celeron® Processors in PGA988 socket
Memory	2 x 204-pin DDR3 SO-DIMM sockets, supporting 800/1066MHz SDRAM up to 8GB
Chipset	Intel® QM57
Graphics	Integrated Intel® HD Graphics controller
ATA	2 x Serial ATA ports with 300MB/s HDD transfer rate
LAN Chipset	2 x Intel® WG82574IT GbE controllers
Watchdog Timer	1~255 levels reset
I/O	
Serial Port	4 x RS-232 ports via one DB-44 female connector. (COM3 and COM4 are RS-232/485 configurable.)
USB Port	8 x USB 2.0 ports
LAN	2 x RJ-45 ports for GbE
Video Port	1 x DB-15 female connector for Analog RGB
	1 x DisplayPort
	1 x DVI-D female connector for digital video output
Selectable Port	DVI-D by default, can be changed to DIO or LPT
	1 x 16-bit digital I/O, 8 in/8 out SPP/EPP/ECP mode for LPT
Audio	Mic-in/Line-out (6W pre-amplified)
KB/MS	1 x 6-pin Mini-DIN for Keyboard and Mouse
Expansion Bus	1 x PCIe x16 slot (The power consumption of Graphic card should be under 50 or 60 Watt)
	1 x PCIe x1 slot
	1 x Mini-card socket interconnected with SIM card socket for optional Wi-Fi or HSUPA module
	1 x SIM socket (outside accessible)
Environmental	
Operating Temp.	-20 ~ 55°C (-4 ~ 131°F), ambient w/ air flow
Storage Temp.	-40 ~ 85°C (-40 ~ 185°F)
Operating Humidity	10 ~ 95% @ 55°C (non-condensing)
Vibration	3 Grms/5~500Hz/random operation

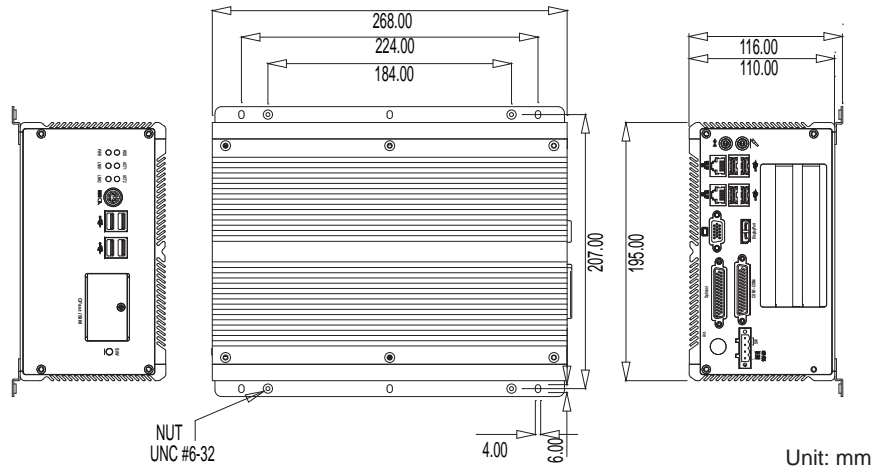
Shock	Operating 40G (11ms), Non-operating 60G with CFast/SSD
Qualification	
Certification	CE, FCC Class A
Power Requirement	
Power Input	DC 10~28V input (w/ 4-pin DC input terminal block, combining remote power on/off switch)
Power Consumption	Max. 50W (w/o I/O card)
Storage	
Type	2 x 2.5" drive bays for HDD/SSD w/ 9.5mm height limit 1 x CFast socket, can be outside accessible
Mechanical	
Construction	Aluminum alloy
Mounting	Wall-mount
Weight	4.5 kg ( 9.9 lb)
Dimensions (W x D x H)	195 x 268 x 110 mm (7.68" x 10.55" x 4.33")
OS Support	
XPe / XP Pro / W7 Pro / WS7E	
Ordering Information	
FPC-7502	Barebone system w/ 1 x PCIe x1 slot and w/o storage device, CPU and memory



» Fanless Design



# Dimensions



## Optional Accessories

PAC-B120W-FSP	19V/6.32A 120W AC/DC adapter kit	
WMK-7000	Wall-mount kit for FPC-7XXX Series	
CBL-7100-COM	4 x COM ports converter cable	

## Optional Configuration (CTOS\* Kit)

MK-3C-2G-1	DDR3-1333 2GB SDRAM DIMM1 kit	
MK-3C-2G-2	DDR3-1333 2GB SDRAM DIMM2 kit	
MK-3C-4G-1	DDR3-1333 4GB SDRAM DIMM1 kit	
MK-3C-4G-2	DDR3-1333 4GB SDRAM DIMM2 kit	
80GB SSD	Intel® 2.5" 80GB SATAIII SSD kit	
HSPA-SI1400	HSUPA 3.75G module kit & internal wiring	
WIFI-AT2300	Atheros AR9462 Wi-Fi module w/ 20cm internal wiring	
Core™ i7-620M	Intel® Core™ i7-620M 2.66GHz w/ 4M cache	
Core™ i5-520M	Intel® Core™ i5-520M 2.4GHz w/ 3M cache	
Celeron® P4500	Intel® Celeron® Processor P4500 dual-core 1.86GHz w/ 2M cache	
ANT-H11	1 x 2dBi HSUPA antenna	
ANT-D11	1 x Wi-Fi dual-band 2.4G/5G antenna	

\*CTOS means Configure-to-Order Service.



All specifications are subject to change without notice.