

# Rigid-772

Extreme Rugged Intel® Core™ i3-3120ME Fanless Embedded Controller



## Features

- **Wide Operating Temperature (-40 ~70°C)**
- **Fanless Design**
- Wide-Range DC Power Input (9 ~36V)
- iAMT supported
- Various Video Interfaces (DVI-I + DVI-D) supported
- Optional Wi-Fi or HSUPA Wireless Connectivity supported
- Rugged Design for Shock/Vibration Protection
- Memory support up to 16GB (DDR3)
- RAID 0, 1 support
- Intel® SSD compatible

## System

CPU	Intel® Core™ i3-3120ME 2.4GHz
Memory	2 x 204-pin DDR3 SO-DIMM sockets, supporting 1333/1600MHz SDRAM up to 16GB 4GB WT DDR3 memory module installed
Chipset	Intel® QM77
Graphics	Integrated Intel® HD 4000
ATA	2 x Serial ATA ports with 600MB/s HDD transfer rate 2 x eSATA
LAN Chipset	2 x Intel® WG82583V GbE controllers 1 x Intel® WG82579LM GbE PHY w/ iAMT
Watchdog Timer	1~255 levels reset

## I/O

Serial Port	1 x DB-44 female connector COM1/2 are RS-232 COM3/4 are RS-232/422/485 selectable, w/ isolated protection
USB Port	6 x USB 2.0 ports, 4 x USB 3.0 / 2.0 ports 2 x internal USB dongle for software license key (optional)
LAN	3 x RJ-45 ports for GbE
Video Port	1 x DVI-I female connector for Digital/Analog Video output 1 x DVI-D female connector for Digital Video output
Selectable Port	1 x DB25 connector for 1 x DIO (8 x IN, 8 x OUT) port or 1 x LPT/PIO port (either one) default is DIO, can be changed to LPT
Audio	Mic-in/Line-out
Expansion Bus	1 x Mini-card slot interconnected with SIM card socket for optional Wi-Fi or HSUPA module 1 x SIM socket/1 x CFast socket (outside accessible) 1 x PCIe x16 slot + 1 x PCIe x8 slot (via x4 lanes)

## Environmental

Operating Temp.	-40 ~ 70°C (-40 ~ 158°F), ambient w/ air flow
Storage Temp.	-40 ~ 85°C (-40 ~ 185°F)
Operating Humidity	10 ~ 95% @ 70°C (non-condensing)
Vibration	3 Grms/5~500Hz/random operation w/ SSD
Shock	Operating 40G (11ms), Non-operating 60G with SSD

## Qualification

Certification	CE, FCC Class A
Power Requirement	
Power Input	DC 9~36V input w/ 4-pin terminal block
Power Consumption	Max. 50W (w/o I/O card)

## Storage

Type	2 x 2.5" drive bays 1 x CFast socket
------	---

## Mechanical

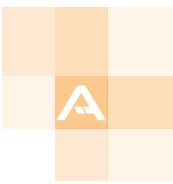
Construction	Aluminum alloy
Mounting	Wall-mount
Weight	7 kg (15.43 lb)
Dimensions (W x D x H)	225 x 267 x 120 mm

## OS Support

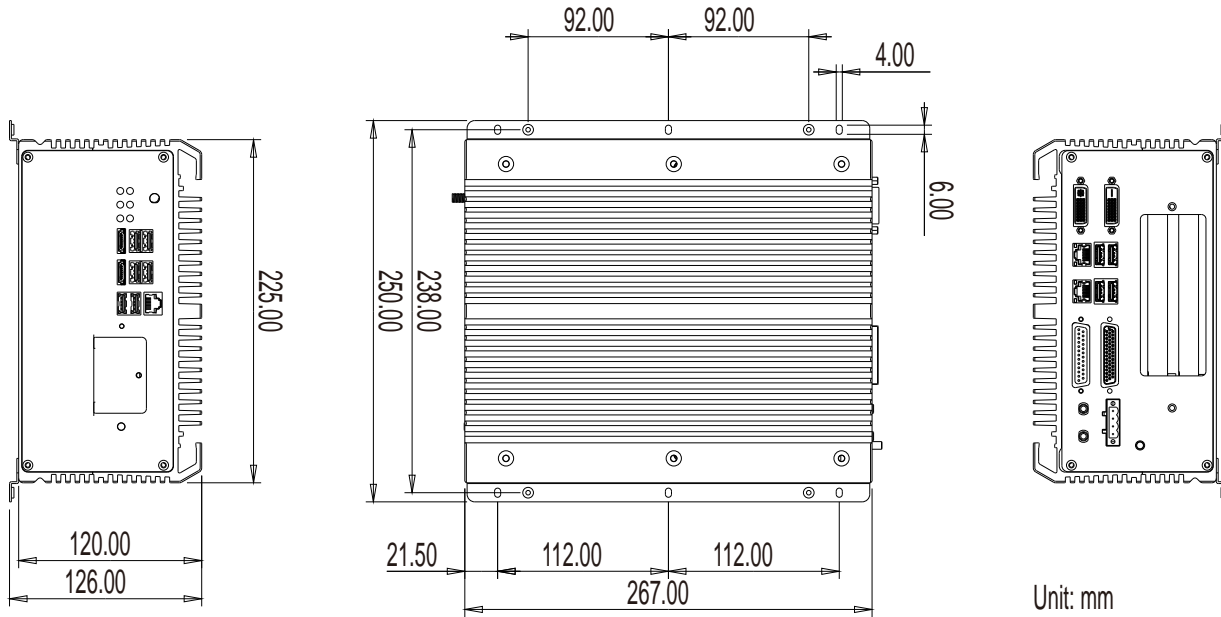
XP Pro / W7 Pro / WS7E

## Ordering Information

Rigid-772 Fanless embedded controller



# Dimensions



Unit: mm

## Standard Accessories

PAC-B120W-FSP 19V/6.32A 120W AC/DC adapter kit



CBL-7100-COM 4 x COM ports converter cable



WMK-7000 Wall-mount kit for FPC-7XXX Series



## Optional Configuration (CTOS\* Kit)

80GB SSD Intel® 2.5" 80GB SATAIII SSD kit



HSPA-SI1400 HSUPA 3.75G module kit & internal wiring



WIFI-AT2300 Atheros AR9462 Wi-Fi module w/ 20cm internal wiring



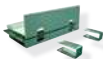
ANT-H11 1 x 2dBi HSUPA antenna



ANT-D11 1 x Wi-Fi Dual-band 2.4G/5G antenna



MK-3I-4G-2 Industrial DDR3 4GB SDRAM DIMM2 kit



MK-3I-8G-2 Industrial DDR3 8GB SDRAM DIMM2 kit



UDK-7702 Internal USB dongle kit for FPC-7701/7702



\*CTOS means Configure-to-Order Service.