

P6150

Fanless 15" Industrial Panel PC with Intel® Atom™ D525



Features

- Fanless Design
- Intel® Atom™ D525 1.8GHz Processor
- 15" XGA LED Panel
- Ultra Slim and Compact Mechanical Design
- Supports Wide Range DC Power Input (19-48V)
- Intel® SSD Compatible

System

CPU	Soldered onboard Intel® Atom™ D525 1.8GHz processor
Memory	Soldered onboard 2GB DDR3 SDRAM
Chipset	Intel® ICH8M
LAN	2 x Intel® 82574L Gigabit Ethernet controllers
Watchdog Timer	1~255 levels reset

Storage

Type	1 x 2.5" drive bay for SATA SSD/HDD
CF Type	1 x CF socket

LCD Display

Size/Type	15" TFT LCD Panel
Max. Resolution	1024 x 768, XGA
Max. Colors	262K
Luminance	300 cd/m ²
Touch Screen	5-wire, Analog Resistive

Power System

Power Input	DC 19~48V
--------------------	-----------

Certification

EMC / EMI	CE, FCC Class A
------------------	-----------------



External I/O

Serial Ports	4 x COM ports (COM1-2: RS-232; COM3-4: RS-232/422/485 selectable)
USB Ports	4 USB ports
LAN	2 x LAN RJ-45 connectors
AUDIO	1 x Mic-in , 1 x Line-out
KB/MS	2 x PS2 KB/MS connectors
DC Power In	1 x 3-pin connector
Optional Port	1 x Reserved VGA Port by default, but can be changed; ex. Field-Bus card.

Expansion

Expansion Bus	2 x Mini PCIe Socket , 1x PCIe Slot
----------------------	-------------------------------------

Mechanical

Mounting Type	VESA-100 mounting
Chassis	Panel-mounting chassis, Aluminum Front Bezel and steel chassis
Dimension (W x D x H)	390 x 310 x 74 mm (15.35" x 12.20" x 2.91")
Weight (Net)	6 kg (13.22 lb)

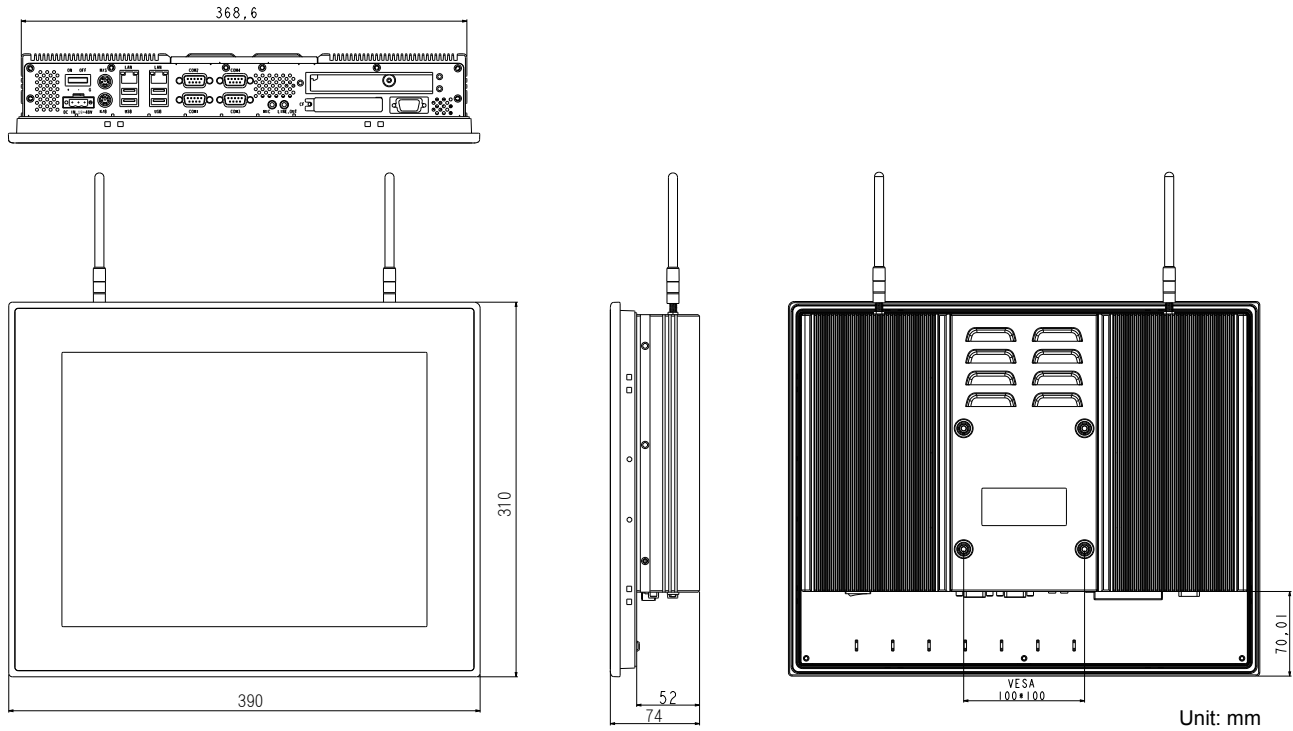
Environmental

Operating Temp.	-20 ~ 50°C (-4 ~ 122°F)
Storage Temp.	-20 ~ 70°C (-4 ~ 158°F)
Operating Humidity	0 ~ 95% RH @40°C (non-condensing)
Vibration	5~500Hz , 2Grms Random (with CF/SSD)
Shock	Operating 15G, 11ms Non-operating 40G, 11ms (with CF/SSD)

Ordering Information

P6150	Intel® Atom™ D525 Industrial panel PC
--------------	---------------------------------------

Dimensions



Optional Accessories

PAC-P065W

65W AC/DC power adapter kit



Power Input 100 ~ 240 VAC

Power Output 19 VDC, 3.4A, 65W

Optional Configuration (CTOS* Kit)

SSD-25040

Intel® 2.5" 40GB SATAII SSD kit



Brand/Type Intel / 2.5 inch

Interface SATAII

Capacity 40GB

Dimensions (W x D x H) 100.45 x 69.85 x 9.5 mm (3.95" x 2.75" x 0.37")

WIFI-IN1350



Intel® Centrino® Advanced-N 6205 WiFi module w/ 20cm & 30cm internal wiring

ANT-D11



1 x WiFi Dual-band 2.4G/5G antenna

*CTOS means *Configure to Order Service*.