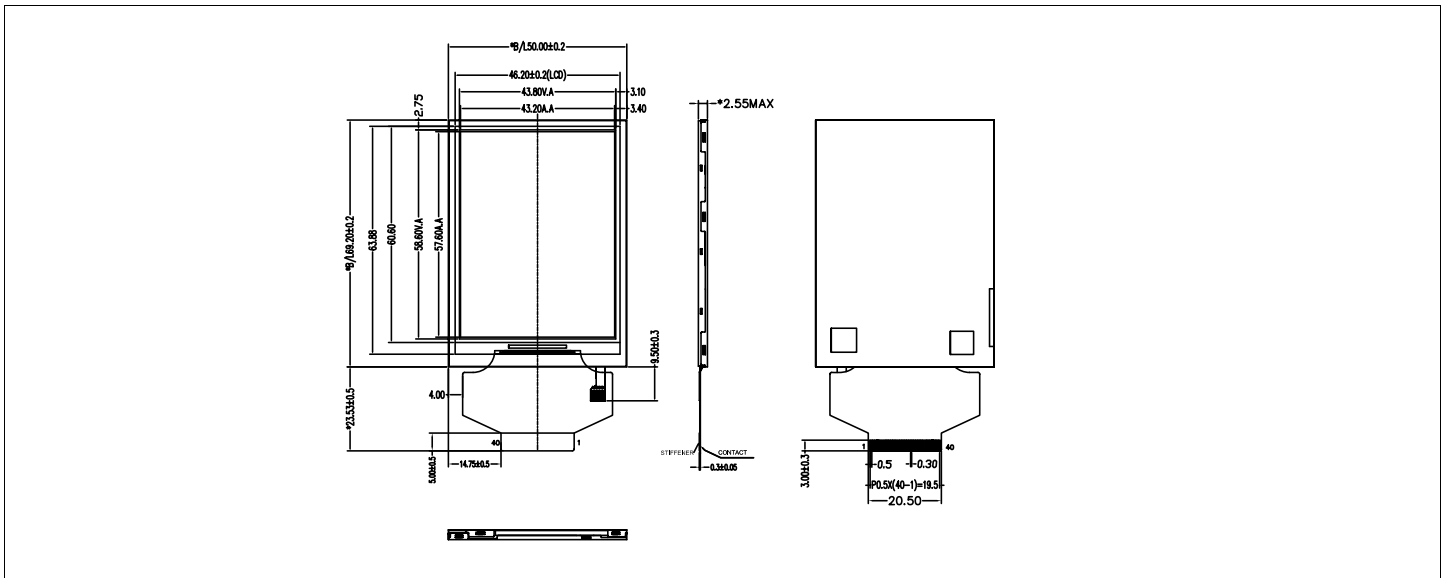


# HDA280-3S

Dimensional Drawing

2.8" ,240 X 320 (TFT) Color Graphics ,LED(White) Backlight



## Features

- Viewing Angle(U/D/R/L).....70/60/70/70 degrees
- High Contrast.....500:1
- Fast Response Time .....25 mS
- Built-in DC-DC Converter
- Built-in Controller.....ILI9341
- Touch Screen optional.....Analog- 4 Wires

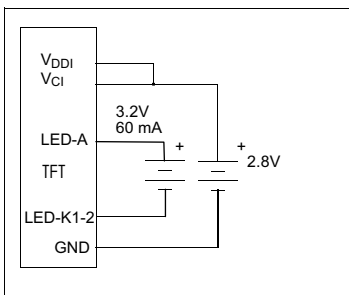
## Physical Data

- Module Size.....50.0W x 69.2H x 2.55T mm
- Viewing Area Size.....43.8W x 58.6 H mm
- Weight.....TBD

## Electrical Characteristics (VDDI=2.8±0.115V 25°C)

PARAMETER	SYM	CONDITION	MIN	TYP	MAX	UNIT
OPERATING VOLTAGE	V <sub>DDI</sub> V <sub>CI</sub>	-	1.65 2.5	2.8 2.8	3.3 3.3	V
INPUT HIGH VOLTAGE	V <sub>IH</sub>	-	0.8V <sub>DDI</sub>	-	V <sub>DDI</sub>	V
INPUT LOW VOLTAGE	V <sub>IL</sub>	-	-0.3	-	0.2V	V
OPERATING CURRENT	I <sub>DD</sub>	-	-	6.0	8.5	mA
LED FORWARD VOLTAGE	V <sub>F</sub>	at I <sub>f</sub> = 60 mA	-	3.2	-	V
LED FORWARD CURRENT	I <sub>F</sub>	at V <sub>f</sub> = 3.2V	-	60	-	mA
BRIGHTNESS	L	Average	-	310	-	cd/m <sup>2</sup>

## Power Supply

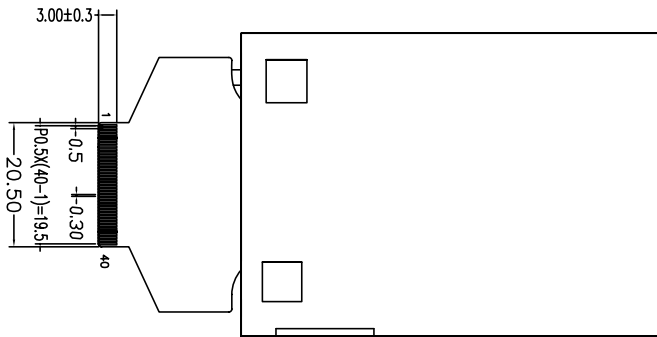
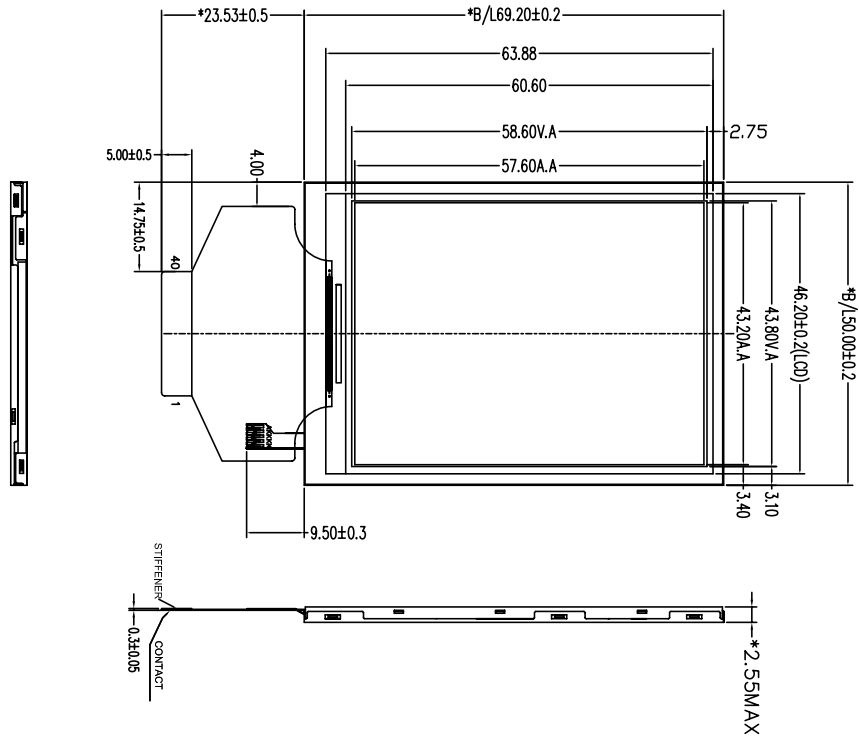


## Absolute Maximum Ratings

PARAMETER	SYMBOL	MIN	MAX	UNIT
SUPPLY VOLTAGE (logic)	V <sub>DDI</sub>	-0.3	3.3	V
SUPPLY VOLTAGE (analog)	V <sub>CI</sub>	-0.3	3.3	V
INPUT VOLTAGE	V <sub>IN</sub>	-0.3	V <sub>DDI</sub>	V
OPERATING TEMPERATURE	T <sub>OP</sub>	-20	70	°C
STORAGE TEMPERATURE	T <sub>STG</sub>	-30	80	°C

## Pin Connections

PIN NO.	SYMBOL		FUNCTION
1	LEDK2	-	LED Backlight (Cathode)
2	LEDK1	-	LED Backlight (Cathode)
3	LEDA	-	LED Backlight (Anode)
4	VDDI	I	Interface Logic Power Suppl. (1.65-3.3V)
5	VCI	I	Analog Voltage Power Suppl. (2.5-3.3V)
6	GND	I	Ground
7	CSX	L	Chip Select Input
8	DCX	H/L	Parameter/Command Control
9	WRX	L	Write Strobe Input
10	RDX	L	Read Strobe Input
11	RESX	L	Reset Input
12-29	DB0-DB17	H/L	Data Bus
30	SDO	H/L	Serial Data Output
31	SDA	H/L	Serial Data Input or Serial. Input/Output
32	LEDPWM	O	Output pin (PWM for LED Control)
33	LEDON	H	Backlight_ON
34	IM0	H/L	Select MCU Interface Mode
35	IM1	H/L	Select MCU Interface Mode
36	IM2	H/L	Select MCU Interface Mode
37	NC	-	No Connect
38	NC	-	No Connect
39	NC	-	No Connect
40	NC	-	No Connect



1	LEDK2	21	DB9
2	LEDK1	22	DB10
3	LEDA	23	DB11
4	WDD1	24	DB12
5	VCI	25	DB13
6	GND	26	DB14
7	CSX	27	DB15
8	DCX	28	DB16
9	WRX	29	DB17
10	RDX	30	SD0
11	RESX	31	SDA
12	DE0	32	LEDPWM
13	DB1	33	LEDON
14	DB2	34	IM0
15	DB3	35	IM1
16	DB4	36	IM2
17	DB5	37	X1(NC)
18	DB6	38	X1(NC)
19	DB7	39	X2(NC)
20	DB8	40	X2(NC)

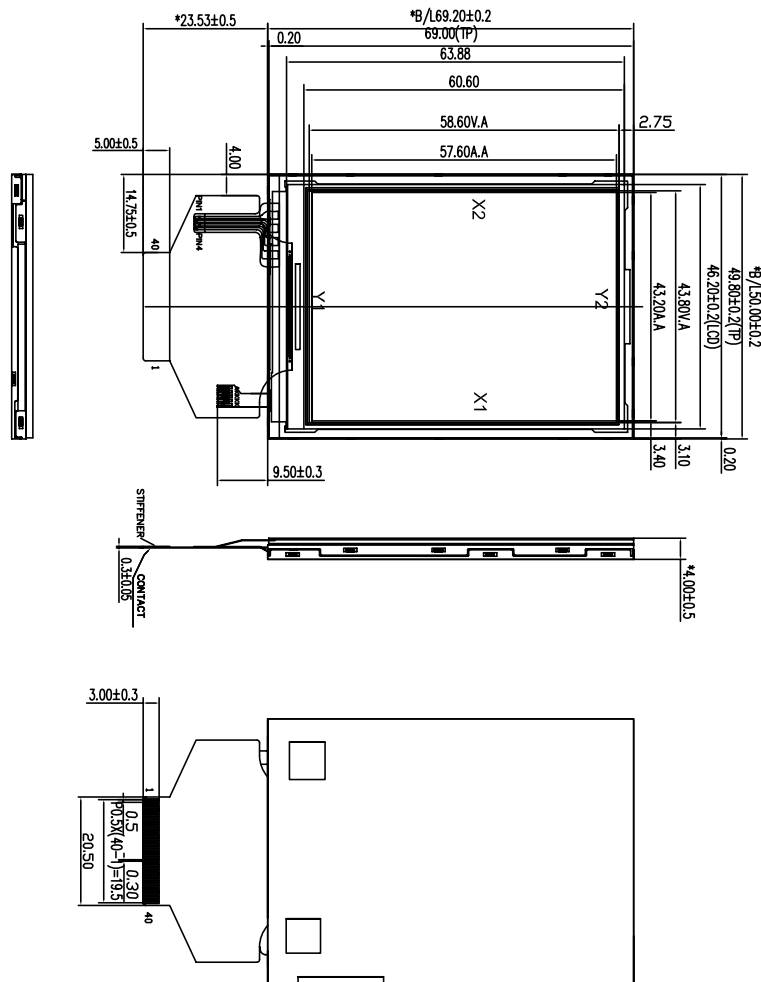
1	Operating Voltage:	Vcc=3.0V typ.
2	Resolution:	240RGB*320
3	Color:	262k
4	Interface:	Serial,Parallel
5	Display type:	Transmissive
6	Viewing Direction:	6:00
7	Operating Temp:	-20°C~70°C
8	Storage Temp:	-30°C~80°C
9	Driver IC:	ILI9341
10	Unspecified tolerance:	F0.2

# HDA280T-3S

Dimensional Drawing

2.8" ,240 X 320 (TFT), With Touch Screen, LED (White) Backlight

With TOUCH SCREEN



1	LEDK2	21	DB9
2	LEDK1	22	DB10
3	LED4	23	DB11
4	VDD1	24	DB12
5	VCI	25	DB13
6	GND	26	DB14
7	GSK	27	DB15
8	DCX	28	DB16
9	WRX	29	DB17
10	NDX	30	SD0
11	RESX	31	SDA
12	DB0	32	LEDPWM
13	DB1	33	LEDOV
14	DB2	34	IM0
15	DB3	35	IM1
16	DB4	36	IM2
17	DB5	37	X1
18	DB6	38	Y1
19	DB7	39	X2
20	DB8	40	Y2

TOUCH PANEL PIN

PIN	WIRING
1	Y2
2	X2
3	Y1
4	X1

1	Operating Voltage:	Vcc=3.0V typ.
2	Resolution:	240RGB*320
3	Color:	262k
4	Interface:	Serial, Parallel
5	Display type:	Transmissive
6	Viewing Direction:	6:00
7	Operating Temp:	-20°C~70°C
8	Storage Temp:	-30°C~80°C
9	Driver IC:	ILI9341
10	Unspecified tolerance:	±0.2