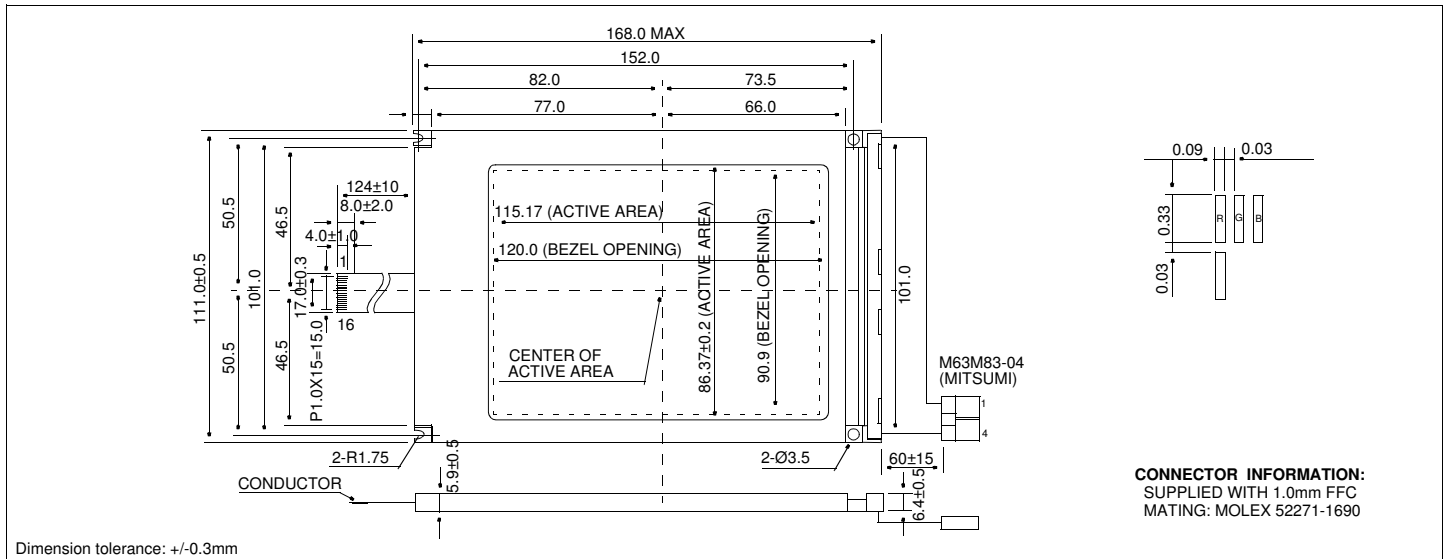


HDM3224-C

320 X 240 Dots Color Graphic CCFL Backlight

Dimensional Drawing



Features

- Backlight.....CCFL
- Options.....Color RGB
- Normal Temperature
- Top/ Bottom Viewing
- Built-in Controller.....None

Physical Data

- Module Size.....168.0W x 111.0H x 6.4T mm
- Viewing Area Size.....120.0W x 90.0H mm
- Dot Pitch.....0.36W x 0.36H mm
- Dot Size.....0.09W x 0.33H mm
- Weight.....280g

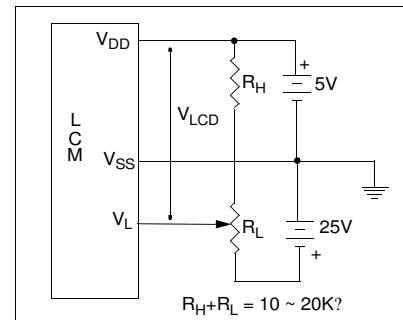
Absolute Maximum Ratings

PARAMETER	SYMBOL	MIN	MAX	UNIT
SUPPLY VOLTAGE	$V_{DD}-V_{SS}$	-0.3	7.0	V
SUPPLY VOLTAGE FOR LCD	V_{EE}	0	42.0	V
INPUT VOLTAGE	V_{IN}	-0.3	$V_{DD}+0.3$	V
OPERATING TEMPERATURE	T_{OP}	0	50	°C
STORAGE TEMPERATURE	T_{STG}	-20	60	°C

Electrical Characteristics ($V_{DD}=5.0\pm 0.25V$ 25°C)

PARAMETER	SYM	CONDITION	MIN	TYP	MAX	UNIT
SUPPLY VOLTAGE	V_{DD}	-	4.5	5.0	5.5	V
	V_L	-	22.2	22.6	23.0	V
LOGIC SUPPLY CURRENT	I_{DD}	$V_L=22.6V$	-	2.0	6.0	mA
LCD SUPPLY CURRENT	I_{LCD}	$V_L=22.6V$	-	8.0	15.0	mA
CCFL OP. VOLTAGE	V_{FL}	-	-	320	-	V_{rms}
CCFL OP. CURRENT	I_{FL}	-	4	5	6	mA_{rms}
CCFL Power Consumption	P_{FL}	-	-	1.6	-	W
CCFL START VOLTAGE	V_{FLS}	$T_A = 0^\circ C$	-	350	-	V_{rms}
CCFL FREQUENCY	F_{FL}	-	20	35	50	KHz
BRIGHTNESS	L	-	-	67.5	-	cd/m ²
Frame Frequency	FLM	-	115	120	125	Hz
DRIVE METHOD			1/240 DUTY			

Power Supply



Pin Connections

PIN NO.	SYMBOL	LEVEL	FUNCTION
DATA CONNECTOR			
1	FRAME	H	First Line Marker
2	LOAD	H/L	Data Latch
3	CP	H/L	Data shift
4	DISPOFF	H/L	H= On, L= Off
5	V_{DD}	5V	Power supply for logic
6	V_{SS}	0V	Ground
7	V_L	-	Operating voltage for LC
8	D0	H/L	Data bus
9	D1	H/L	
10	D2	H/L	
11	D3	H/L	
12	D4	H/L	
13	D5	H/L	
14	D6	H/L	
15	D7	H/L	
16	V_{SS}	0V	
CCFL CONNECTOR			
1	V_{CFL}	-	Power supply for CCFL
2	NC	-	No Connection
3	NC	-	No Connection
4	V_{CFL}	-	CCFL Ground