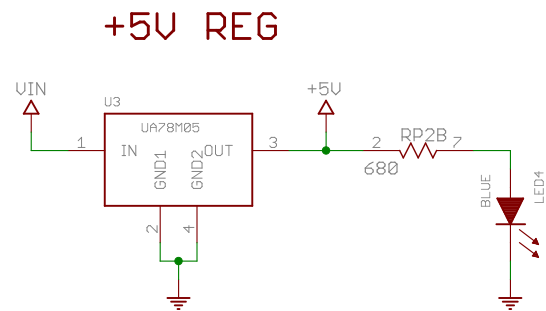
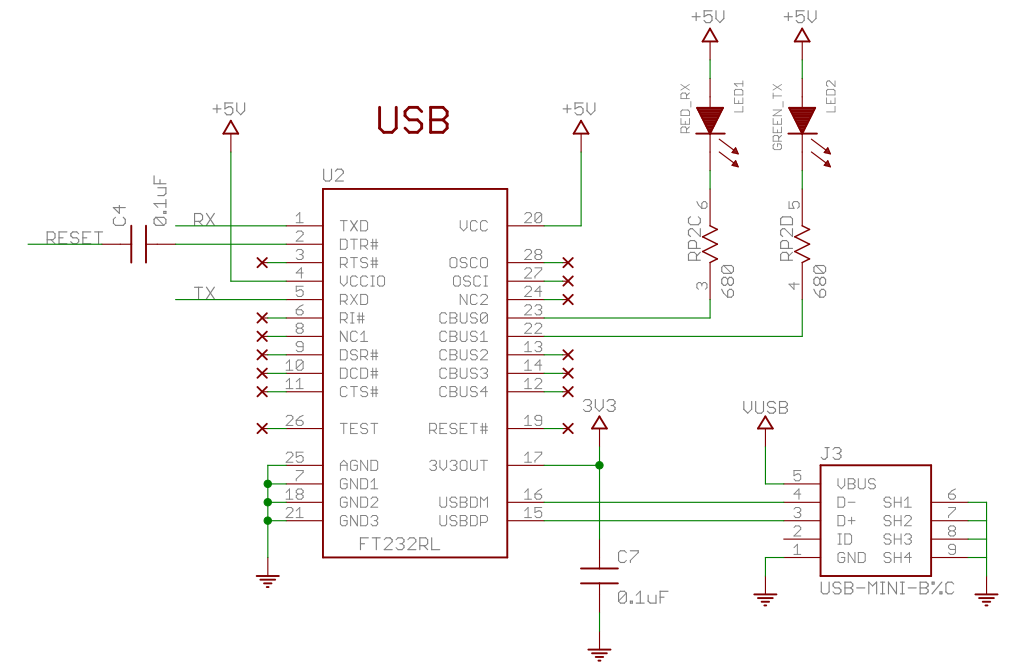
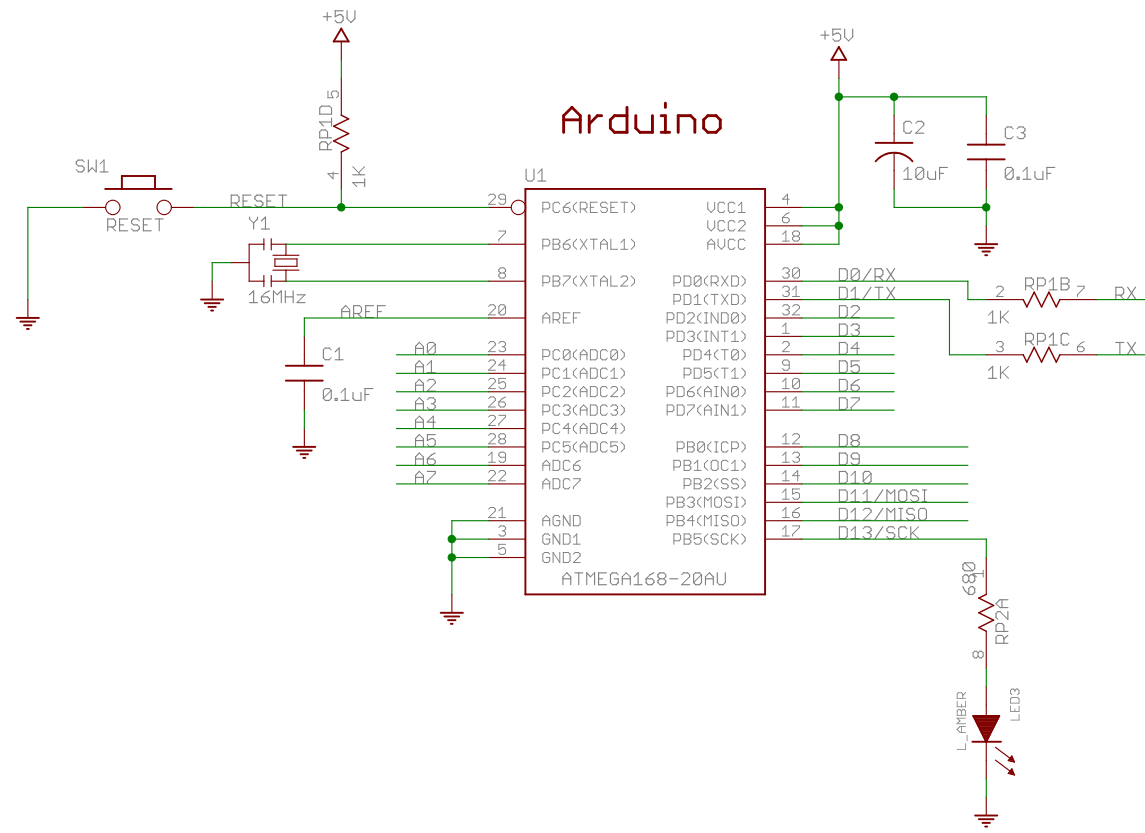
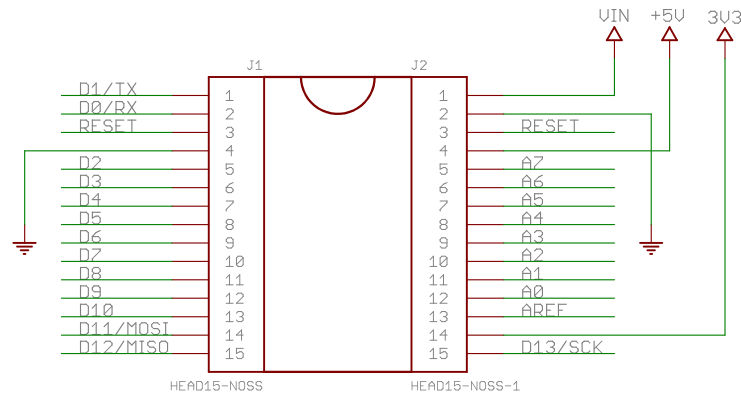


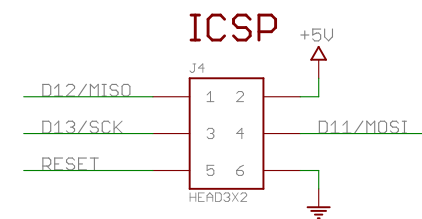
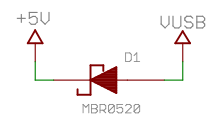
Arduino Nano v3.0

Copyright 2009 under the Creative Commons Attribution Share-Alike 2.5 License

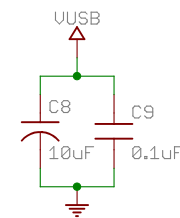
<http://creativecommons.org/licenses/by-sa/2.5/>



+5V AUTO SELECTOR



NOT USED



6

TITLE: Arduino Nano2

Document Number:

REU:
3.0

Date: 7/21/2009 12:32:59 PM

Sheet: 1/1