

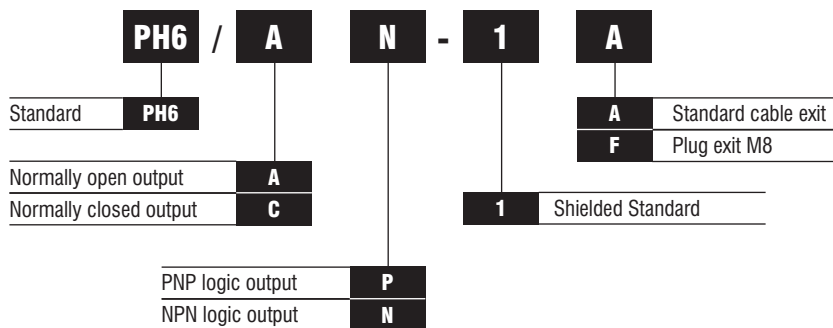
# Miniature Inductive 3-wire DC Proximity Switch PH6



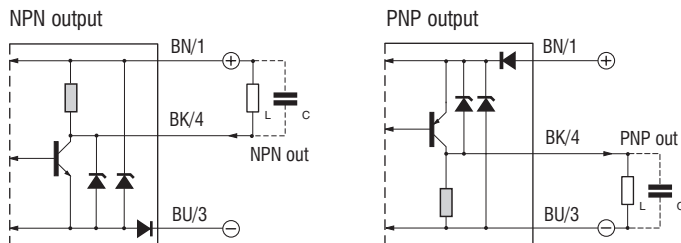
- Miniature 6.5mm diameter in stainless steel housing
- Shielded models
- IP67 Protection degree
- Polarity reverse, transient protection and short circuit
- LED status indicator
- Nominal sensing distance: Shielded Standard 1.5mm



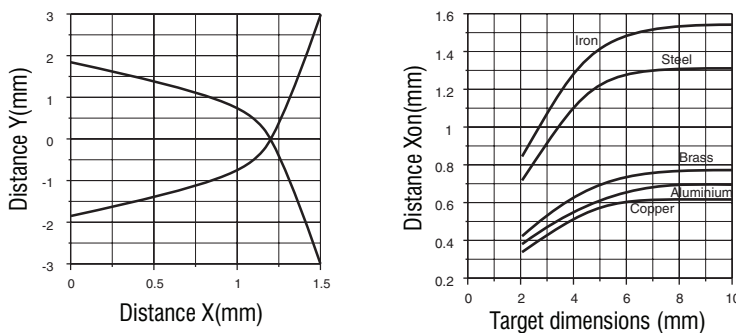
## Options and ordering codes



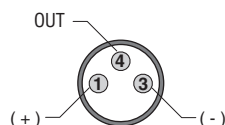
## Wiring diagrams



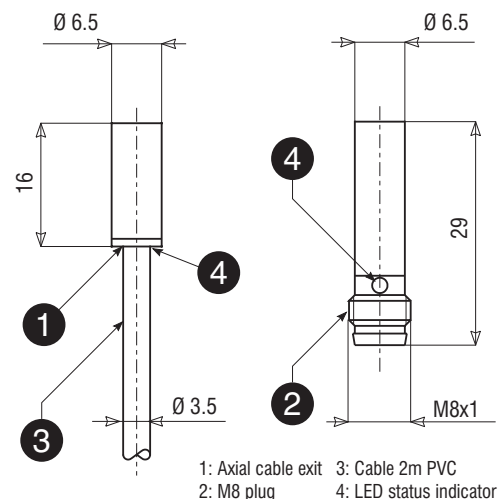
## Characteristic curves (Shielded standard)



## Connectors M8



## Dimensions (mm)



## Specifications

Model	PH6
Differential travel	10% typical
Repeatability	5.00%
Supply voltage	10-30 VDC
Ripple	20% maximum
Maximum consumption	10mA
Switching frequency	2KHz
Output type	NPN or PNP
Output state	NO or NC
Load current	200mA maximum
Residual output voltage	2V max. IL=200mA
Leakage current	<10µA
Time before switch operation	10ms
Short circuit (auto reset)	yes
Transient protection	yes
Polarity reversal protection	yes
LED status indicator	yes
Protection degree	IP67
Temperature range	-25o +70o C
Temperature drift	10% Sr
Housing material	Stainless steel
Lens material	PBT
Weight (approx.)	42g cable or 12g plug