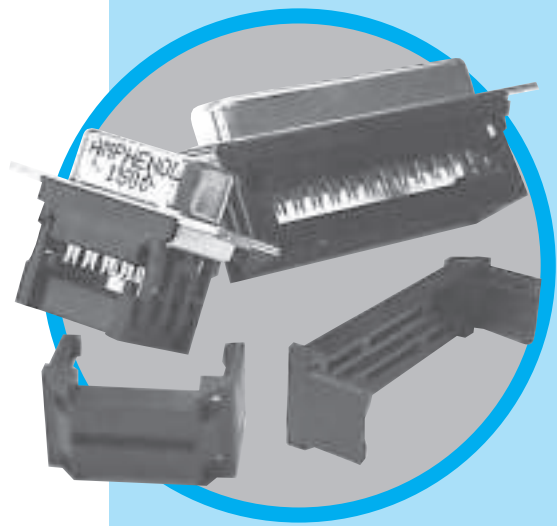


# DFR

D-Sub connectors - Stamped and Formed Contacts

## FLAT RIBBON D-SUB CONNECTORS



CHARACTERISTICS

### Specifications

- Connectors according to MIL C24308

| Materials and Platings |   |
|------------------------|---|
| <b>Shells</b>          | Steel with nickel plating   |
| <b>Insulator</b>       | Glass-filled thermoplastic, UL 94V-0  |
| <b>Pin contacts</b>    | Brass, selected gold in mating area; 2.54µm (100µ") min. tin on termination area over 1.27µm (50µ") min. nickel           |
| <b>Socket contact</b>  | Phosphor bronze, selected gold in mating area; 2.54µm (100µ") min. tin on termination area over 1.27µm (50µ") min. nickel |
| <b>Rear insert</b>     | Brass, 2.54µm (100µ") min. nickel plated  |
| <b>Screwlock</b>       | Brass, 2.54µm (100µ") min. nickel plated  |

| Electrical Data              |                                  |
|------------------------------|----------------------------------|
| <b>Current rating</b>        | 5A                               |
| <b>Voltage rating</b>        | 250V AC/rms 60Hz                 |
| <b>Withstanding voltage</b>  | 1000V AC/rms 60Hz for one minute |
| <b>Insulation resistance</b> | 1000MΩ                           |
| <b>Contact resistance</b>    | 20mΩ max                         |

| Climatic Data                |                 |
|------------------------------|-----------------|
| <b>Operating temperature</b> | -40°C to +125°C |

| Mechanical Data                        |  |               |
|--|--|---------------|
| <b>Single contact insertion force</b>  | 0.54kg (1.19lb) max  |               |
| <b>Single contact withdrawal force</b> | 0.06kg (0.13lb) min  |               |
| <b>Mating and unmating force</b>       | Unit: kg ( lb)   |               |
|  | No. of Cts   | Mate (max)    |
|  | 9 (size E)   | 3.05 (6.74)   |
|  | 15 (size A)  | 5.09 (11.24)  |
|  | 25 (size B)  | 8.44 (18.66)  |
|  | 37 (size C)  | 12.51 (27.65) |
|  |  | Unmate (min)  |
|  |  | 0.36 (0.79)   |
|  |  | 0.46 (1.01)   |
|  |  | 0.81 (1.8)    |
|  |  | 1.1 (2.47)    |
| <b>Standard plating thicknesses</b>    | <ul style="list-style-type: none"> <li>• gold flash</li> <li>• 0.4µm (15µ") gold</li> <li>• 0.76 µm (30µ") gold</li> </ul> |               |

DESCRIPTION

These connectors are suitable for compact requirement of modern peripheral equipment.

Special contact design allows usage of standard 1.27mm (.05") flat cable. Suitable with all standard D-Sub hoods.

*Simplify  
Your cable  
assemblies!*

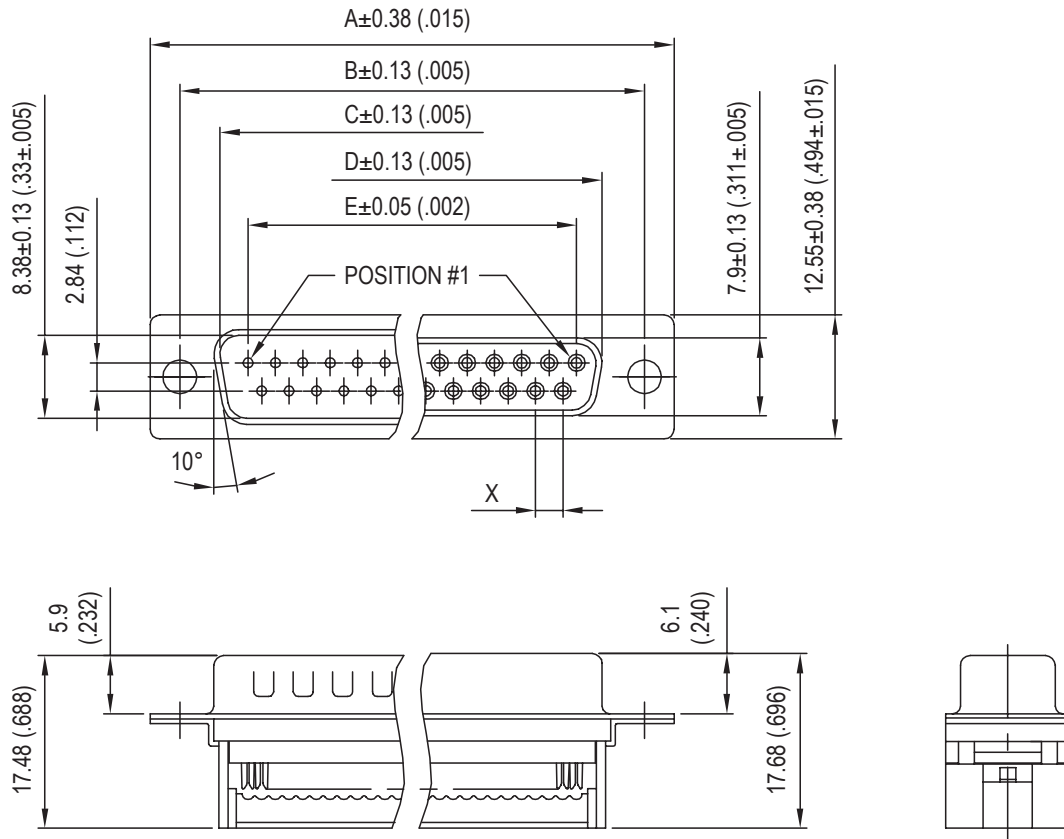
APPLICATIONS

- Industrial
- Telecom
- Any industry standard I / O connections



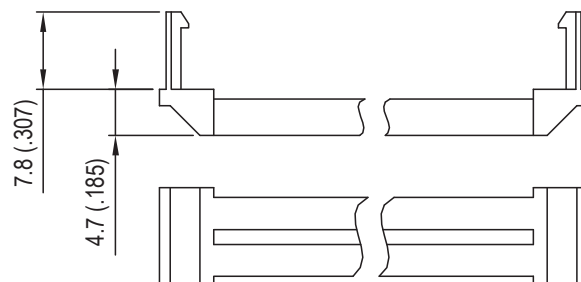
**Amphenol**

DFR / E12

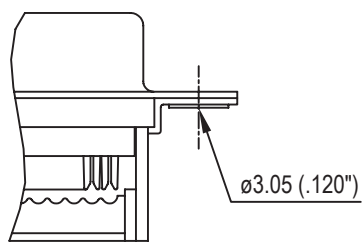


| Nb OF CONTACTS | DIMENSIONS mm (inch) |              |              |              |              |      |
|----------------|----------------------|--------------|--------------|--------------|--------------|------|
|                | A                    | B            | C            | D            | E            | X    |
| 9              | 30.84 (1.21)         | 24.99 (.984) | 16.92 (.666) | 16.24 (.639) | 11.09 (.437) | 2.74 |
| 15             | 39.24 (1.54)         | 33.32 (1.31) | 24.70 (.972) | 24.56 (.967) | 19.39 (.763) | 2.74 |
| 25             | 53.04 (2.09)         | 47.04 (1.85) | 38.96 (1.53) | 38.38 (1.51) | 33.24 (1.31) | 2.77 |
| 37             | 69.32 (2.73)         | 63.50 (2.50) | 55.42 (2.18) | 54.76 (2.16) | 49.86 (1.96) | 2.77 |

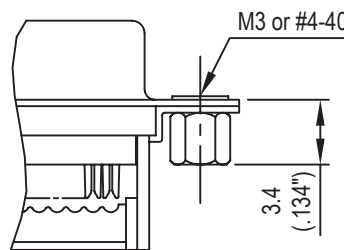
STRAIN RELIEF



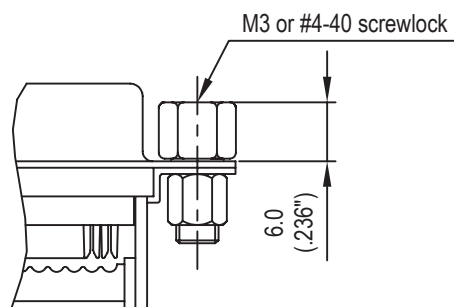
## Panel mounting option



Standard rivet  $\varnothing 3.05\text{mm}$   
no digit

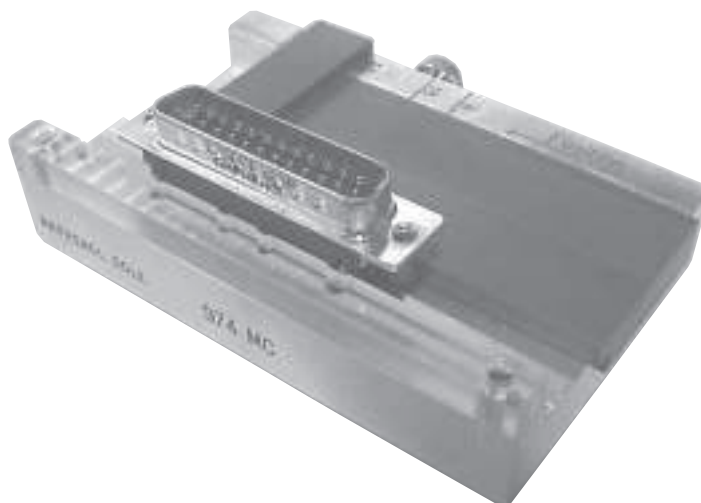


Threaded rear insert  
B / D



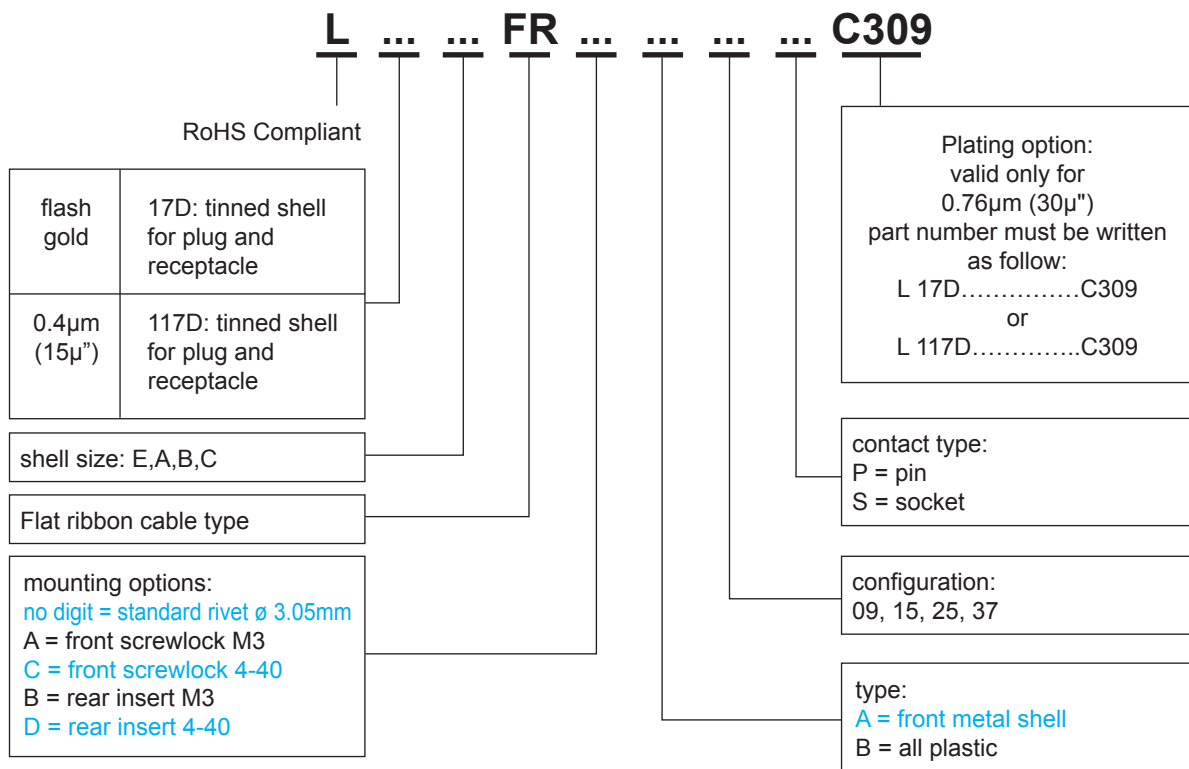
Front female screwlock  
A / C

## Tool



Support for hand termination tool:  
974MC

## How to order



■ : Standard options

**For special request, please consult factory**

**Do not hesitate to contact us for further information**

# Amphenol

**Amphenol IT & Communication Products**

Block A3/A4, The 4th Industrial District of  
Industrial Headquarters, Dong Keng Road  
Gong Ming Town, Shen Zhen China  
Fax: +86(0)755 2754 9955

**Technical Support**

Tel: +86(0)755 2717 7945  
Info-dsub@amphenol.com.cn  
<http://www.dsubconnector.com>