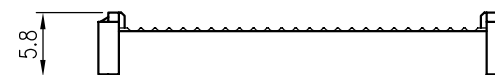
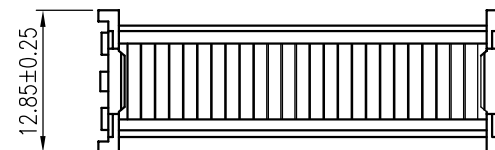
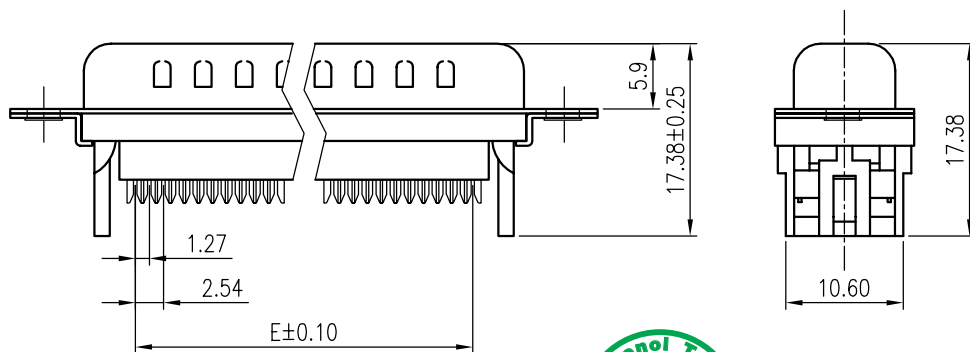
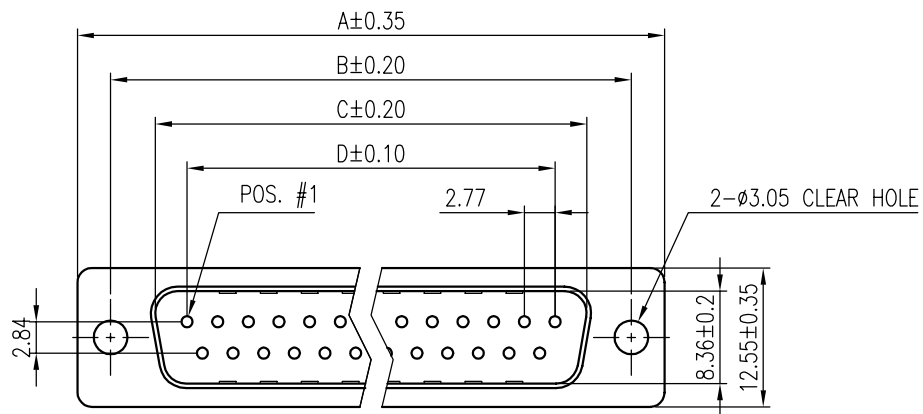


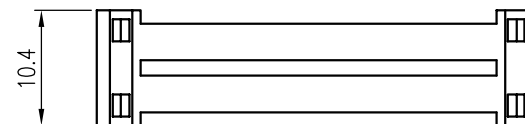
This document is the property of Amphenol Corporation and is delivered on the express condition that it is not to be disclosed, reproduced or used, in whole or in part, for manufacture or sale by anyone other than Amphenol Corporation without its prior consent, and that no right is granted to disclose or to use any information in this document.

# CUSTOMER DRAWING ORIGINAL

REVISIONS				
SYM	ECN No.	DESCRIPTION	DATE	APPROVED
A		RELEASE FOR RoHS	12/15/2005	Henry Ko



IDC COVER



STRAIN RELIEF

**NOTES:**

1. INSULATOR: PBT, UL 94V-0, COLOR- BLACK
2. CONTACT: BRASS, SELECTIVE GOLD PLATED
3. SHELL: STEEL, TIN OR NICKEL OR ZINC CHROMATED PLATED
4. THIS PRODUCT DOESN'T CONTAIN ENVIRONMENTAL HAZARDOUS MATERIAL PER DIRECTIVE 2002/95/EC FOR RoHS.



NO. OF POS.	A	B	C	D	E
37	69.40	63.50	55.42	49.86	45.72
25	53.05	47.04	38.96	33.24	30.48
15	39.20	33.32	25.50	19.39	17.78
9	30.80	24.99	16.92	11.08	10.16

TOLERANCE m/m	APPROVALS	DATE	TITLE	Amphenol® Amphenol Corporation Amphenol Taiwan Corporation	
x. ±0.30	DRAWN Sondra Sang	12/15/05	G17K SERIES FLAT RIBBON CABLE IDC D-SUB, PLUG MATEL SHELL	SCALE N.A. SHEET 1 OF 1	
x.x ±0.25				CHECKED <input type="checkbox"/>	Jack Liu
x.xx ±0.15	APPROVED <input type="checkbox"/>	Jeff Liu		12/15/05	DRAWING NO. DSUB-G17KXX1XX001EU-25
x.xxx ±0.08	UNIT MM	SIZE A4		REV. A	
ANGULAR ±2°	UNLESS OTHERWISE SPECIFIED				